

## SERIES 171N - 172N COMMERCIAL STYLE

- Brass ball valve, FNPT threaded, full port sizes 1/4" to 4".
- Pressure rating 600 WOG-150 WSP.
  - Temperature range -4° F to +366 °F.
  - Blow out proof stem, chrome plated brass ball.
  - P.T.F.E seats, seals, and thrust washer.
  - Adjustable stem packing.
  - 100% electronically tested in the open and closed position at 80 psi.
  - Not to be used for drinking water.
  - Valve to be used in fully open or fully closed position.
  - ANSI B1.20.1 connections.

171N: LEVER HANDLE - size 1/4" to 4".

172N: T HANDLE - size 1/4" to 1".

171C: NICKEL PLATED - size 1/4" to 4".

171S: BALL AND STEM IN STAINLESS STEEL AISI 316 - size 1/4" to 4".

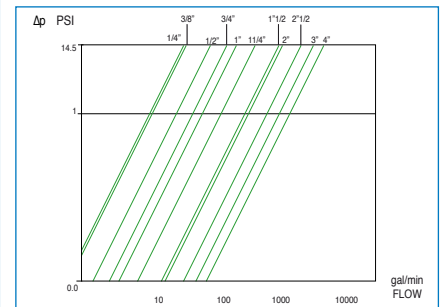
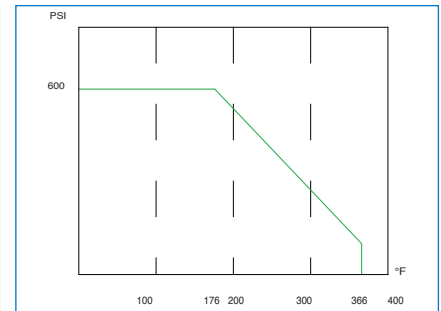
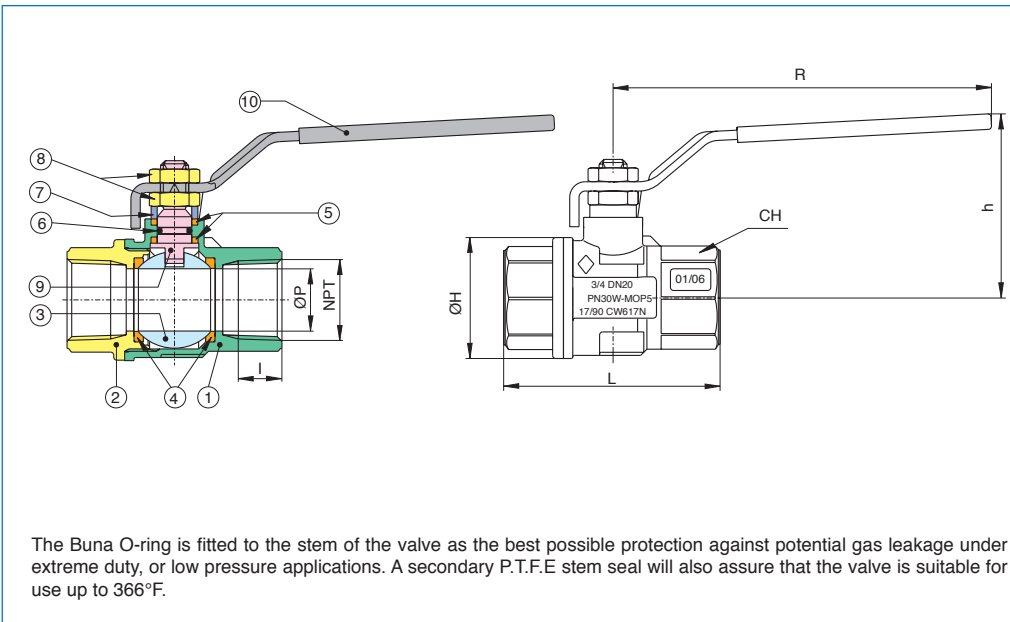
171NCR: CHROME PLATED - size 1/4" to 4".



up to 2"



MEETS THE DESIGN CRITERIA OF MSS\_SP\_110.



N POS	PART NAME	MATERIAL	N PCS
1	BODY	BRASS C38000	1
2	END CONNECTION	BRASS C38000	1
3	BALL	BRASS C38000	1
4	BALL SEAT	P.T.F.E	2
5	THRUST WASHER/STEM SEAT	P.T.F.E	2
6	O-RING	NBR	1
7	PACKING GLAND	BRASS C38500	1
8	NUT	STEEL CL 04	2
9	STEM	BRASS C38500	1
10	HANDLE	Fe DD11 UNI EN 10111	1

SIZE	ØP	I	L	ØH	CH	R	h	Cv	psi	Weight Lbs
1/4"	0.39	0.39	2.02	0.90	0.78	3.78	1.65	6.24	600	0.33
3/8"	0.39	0.40	2.02	0.90	0.78	3.78	1.65	6.94	600	0.30
1/2"	0.59	0.53	2.44	1.25	0.98	3.78	1.81	18.84	600	0.48
3/4"	0.78	0.55	2.71	1.53	1.22	4.76	2.28	34.10	600	0.79
1"	0.98	0.66	3.07	1.92	1.49	4.76	2.44	49.71	600	1.22
1 1/4"	1.25	0.68	3.42	2.32	1.88	5.94	3.00	102.89	600	2.14
1 1/2"	1.57	0.68	3.89	2.87	2.12	5.94	3.23	265.90	600	3.20
2"	1.94	0.69	4.33	3.38	2.63	6.30	3.74	306.36	600	4.08
2 1/2"	2.56	0.93	5.59	4.37	3.54	8.07	4.84	624.28	600	8.27
3"	3.15	1.02	6.46	5.35	4.13	8.07	5.24	1009.25	600	13.01
4"	3.94	1.09	7.60	6.54	5.12	10.24	6.50	1606.94	600	22.05

**WARNING:** This product can expose you to chemicals including lead, which is known to the State of California to cause cancer and birth defects or other reproductive harm. For more information go to [www.p65warnings.ca.gov](http://www.p65warnings.ca.gov).

