

HIGH PERFORMANCE BUTTERFLY VALVE



SERIES 8301 - 9301 CARBON STEEL - STAINLESS STEEL

Manually operated ANSI 300 class, high performance Lug style butterfly valves.

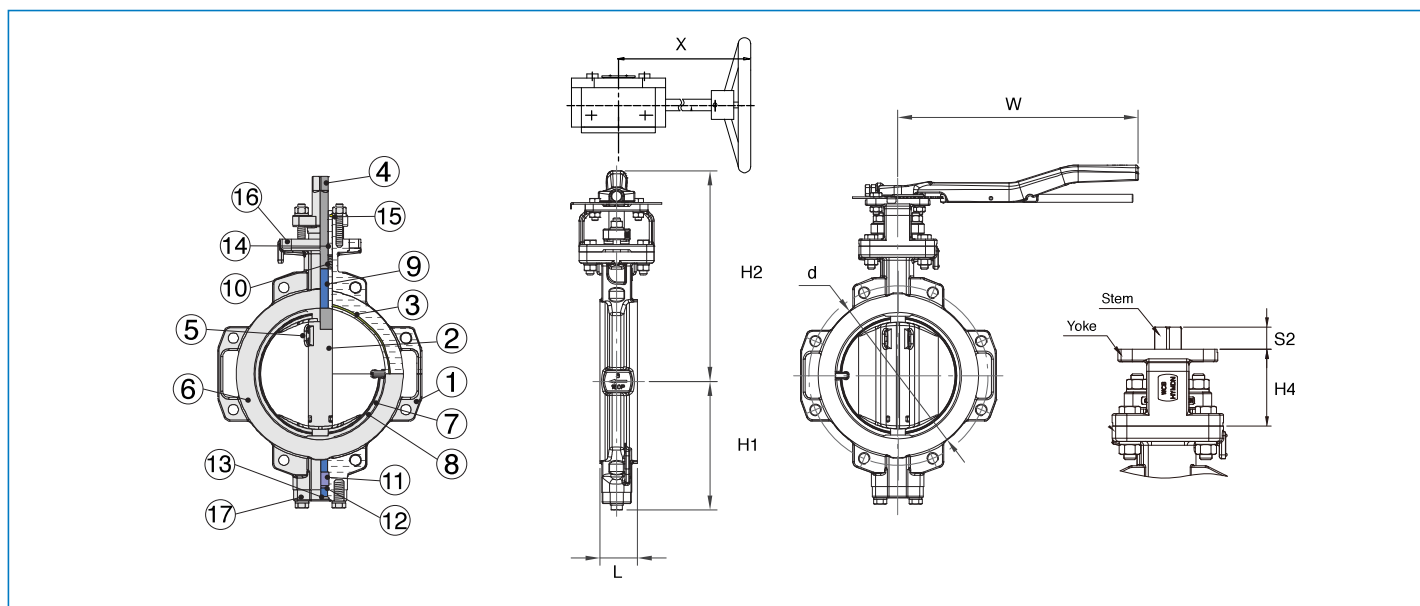
- Temperature range -20°F to 446°F, 150 WSP.
- ISO 5211 direct mounting pad/square stem.
- Compact design, easy access to packing.
- Replaceable seat design.
- NACE MR0175.
- FC170-2 compliant.
- CRNs available upon request.
- Multiple V-ring stem packing.
- RPTFE seats, metal seats upon request.
- 10 position locking handle.
- Soft seat leakage protection - Class VI.
- Metal seat leakage protection - Class V.
- 14" to 24" sizes available upon request.

8301-9301: size 2" to 12".

8321-9321: METAL SEATED VERSION - size 2" to 12".

8341-9341: API 607 FIRE SAFE VERSION - size 2" to 12".

G8301-G9301: GEAR OPERATED VERSION - size 2" to 12".



N POS	PART NAME	MATERIAL		N POS	Size	L	D	D1	d	H1	H2	W	X	H4	S2	Stem	Yoke ISO	Cv	Break Torque	Weight Lbs
1	BODY	A216 Gr. WCB	A351 Gr. CF8M	1	2"	1.77	3.74	5.91	1.81	4.65	9.21	8.66	6.06	2.76	0.63	14	F07	70	336	11.0
2	DISC	A351 Gr. CF8M		1																
3	SEAT	8301 - 9301	Carbon-filled PTFE	1	2 1/2"	1.89	4.41	7.09	2.40	4.96	9.53	8.66	6.06	2.76	0.63	14	F07	150	372	13.0
		8321 - 9321	Inconel 718																	
		8341 - 9341	Fire safe seat																	
4	STEM	A182 Gr. F316		1	3"	1.89	4.96	7.48	2.99	5.28	10.24	8.66	6.06	2.76	0.63	14	F07	227	434	15.0
5	TAPER PIN	A182 Gr. F316L		2																
6	RETAINER RING	A351 Gr. CF8M		1	4"	2.13	6.10	9.06	3.78	5.67	10.63	8.66	6.06	2.76	0.63	14	F07	473	726	20.0
7	SPRING	A182 Gr. F316		1																
8	LOCK PIN	PTFE		1	5"	2.24	7.24	10.04	4.65	7.01	11.42	11.81	6.06	2.76	0.75	17	F07	605	1248	26.0
9	STEM BUSH	PTFE + SS316L	A182 Gr. F316	2																
10	GLAND PACKING	Carbon-filled RTFE		1	6"	2.24	8.46	11.02	5.63	7.48	12.01	11.81	6.06	3.15	0.75	17	F07	1010	1823	29.0
11	THRUST RING	A351 Gr. CF8M		1																
12	THRUST PLATE	PTFE + SS316L		1	8"	2.44	10.51	13.58	7.40	8.43	13.78	15.75	8.82	3.15	0.83	17	F10	2004	3213	46.0
13	GASKET	PTFE		1																
14	GLAND BUSH	A351 Gr. CF8M		1	10"*	2.76	12.83	15.94	9.29	10.00	10.24	-	8.82	3.94	0.94	22	F10	3199	5549	66.0
15	ANTI-BLOWOUT PIN	A182 Gr. F316		1																
16	GLAND FLANGE	A351 Gr. CF8		1	12"*	3.19	14.76	19.09	11.06	11.42	-	8.46	3.94	1.14	27	F12	4672	8717	101.0	
17	BOTTOM COVER	A351 Gr. CF8M		1																

* Bare stem only



BONOMI
NORTH AMERICA