



|               |                  |
|---------------|------------------|
| JOB NAME:     | CONTRACTOR:      |
| JOB LOCATION: | APPROVAL:        |
| ENGINEER:     | CONTRACTOR P.O.: |
| APPROVAL:     | REPRESENTATIVE:  |

## 8E0126-00\*

**700LL 2-WAY STAINLESS STEEL, FNPT THREADED BALL VALVE WITH VALBIA ELECTRIC ACTUATOR AND BRACKET**

**SIZES 1/4" TO 2"**

|      |                |      |            |      |                             |
|------|----------------|------|------------|------|-----------------------------|
| *001 | 12V AC/DC      | *002 | 24V AC/DC  | *003 | 100-240V AC                 |
| *01* | BATTERY BACKUP | *02* | POSITIONER | *04* | BATTERY BACKUP W POSITIONER |

### SPECIFICATIONS

The 8E0126 series features the Bonomi 700LL full port, CF8M stainless steel body, with 15% glass reinforced seats, multiple stem packing, and a drilled and tapped rear mounting pad. A thermal relief hole in the stem slot is standard. The 700LL series is also NACE MR 0175 compliant.

The Valbia VB series actuator housing is made from a high impact resistant techno polymer, and standardly features dual motors, two extra limit switches, a heater & thermostat, a torque limiter, dual ISO patterns, female star drive, position indicator, PG11 connections, and a 75% duty cycle motor. The actuator is also NEMA 4,4X rated. Options include positioning boards, battery backups, or a combination of the two.

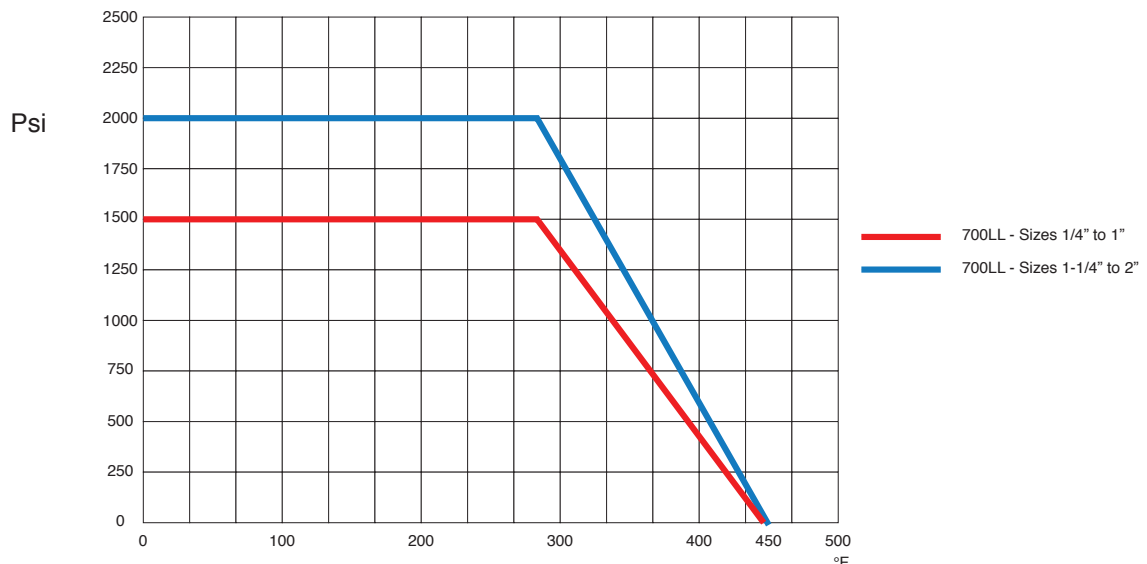
### ACTUATOR FEATURES

- NEMA 4, 4X Housing - CSA, UL approved
- 12V/24V AC/DC and 100-240V AC Models Available
- ISO 5211 dual patterns
- VB015 -12/24V AC - 50% Duty Cycle
- VB030-VB110 - 12/24V DC and 100-240V AC - 75% Duty Cycle
- High-Strength, Impact Resistant IP67 Technopolymer Housing
- Temperature Range -4°F to 131°F
- PG11 Electrical Connection/Optional 1/2" Conduit

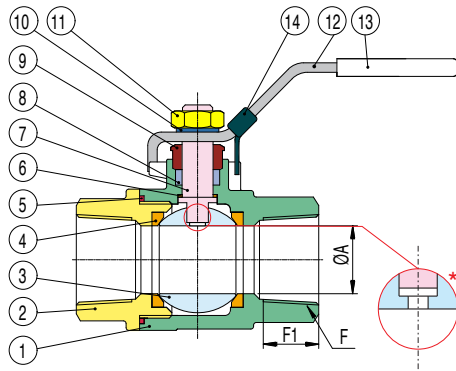
### VALVE FEATURES

- 2-piece CF8M body
- Full port, sizes 1/4" to 2"
- Self adjusting stem packing
- Blow out proof stem design
- 100% air tested under water at 80 psi
- Pressure rating 1/4" to 1" 2000 psi
- 1-1/4" to 2" 1000 psi - 150 psi steam
- Temperature range -4°F to 450°F
- Mounting pad for actuator
- Thermal relief hole in stem slot

### PRESSURE - TEMPERATURE CHART FOR SERIES 700LL



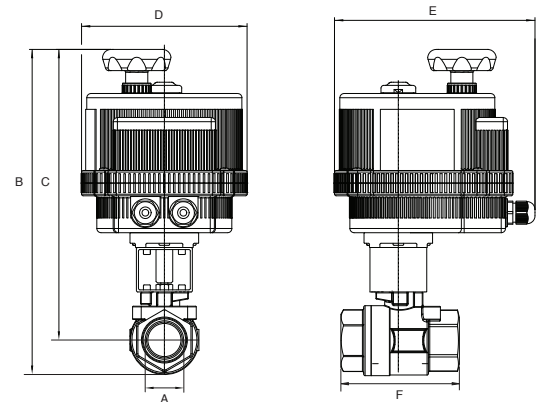
## BILL OF MATERIALS FOR 700LL



| N POS | PART NAME      | MATERIAL   | N PCS |
|-------|----------------|------------|-------|
| 1     | BODY           | CF8M       | 1     |
| 2     | END CAP        | CF8M       | 1     |
| 3     | BALL           | SS 316     | 1     |
| 4     | SEAT           | R.P.T.F.E. | 2     |
| 5     | JOIN GASKET    | P.T.F.E.   | 2     |
| 6     | THRUST WASHER  | P.T.F.E.   | 1     |
| 7     | STEM           | SS 316     | 1     |
| 8     | V RING PACKING | P.T.F.E.   | 1     |
| 9     | GLAND BUSH     | SS 304     | 1     |
| 10    | STEM WASHER    | SS 304     | 1     |
| 11    | STEM NUT       | SS 304     | 1     |
| 12    | HANDLE         | SS 304     | 1     |
| 13    | HANDLE SLEEVE  | VINYL      | 1     |
| 14    | LOCKING DEVICE | SS 304     | 1     |

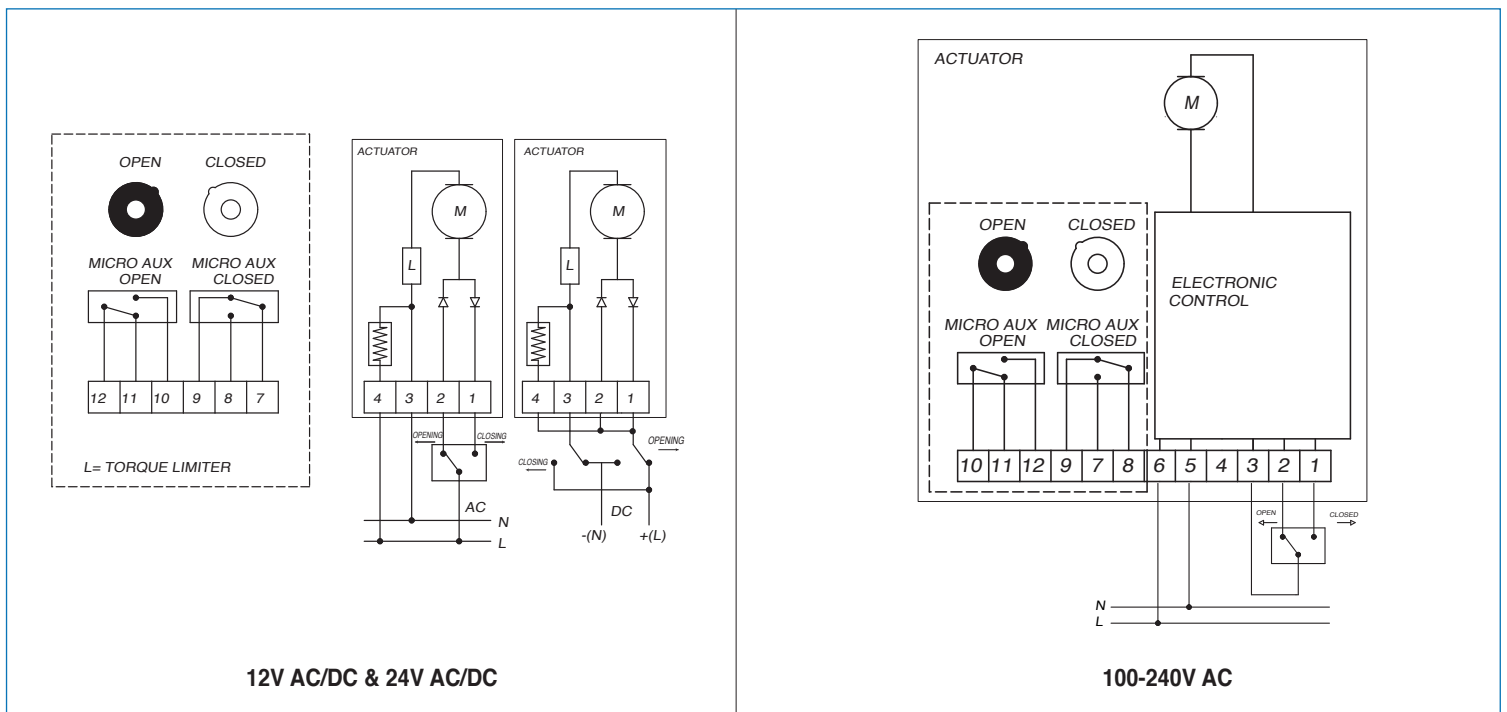
## DIMENSIONS

| Size   | A    | B     | C     | D    | E    | F    | Act.  |
|--------|------|-------|-------|------|------|------|-------|
| 1/4"   | 0.45 | 11.38 | 9.03  | 4.84 | 6.41 | 1.96 | VB015 |
| 3/8"   | 0.49 | 11.38 | 9.03  | 4.84 | 6.41 | 1.96 | VB015 |
| 1/2"   | 0.06 | 12.26 | 9.43  | 4.84 | 6.41 | 2.36 | VB015 |
| 3/4"   | 0.78 | 12.59 | 9.58  | 4.84 | 6.41 | 2.51 | VB015 |
| 1"     | 0.98 | 13.91 | 11.18 | 6.18 | 7.50 | 2.79 | VB030 |
| 1-1/4" | 1.25 | 16.15 | 14.47 | 6.18 | 7.50 | 3.07 | VB030 |
| 1-1/2" | 1.49 | 16.84 | 12.78 | 6.18 | 7.50 | 3.38 | VB030 |
| 2"     | 1.96 | 18.69 | 14.20 | 7.28 | 8.43 | 3.74 | VB060 |



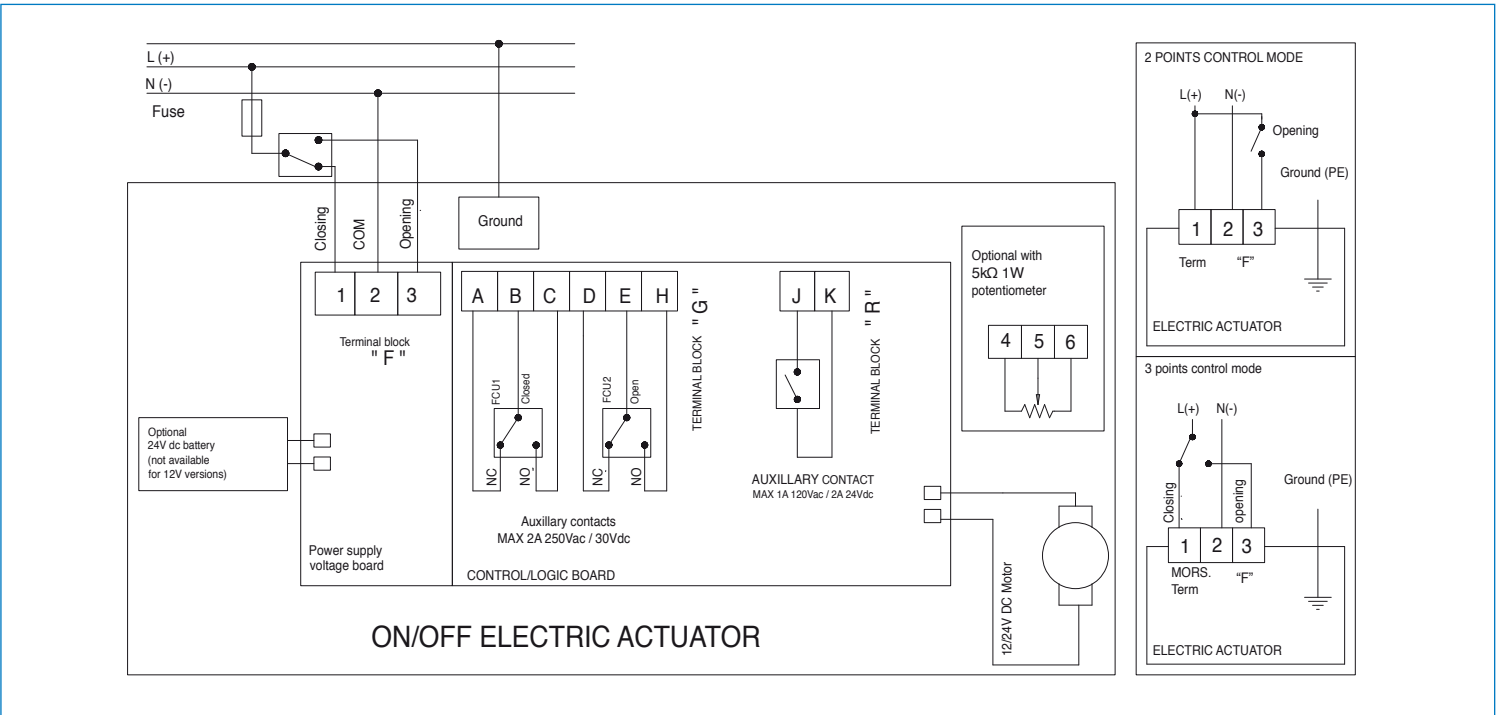
## ON/OFF WIRING DIAGRAM - VB015

12V AC/DC, 24V AC/DC & 100-240VAC



## ON/OFF WIRING DIAGRAM - VB030 -VB060

12V AC/DC, 24V AC/DC & 100-240VAC



## POSITIONER WIRING DIAGRAM - VB030 -VB060

12V AC/DC, 24V AC/DC & 100-240VAC

