



JOB NAME:	CONTRACTOR:
JOB LOCATION:	APPROVAL:
ENGINEER:	CONTRACTOR P.O.:
APPROVAL:	REPRESENTATIVE:

8E0127-00*

600LL 2-WAY CARBON STEEL, FNPT THREADED BALL VALVE WITH VALBIA ELECTRIC ACTUATOR AND BRACKET

SIZES 1/4" TO 2"

*001 12V AC/DC	*002 24V AC/DC	*003 100-240V AC
01 BATTERY BACKUP	*02* POSITIONER	*04* BATTERY BACKUP W POSITIONER

SPECIFICATIONS

The 8E0127 series features the Bonomi 600LL full port, WCB carbon steel body, with 15% glass reinforced seats, multiple stem packing, and a drilled and tapped rear mounting pad. A thermal relief hole in the stem slot is standard. The 600LL series is also NACE MR 0175 compliant.

The Valbia VB series actuator housing is made from a high impact resistant techno polymer, and standardly features dual voltages, two extra limit switches, a heater & thermostat, a torque limiter, dual ISO patterns, female star drive, position indicator, PG11 connections, and a 75% duty cycle motor. The actuator is also NEMA 4,4X rated. Options include positioning boards, battery backups, or a combination of the two.

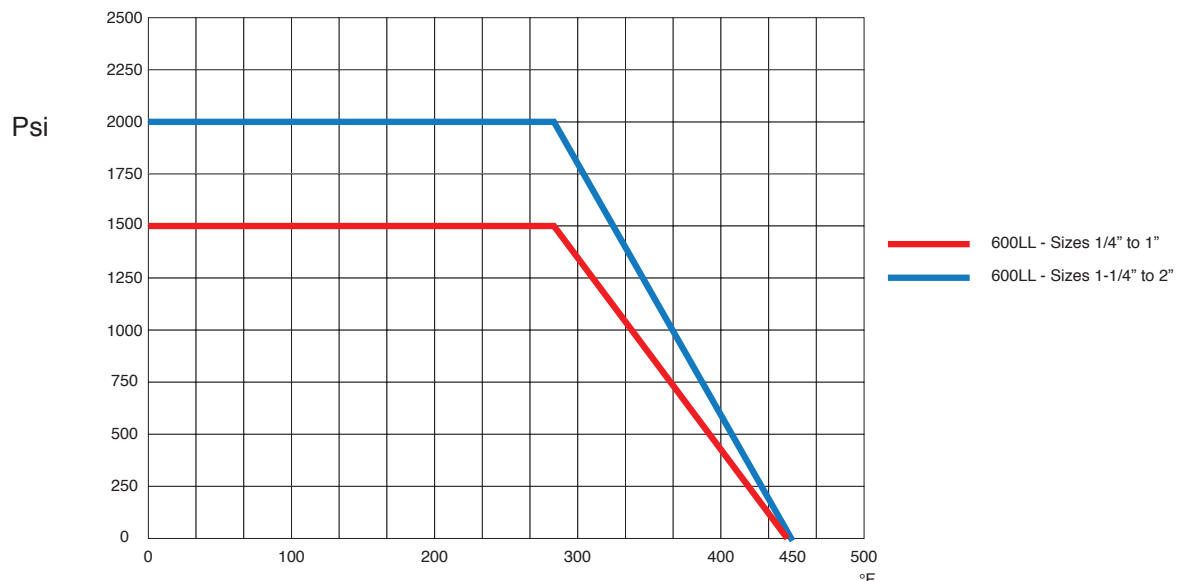
ACTUATOR FEATURES

- NEMA 4, 4X Housing - CSA, UL approved
- 12V/24V AC/DC and 100-240V AC Models Available
- ISO 5211 dual patterns
- VB015 -12/24V AC - 50% Duty Cycle
- VB030-VB110 - 12/24V DC and 100-240V AC - 75% Duty Cycle
- High-Strength, Impact Resistant IP67 Technopolymer Housing
- Temperature Range -4°F to 131°F
- PG11 Electrical Connection/Optional 1/2" Conduit

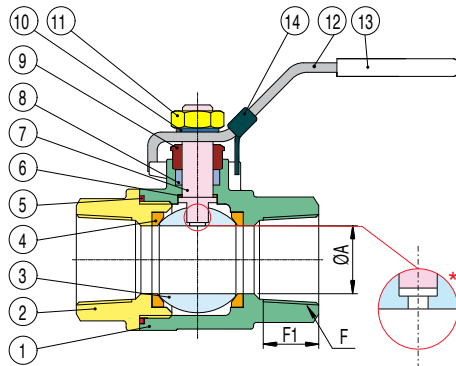
VALVE FEATURES

- 2-piece WCB body
- Full port, sizes 1/4" to 2"
- Self adjusting stem packing
- Blow out proof stem design
- 100% air tested under water at 80 psi
- Pressure rating 1/4" to 1" 2000 psi
- 1-1/4" to 2" 1000 psi - 150 psi steam
- Temperature range -4°F to 450°F
- Mounting pad for actuator
- Thermal relief hole in stem slot

PRESSURE - TEMPERATURE CHART FOR SERIES 600LL



BILL OF MATERIALS FOR 600LL

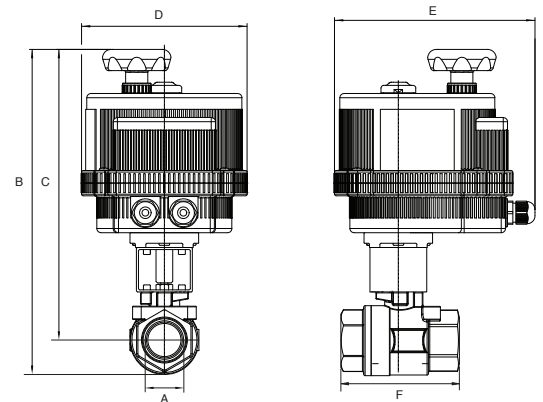


* THERMAL RELIEF HOLE IN THE STEM SLOT.

N POS	PART NAME	MATERIAL	N PCS
1	BODY	WCB	1
2	END CAP	WCB	1
3	BALL	AISI 316	1
4	SEAT	R.P.T.F.E.	2
5	JOIN GASKET	P.T.F.E.	2
6	THRUST WASHER	P.T.F.E.	1
7	STEM	AISI 316	1
8	V RING PACKING	P.T.F.E.	1
9	GLAND BUSH	STEEL	1
10	STEM WASHER	STEEL	1
11	STEM NUT	STEEL	1
12	HANDLE	STEEL	1
13	HANDLE SLEEVE	VINYL	1
14	LOCKING DEVICE	SS304	1

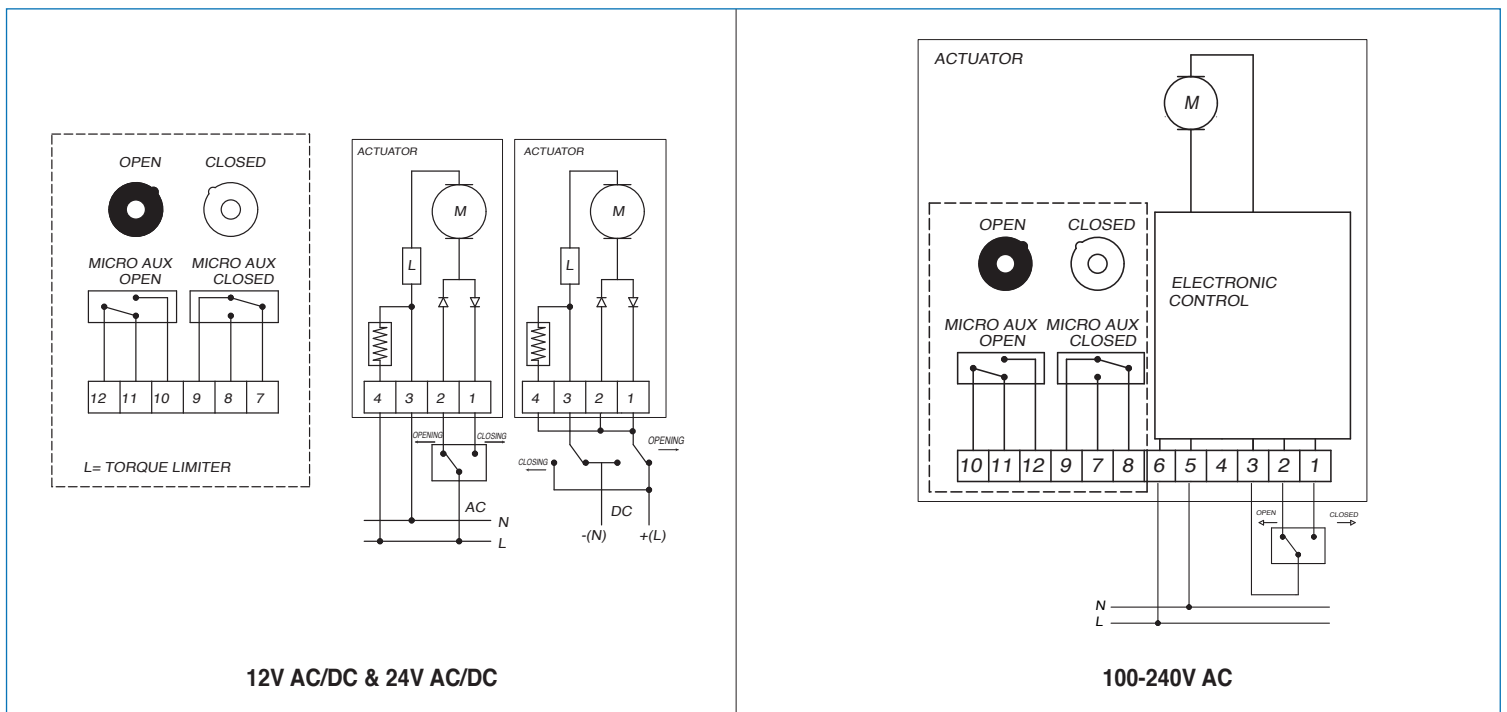
DIMENSIONS

Size	A	B	C	D	E	F	Act.
1/4"	0.45	11.38	9.03	4.84	6.41	1.96	VB015
3/8"	0.49	11.38	9.03	4.84	6.41	1.96	VB015
1/2"	0.06	12.26	9.43	4.84	6.41	2.36	VB015
3/4"	0.78	12.59	9.58	4.84	6.41	2.51	VB015
1"	0.98	13.91	11.18	6.18	7.50	2.79	VB030
1-1/4"	1.25	16.15	14.47	6.18	7.50	3.07	VB030
1-1/2"	1.49	16.84	12.78	6.18	7.50	3.38	VB030
2"	1.96	18.69	14.20	7.28	8.43	3.74	VB060



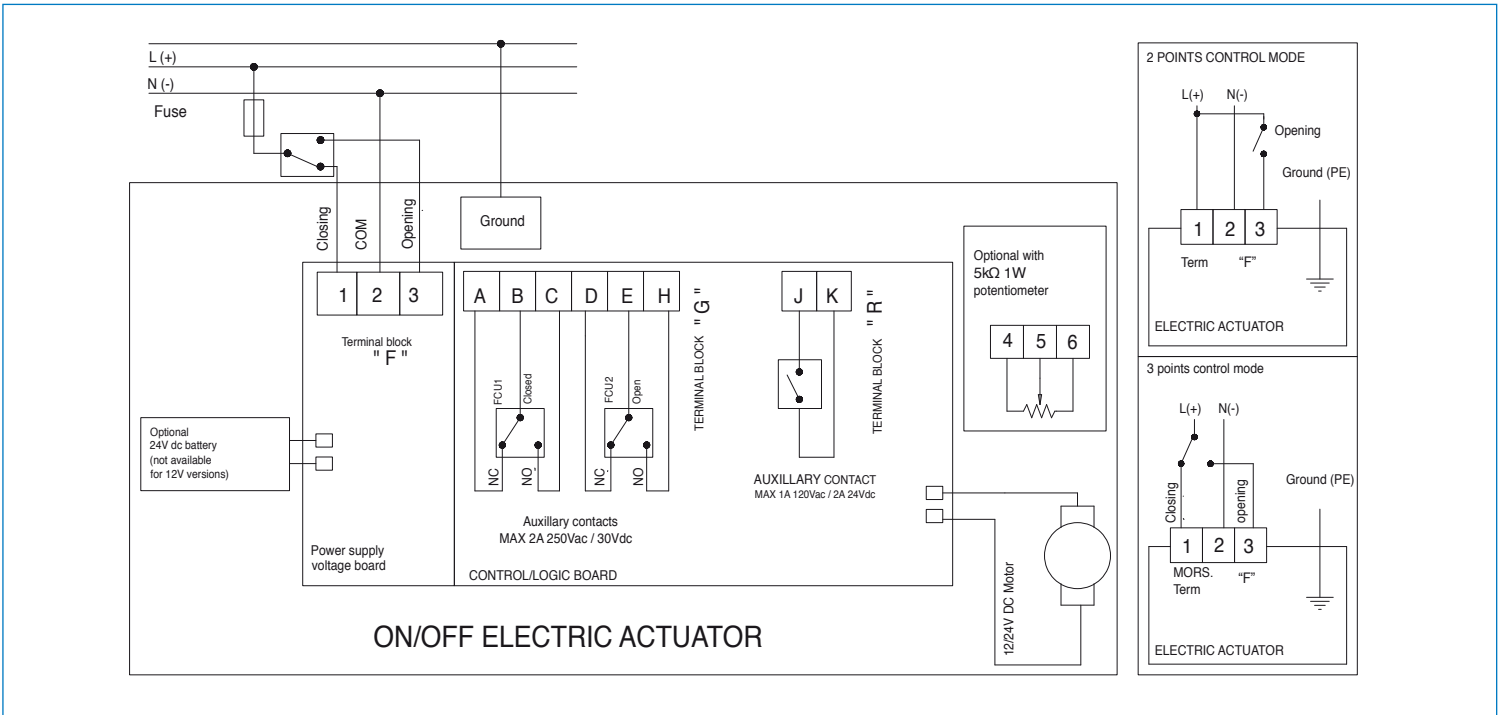
ON/OFF WIRING DIAGRAM - VB015

12V AC/DC, 24V AC/DC & 100-240VAC



ON/OFF WIRING DIAGRAM - VB030 -VB060

12V AC/DC, 24V AC/DC & 100-240VAC



POSITIONER WIRING DIAGRAM - VB030 -VB060

12V AC/DC, 24V AC/DC & 100-240VAC

