



JOB NAME:	CONTRACTOR:
JOB LOCATION:	APPROVAL:
ENGINEER:	CONTRACTOR P.O.:
APPROVAL:	REPRESENTATIVE:

## 8E064-00 \*

**250N DIRECT MOUNT, 2-WAY BRASS, FULL PORT BALL VALVE W ELECTRIC ACTUATOR SIZES 1/4" TO 4"**

## 8E068-00 \*

**253N DIRECT MOUNT, 2-WAY BRASS, SS BALL & STEM FULL PORT BALL VALVE W ELECTRIC ACTUATOR SIZES 1/4" TO 2"**

*001	12V AC/DC	*002	24V AC/DC	*003	100-240V AC
*01*	BATTERY BACKUP	*02*	POSITIONER	*04*	BATTERY BACKUP W POSITIONER

### SPECIFICATIONS

The 8E064 series is a light industrial package featuring a NEMA 4,4X VB series actuator directly coupled to a low torque, 600 psi, full port 250N or 253N ball valve. This series package can be installed either vertically, or horizontally due to the lightweight of the actuator and direct mounting to the ball valve.

The ball valve with its double O-ring, self temperature adjustment stem sealing allows high cycle life and zero stem packing adjustment required. The VB actuator also features a 75% duty cycle, U.L. certified motor, with two additional limit switches, a heater and a thermostat, all contained in a Technopolymer housing.

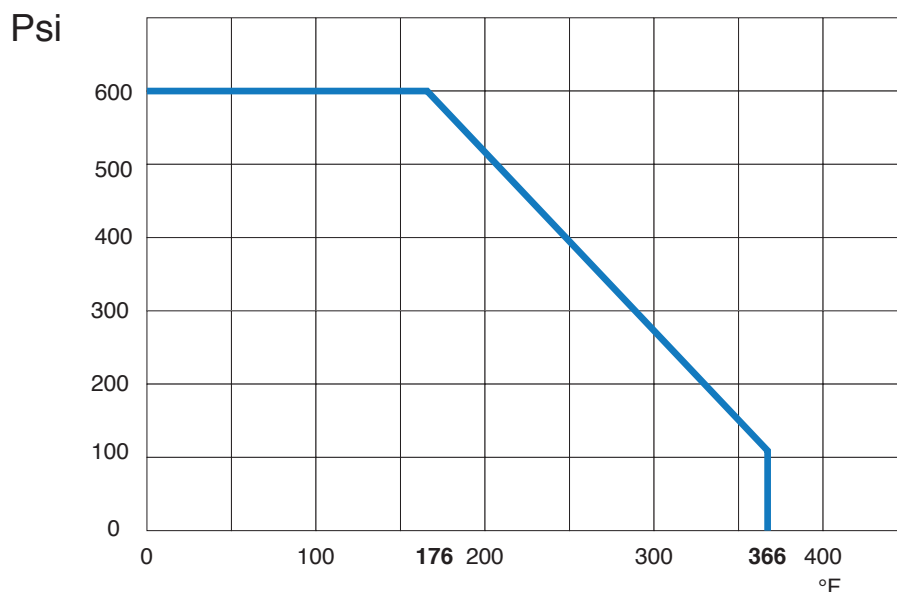
### ACTUATOR FEATURES

- NEMA 4, 4X Housing - CSA, UL approved
- 12V/24V AC/DC and 100-240V AC Models Available
- ISO 5211, F03/F05 base with 11mm female drive
- VB015 -12/24V AC - 50% Duty Cycle
- VB030-VB110 - 12/24V DC and 100-240V AC - 75% Duty Cycle
- High-Strength, Impact Resistant IP67 Technopolymer Housing
- Temperature Range -4°F to 131°F
- PG11 Electrical Connection/Optional
- 1/2" Conduit

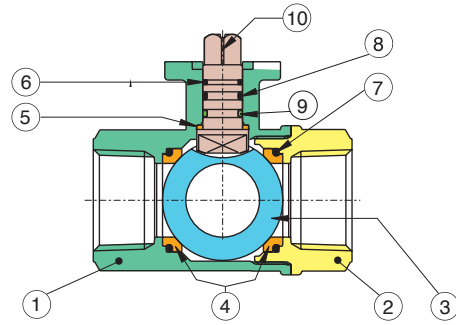
### VALVE FEATURES

- Brass
- Full Port, Sizes 1/4" to 4"
- ISO 5211 pad and square stem
- Pressure rating to 600 WOG
- Low torque design with back up O-ring seats
- Double O-ring stem seal design for extended cycle life
- 100% electronically tested in the open and closed position@80 Psi

### PRESSURE - TEMPERATURE CHART FOR SERIES 250N



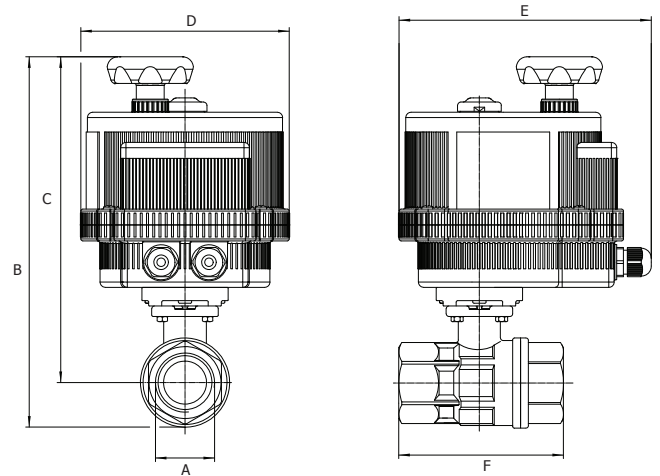
## BILL OF MATERIALS FOR 250N



N POS	PART NAME	MATERIAL	N PCS
1	BODY	BRASS C38000	1
2	END CONNECTION	BRASS C38000	1
3	BALL	Brass C37700	1
4	BALL SEAT	P.T.F.E.	2
5	THRUST WASHER	P.T.F.E.	1
6	STEM SEAL	P.T.F.E.	1
7	O-RING	FKM (Viton®)	2
8	O-RING	EPDM	1
9	O-RING	FKM (Viton®)	1
10	STEM	BRASS C38000	1

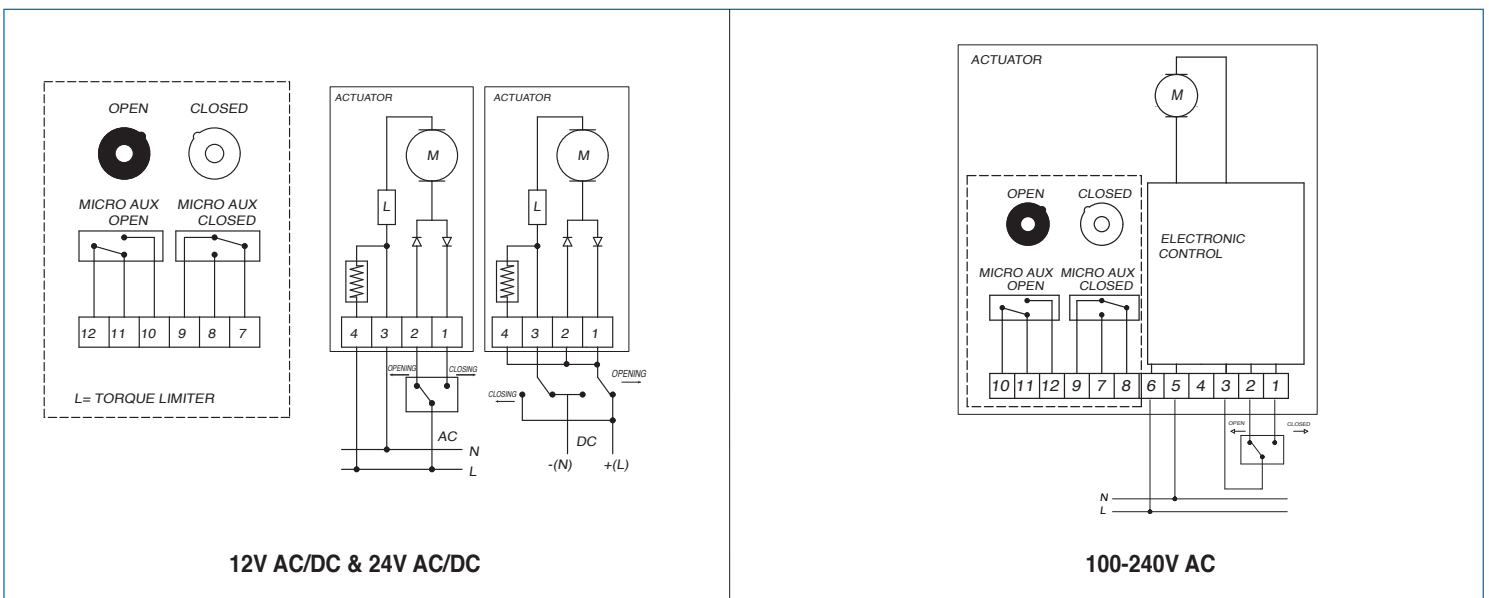
## DIMENSIONS

Size	A	B	C	D	E	F	ACT.
1/4"	.250	7.51	6.85	4.84	6.41	2.64	VB015
3/8"	.375	7.51	6.85	4.84	6.41	2.64	VB015
1/2"	.500	7.51	6.85	4.84	6.41	2.64	VB015
3/4"	.750	7.72	6.93	4.84	6.41	3.00	VB015
1"	1.00	8.33	7.36	4.84	6.41	3.35	VB015
1-1/4"	1.25	8.63	7.50	4.84	6.41	3.66	VB015
1-1/2"	1.50	11.3	9.92	6.18	7.50	4.15	VB030
2"	2.00	12.0	10.2	6.18	7.50	4.80	VB030
2-1/2"	2.50	14.2	11.9	7.28	8.43	6.10	VB060
3"	3.00	14.9	12.3	7.28	8.43	6.89	VB060
4"	4.00	16.9	13.7	8.31	9.33	8.03	VB110



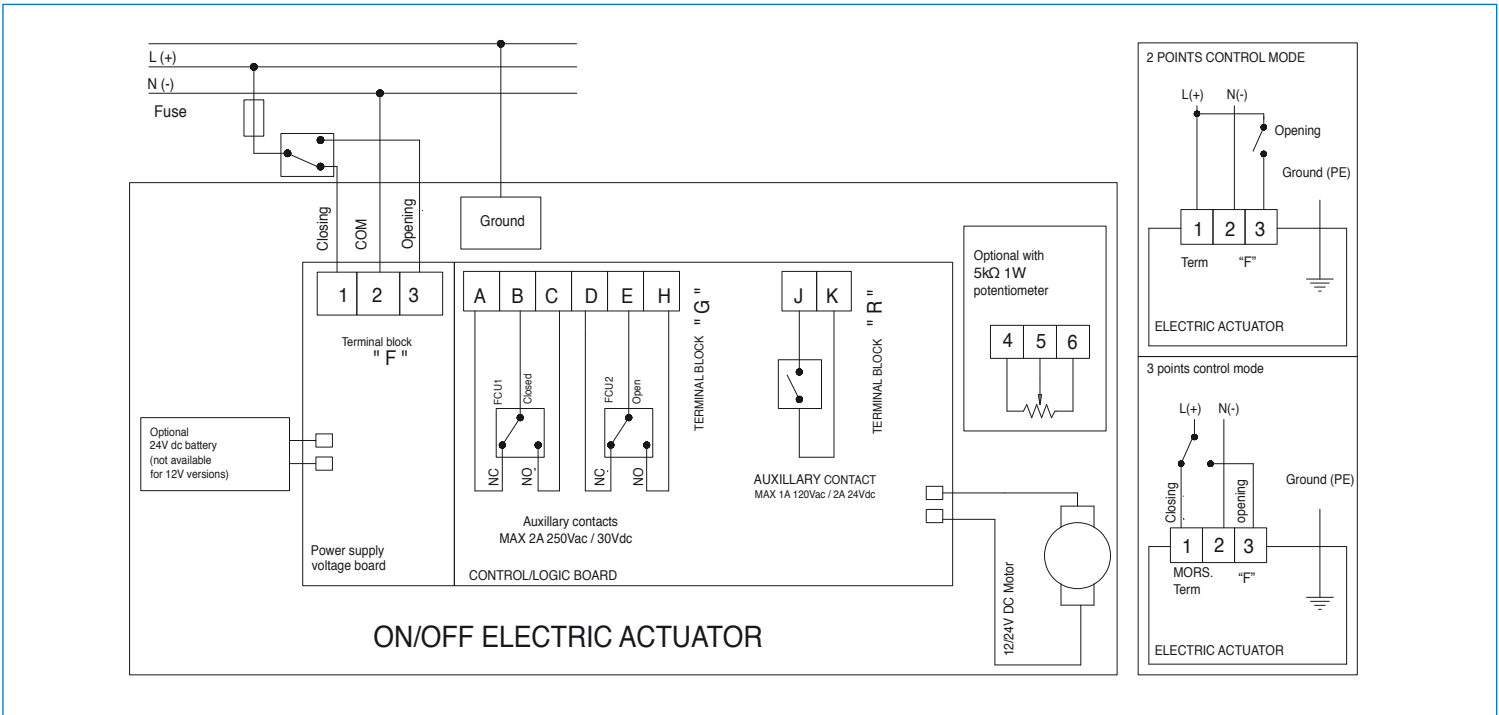
## ON/OFF WIRING DIAGRAM - VB015

12V AC/DC, 24V AC/DC & 100-240VAC



## ON/OFF WIRING DIAGRAM - VB030 -VB 110

12V AC/DC, 24V AC/DC & 100-240VAC



## POSITIONER WIRING DIAGRAM - VB030 -VB 110

12V AC/DC, 24V AC/DC & 100-240VAC

