



JOB NAME:	CONTRACTOR:
JOB LOCATION:	APPROVAL:
ENGINEER:	CONTRACTOR P.O.:
APPROVAL:	REPRESENTATIVE:

8E064LF-00*

250N DIRECT MOUNT, 2-WAY LEAD FREE BRASS, FULL PORT BALL VALVE W PLASTIC ELECTRIC ACTUATOR

SIZES 1/4" TO 4"

*001 12V AC/DC	*002 24V AC/DC	*003 100-240V AC
01 BATTERY BACKUP	*02* POSITIONER	*04* BATTERY BACKUP W POSITIONER

8E068LF-00*

253N DIRECT MOUNT, 2-WAY LEAD FREE BRASS, S/S BALL & STEM FULL PORT BALL VALVE W PLASTIC ELECTRIC ACTUATOR

SIZES 1/4" TO 4"

SPECIFICATIONS

Bonomi North America series 8E064LF/8E068LF lead-free brass automated ball valve package features a NEMA 4,4X VB series actuator and a full port 600 psi lead free brass ball valve. The 8E068LF features a stainless steel ball and stem. The electric actuator is loaded with extras such as: either a dual 100-240VAC or a 24AC/DC motor, a 12VDC option, two additional limit switches, a heat/thermostat, dome position indicator, dual ISO patterns, 75% duty cycle, 1/2" conduit connections and more.

The valve is the very popular 250NLF series, lead-free, full port, low torque, with double O-ring stem seals for temperature fluctuation protection. The 250NLF/253NLF lead free ball valves come in sizes 1/4" - 4", and is NSF 61/372 certified for potable water use.

The valve also features a four point ISO mounting pad, and a square stem for direct mounting.

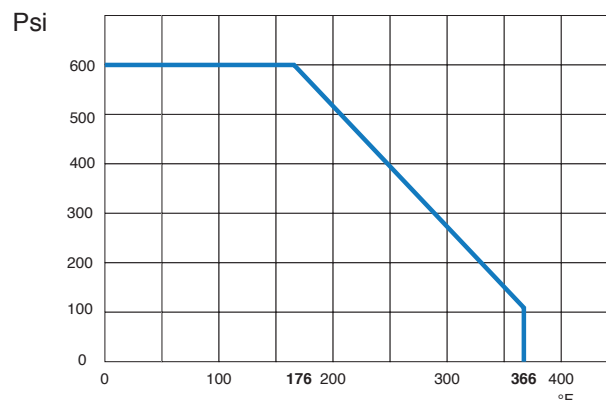
ACTUATOR FEATURES

- NEMA 4, 4X Housing - CSA, UL approved
- 12V/24V AC/DC and 100-240V AC Models Available
- ISO 5211, F03/F05 base with 11mm female drive
- VB015 - 12/24V AC - 50% Duty Cycle
- VB030 - 12/24V DC and 100-240V AC - 75% Duty Cycle
- High-Strength, Impact Resistant IP67 Technopolymer Housing
- Temperature Range -4°F to 131°F
- PG11 Electrical Connection/Optional
- 1/2" Conduit

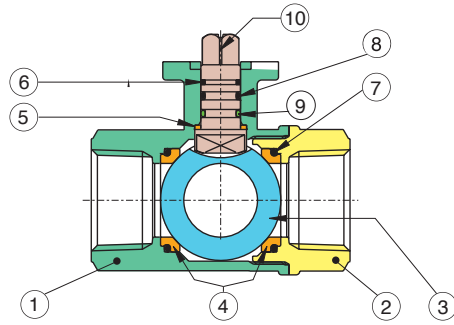
VALVE FEATURES

- 250N - LF Brass w/ Chrome Plated Ball & Stem
- 253N - LF Brass w/ Stainless Steel Ball & Stem
- Full Port, Sizes 1/4" to 4"
- ISO 5211 pad and square stem
- Pressure rating to 600 WOG
- Temperature range -4°F to 366°F
- Low torque design with back up O-ring seats
- Double O-ring stem seal design for extended cycle life
- 100% electronically tested in the open and closed position @ 80 Psi
- NSF 61/372

PRESSURE - TEMPERATURE CHART FOR SERIES 250NLF/253NLF



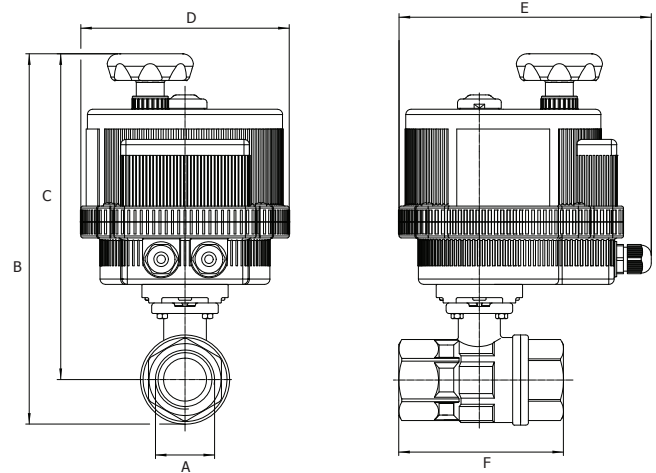
BILL OF MATERIALS FOR 250NLF/253NLF



N POS	PART NAME	MATERIAL	N PCS
1	BODY	LF BRASS C28500	1
2	END CONNECTION	LF BRASS C28500	1
3	BALL	LF BRASS C28500	1
4	BALL SEAT	P.T.F.E.	2
5	THRUST WASHER	P.T.F.E.	1
6	STEM SEAL	P.T.F.E.	1
7	O-RING	FKM (Viton®)	2
8	O-RING	EPDM	1
9	O-RING	FKM (Viton®)	1
10	STEM	250NLF	LF BRASS C28500
		253NLF	AISI 304

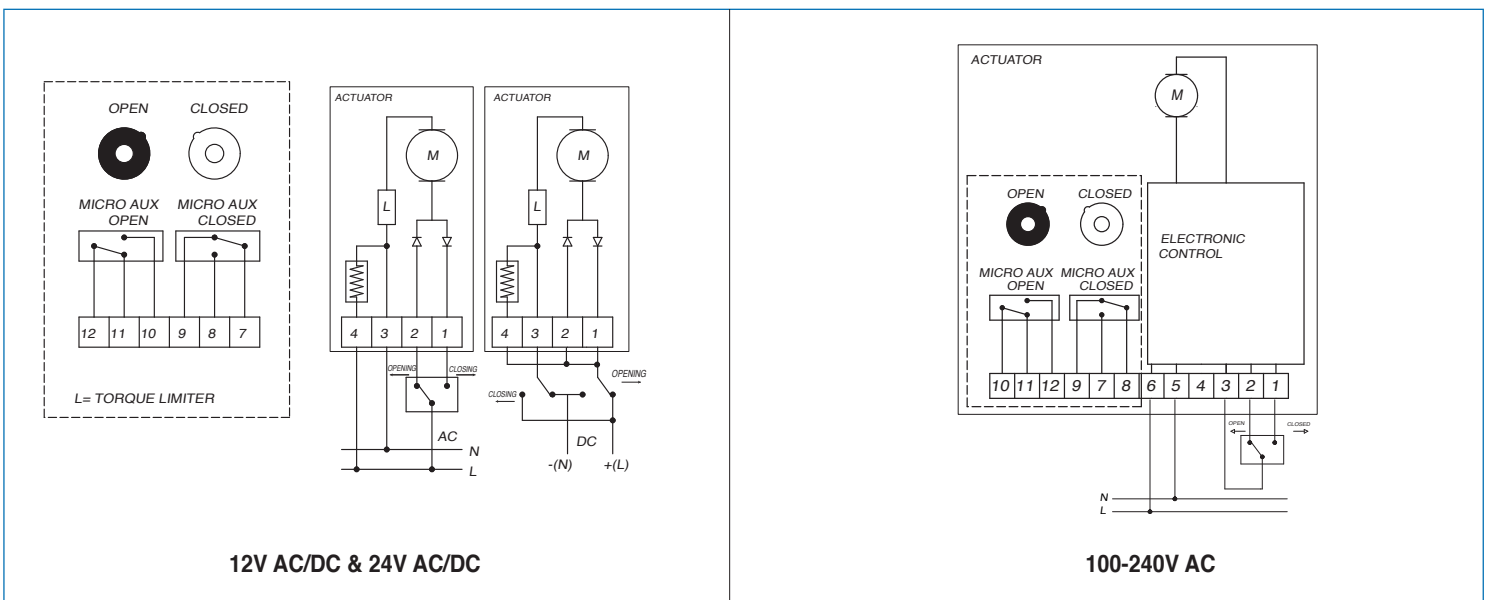
DIMENSIONS

Size	A	B	C	D	E	F	ACT.
1/4"	.250	7.51	6.85	4.84	6.41	2.64	VB015
3/8"	.375	7.51	6.85	4.84	6.41	2.64	VB015
1/2"	.500	7.51	6.85	4.84	6.41	2.64	VB015
3/4"	.750	7.72	6.93	4.84	6.41	3.00	VB015
1"	1.00	8.33	7.36	4.84	6.41	3.35	VB015
1-1/4"	1.25	8.63	7.50	4.84	6.41	3.66	VB015
1-1/2"	1.50	11.3	9.92	6.18	7.50	4.15	VB030
2"	2.00	12.0	10.2	6.18	7.50	4.80	VB030
2-1/2"	2.50	14.2	11.9	7.28	8.43	6.10	VB060
3"	3.00	14.9	12.3	7.28	8.43	6.89	VB060
4"	4.00	16.9	13.7	8.31	9.33	8.03	VB110



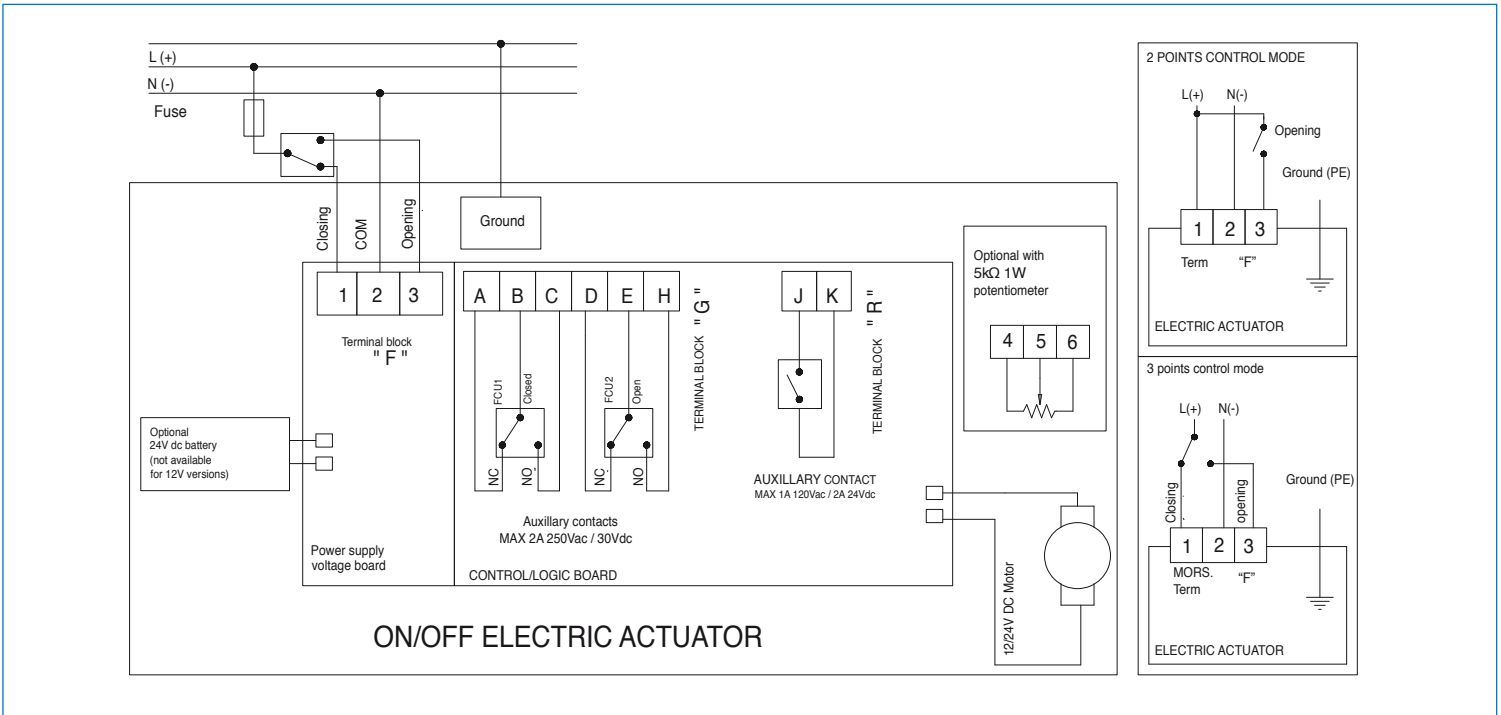
ON/OFF WIRING DIAGRAM - VB015

12V AC/DC, 24V AC/DC & 100-240VAC



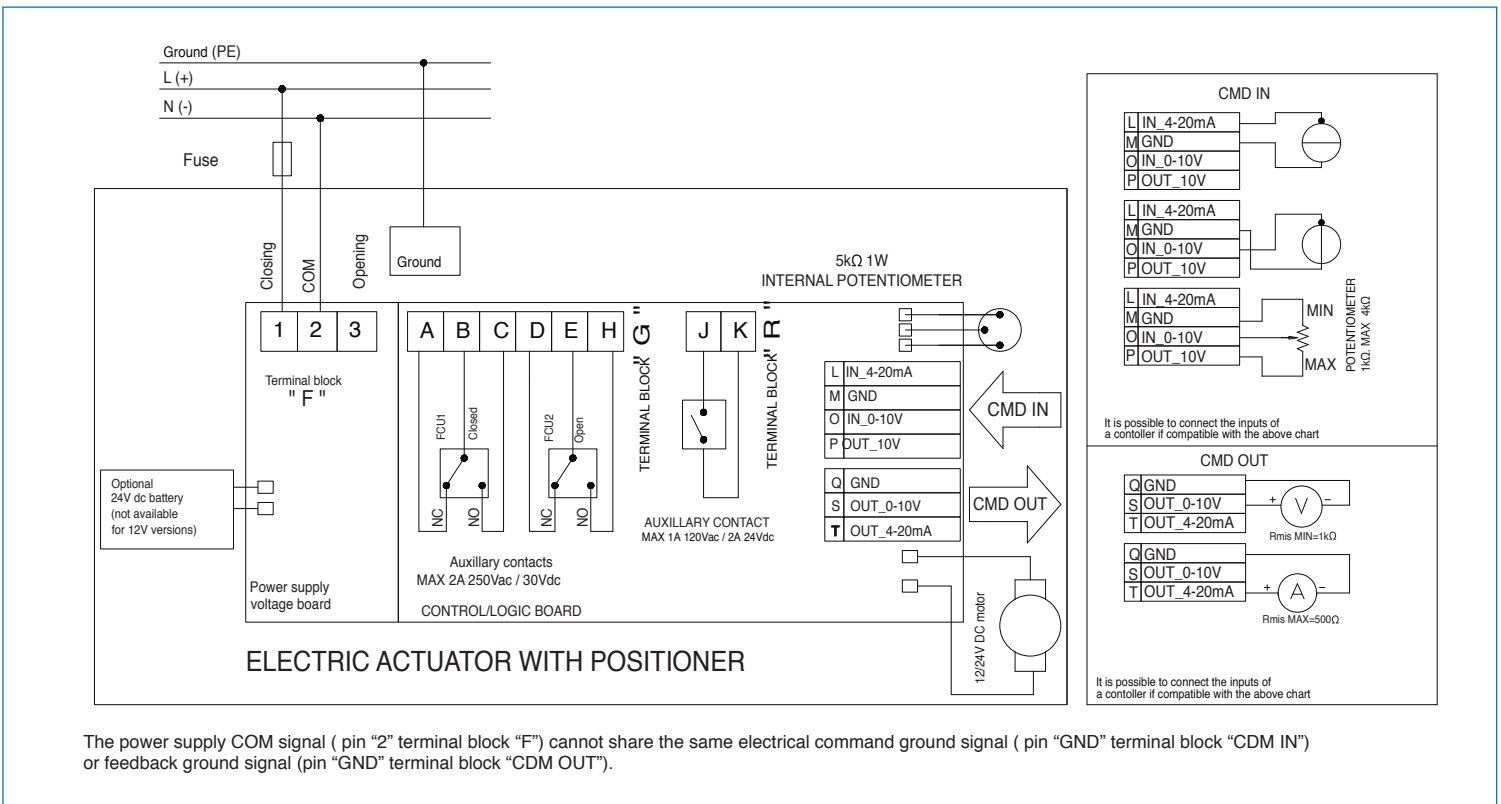
ON/OFF WIRING DIAGRAM - VB030 -VB 110

12V AC/DC, 24V AC/DC & 100-240VAC



POSITIONER WIRING DIAGRAM - VB030 - VB110

12V AC/DC, 24V AC/DC & 100-240VAC



The power supply COM signal (pin "2" terminal block "F") cannot share the same electrical command ground signal (pin "GND" terminal block "CDM IN") or feedback ground signal (pin "GND" terminal block "CDM OUT").