



JOB NAME:	CONTRACTOR:
JOB LOCATION:	APPROVAL:
ENGINEER:	CONTRACTOR P.O.:
APPROVAL:	REPRESENTATIVE:

## 8E067-0\*

### 700076 DIRECT MOUNT, 2-WAY STAINLESS STEEL, FULL PORT BALL VALVE WITH VALBIA ELECTRIC ACTUATOR

#### SIZES 1/4" TO 3"

*001	12V AC/DC	*002	24V AC/DC	*003	100-240VAC
*01*	BATTERY BACKUP	*02*	POSITIONER	*04*	BAT. BACKUP W POS

## SPECIFICATIONS

The 8E067 packed series is ideally suited for commercial and industrial applications, where space and reliability are at a premium.

The 8E067 package includes a stainless steel 1000 psi full port ball valve along with a Technopolymer housing electric motor.

The NEMA 4/4X motors incorporate dual voltages, 24AC/DC and 100-240VAC, and are standardly furnished with two extra limit switches, a heater and a thermostat, and a torque limiter for added protection.

The NEMA 4/4X housing is resistant to dusty areas and where water may be sprayed.

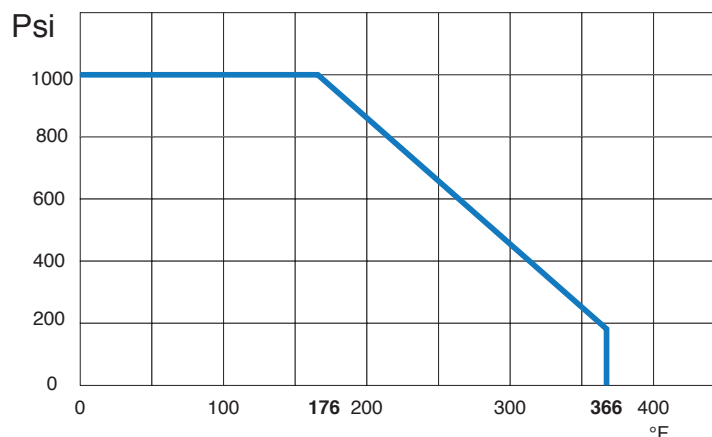
## ACTUATOR FEATURES

- NEMA 4, 4X Housing - CSA, UL approved
- 12V/24V AC/DC and 100-240V AC Models Available
- ISO 5211, F03/F05 base with 11mm female drive
- VB015 -12/24V AC - 50% Duty Cycle
- VB030-VB110 - 12/24V DC and 100-240V AC - 75% Duty Cycle
- High-Strength, Impact Resistant IP67 Technopolymer Housing
- Temperature Range -4°F to 131°F
- PG11 Electrical Connection/Optional
- 1/2" Conduit

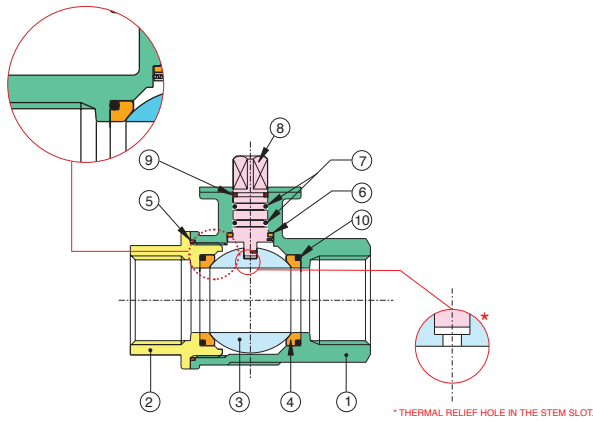
## VALVE FEATURES

- CF8M Stainless Steel
- Full Port, Sizes 1/4" to 3"
- ISO 5211 pad
- Pressure rating to 1000 psi, 150 psi steam
- Temperature -4°F to 366°F
- Blow out proof stem
- P.T.F.E. seats with O-ring backing for low operating torque
- P.T.F.E. seals and Double O-ring stem seal design for extended cycle life
- 100% electronically tested in the open and closed position @80 Psi
- Thermal Relief Protection

## PRESSURE TEMPERATURE CHART FOR 700076



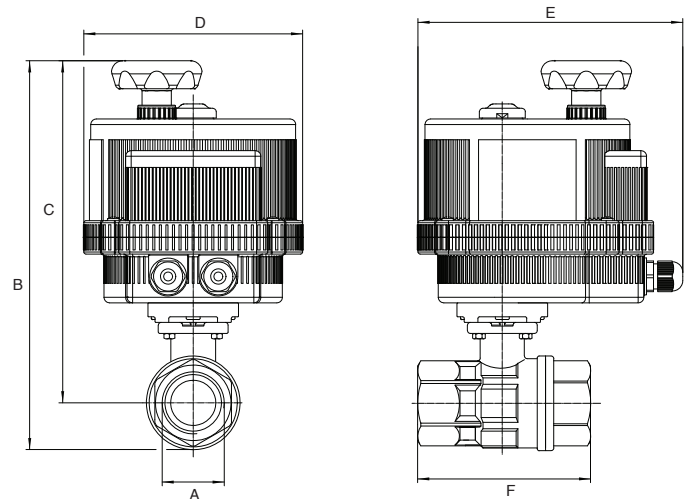
## BILL OF MATERIALS FOR 700076



N POS	PART NAME	MATERIAL	N PCS
1	BODY	CF8M	1
2	END CONNECTION	CF8M	1
3	BALL	AISI 316 - CF8M	1
4	BALL SEAT	P.T.F.E.	2
5	SEAL	P.T.F.E.	1
6	STEM SEAL	P.T.F.E.	1
7	O-RING	FKM (Viton®)	2
8	STEM	AISI 316	1
9	STEM SEAL	P.T.F.E.	1
10	O-RING	FKM (Viton®)	2

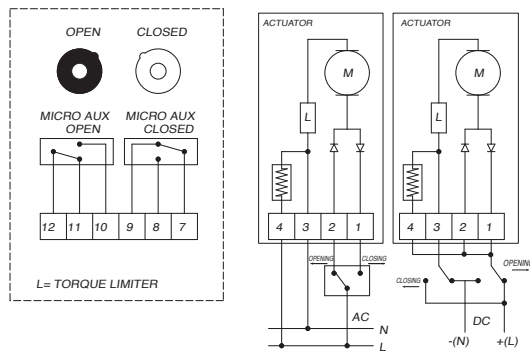
## DIMENSIONS

SIZE	A	B	C	D	E	F	ACT.
1/4"	0.25	7.55	7.09	4.84	6.41	2.56	VB015
3/8"	0.38	7.55	7.09	4.84	6.41	2.56	VB015
1/2"	0.50	7.23	6.85	4.84	6.41	2.63	VB015
3/4"	0.75	7.34	6.93	4.84	6.41	3.07	VB015
1"	1.00	7.85	7.32	4.84	6.41	3.54	VB015
1-1/4"	1.25	8.03	7.46	4.84	6.41	3.93	VB015
1-1/2"	1.50	10.62	9.88	6.18	7.48	4.40	VB030
2"	2.00	11.09	10.24	6.18	7.48	5.31	VB030
2-1/2"	2.50	14.02	12.74	7.28	8.43	6.32	VB060
3"	3.00	14.48	13.09	7.28	8.43	7.01	VB060

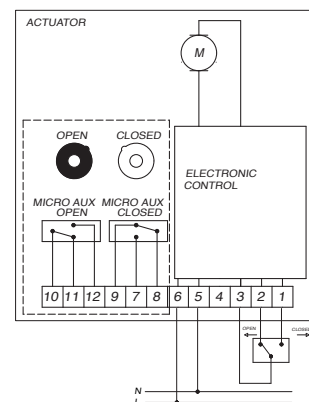


## ON/OFF WIRING DIAGRAM - VB015

12V AC/DC, 24V AC/DC & 100-240VAC



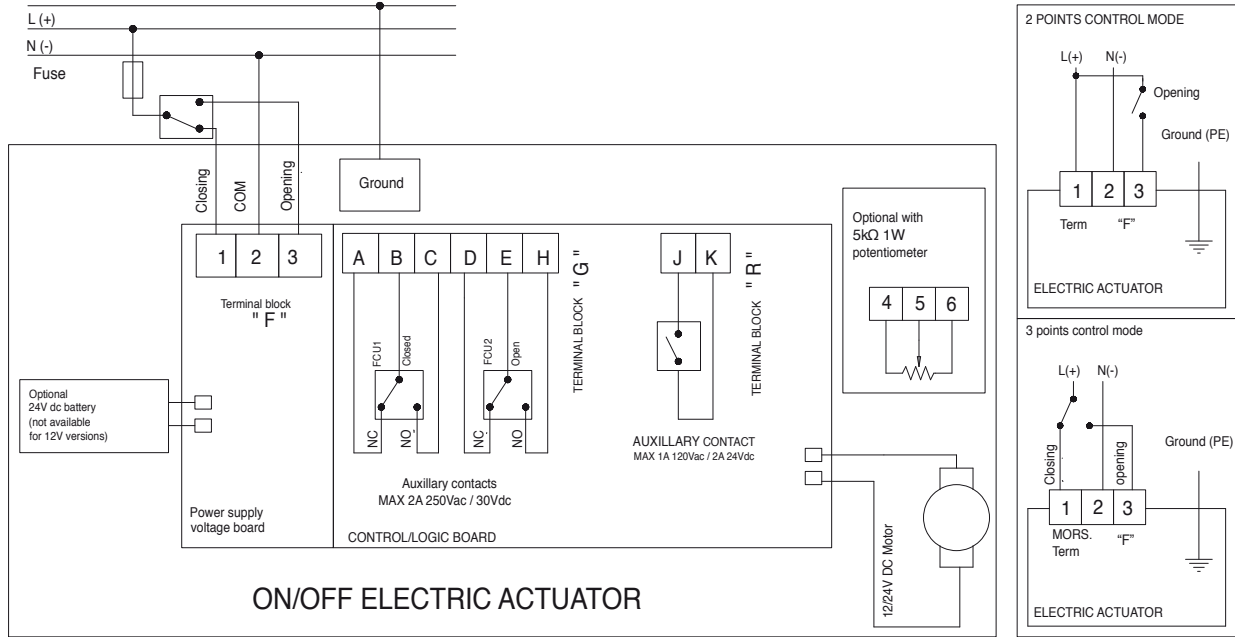
12V AC/DC, 24V AC/DC



100-240VAC

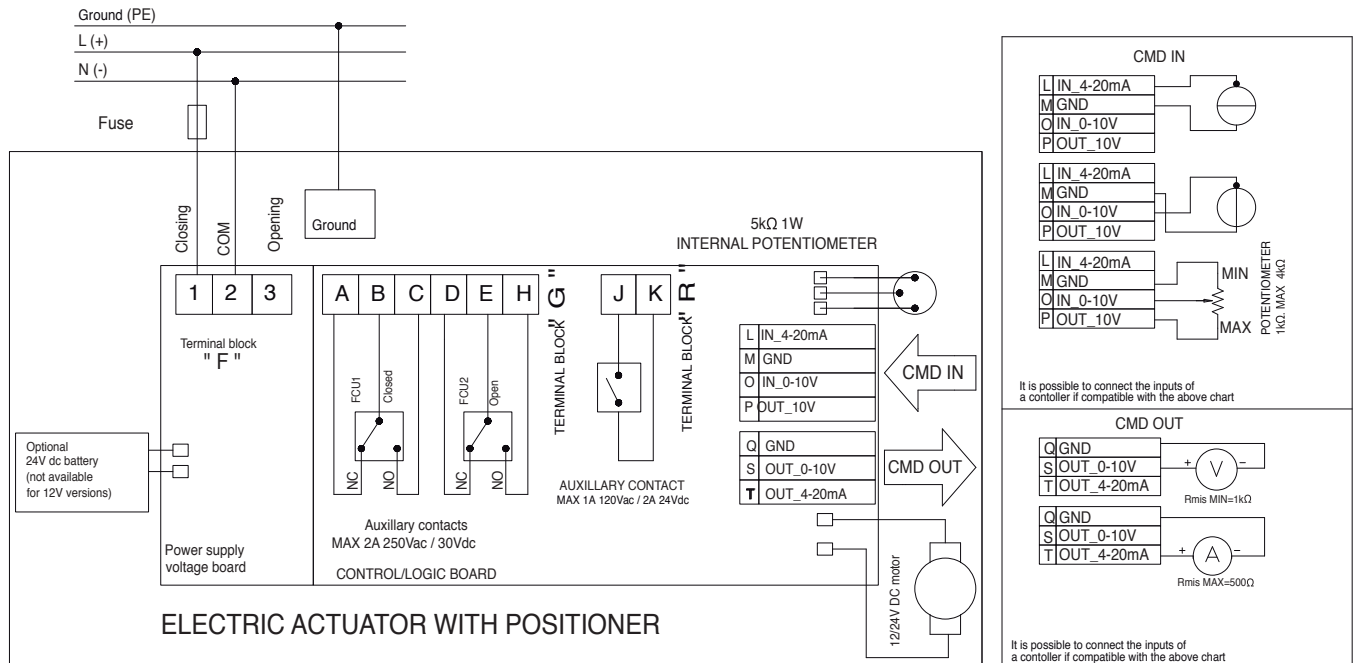
## ON/OFF WIRING DIAGRAM

12V AC/DC, 24V AC/DC & 100-240VAC



## POSITIONER WIRING DIAGRAM

12V AC/DC, 24V AC/DC & 100-240VAC



The power supply COM signal ( pin "2" terminal block "F" ) cannot share the same electrical command ground signal ( pin "GND" terminal block "CDM IN" ) or feedback ground signal ( pin "GND" terminal block "CDM OUT" ).