



JOB NAME:	CONTRACTOR:
JOB LOCATION:	APPROVAL:
ENGINEER:	CONTRACTOR P.O.:
APPROVAL:	REPRESENTATIVE:

8P0139

955N DIRECT MOUNT, 3-WAY STAINLESS STEEL, T-PORT, STANDARD PORT BALL VALVE W/ DOUBLE ACTING ACTUATOR

SIZES 1/2" TO 3"

8P0141

955N DIRECT MOUNT, 3-WAY STAINLESS STEEL, T-PORT, STANDARD PORT BALL VALVE W/ SPRING RETURN ACTUATOR

SIZES 1/2" TO 3"

SPECIFICATIONS

The 8P0139/8P0141 series features the 955N in a 3-way ASTM A351-CF8M, standard port ball valve, with four seats, and a T ported configuration. The 955N valve is also an ISO 5211 direct mount style, with four seats. The four seats allow one to use any port as an entry port and offers an optional straight through flow and shut-off capabilities.

The Valbia pneumatic actuator comes with a hard-anodized aluminum body, and powder coated end caps. In addition, all Valbia pneumatic actuators are standardly furnished with elevated temperature seals to 302F. The patented side loaded limit stops never enter the piston chamber eliminating extra possible leak paths.

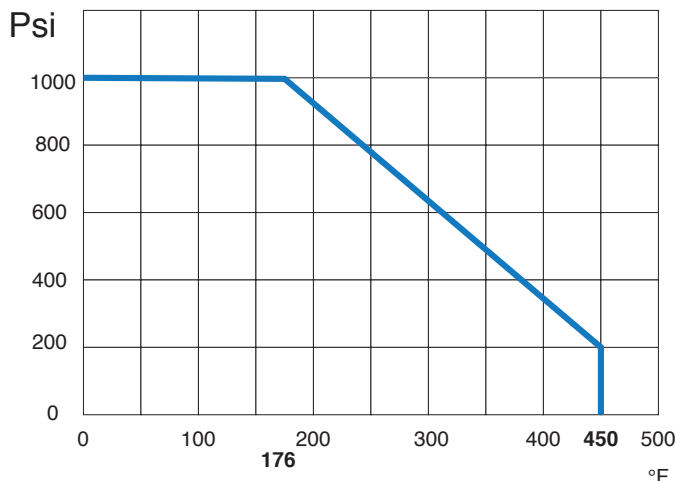
ACTUATOR FEATURES

- Hard anodized extruded aluminum body
- Concentric spring sets
- Die cast aluminum end caps
- Solid steel barstock pinion (not casting)
- 0°-90° rotation adjustment cam
- 0°-90° rotation adjustment bolts
- POM piston guides
- Minimum air pressure rating: 80 psi
- Maximum air pressure rating: 116 psi
- Working temperature: -4°F - 302°F
- No lubrication maintenance required for the entire actuator lifetime
- 100% factory tested

VALVE FEATURES

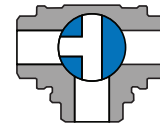
- CF8M Stainless Steel
- Standard Port, Sizes 1/2" to 3"
- ISO 5211 pad and square stem
- Pressure rating to 1000psi (1/2" to 1-1/4"), 800 psi (1-1/2" to 3")
- Temperature range -4°F to 450°F
- Blow-out proof stem
- Self adjusting stem packing
- 100% electronically tested in the open and closed position@80 Psi

PRESSURE - TEMPERATURE CHART FOR SERIES 955N

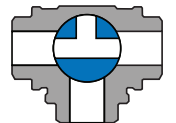


FLOW PATH VARIATIONS *

T-PORT FLOW PATH A

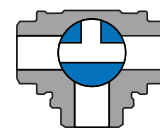


STANDARD (CCW)

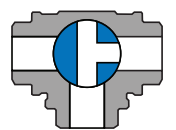


ACTUATED (CW)
Standard Fail Position

T-PORT FLOW PATH B



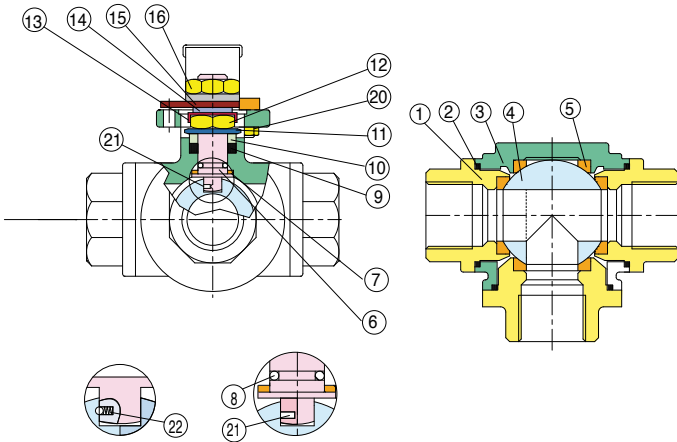
STANDARD (CCW)



ACTUATED (CW)
Standard Fail Position

* Flow paths above are for actuated packages only. For manual valves flow paths, please reference page 22 of the N. 193 Hand-operated valve catalog.

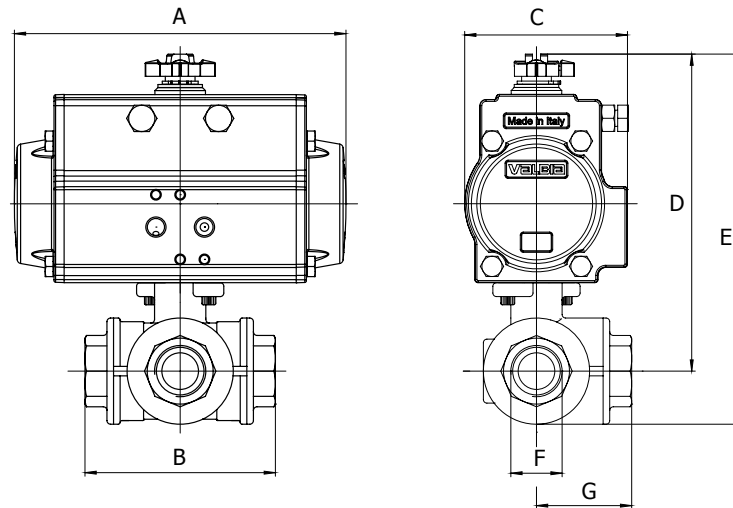
BILL OF MATERIALS FOR 955N



N POS	PART NAME	MATERIAL	N PCS
1	END CAP	A351 CF8M	3
2	GASKET	P.T.F.E.	3
3	BODY	A351 CF8M	1
4	BALL	SS316	1
5	SEATS	R.P.T.F.E.	4
6	STEM	SS316	1
7	STEM SEAL	R.P.T.F.E.	1
8	O-RING	FKM (Viton®)	1
9	STEM PACKING	P.T.F.E.	1
10	GLAND	SS304	1
11	DISK WASHER	SS301	2

N POS	PART NAME	MATERIAL	N PCS
12	STEM NUT	SS304	1
13	NUT STOP	SS304	1
14	SPACE WASHER	SS304	1
15	PLATE STOP	SS304	1
16	HANDLE NUT	SS304	1
17	HANDLE	SS304	1
18	HANDLE SLEEVE	VINYL	1
19	STOPPER	SS304	1
20	PIN NUT	SS304	1
21	INSERT PIN	SS316	1
22	ANTISTATIC DEVICE	SS316	1

DIMENSIONS



8P0139

955N W/ **DOUBLE ACTING** ACTUATOR

Size	A	B	C	D	E	F	G	ACT. DA
1/2"	5.55	2.83	2.80	5.45	6.23	0.47	1.41	52
3/4"	5.55	3.26	2.80	5.65	6.56	0.59	1.63	52
1"	6.46	3.89	3.17	6.10	7.20	0.78	1.94	63
1-1/4"	6.46	4.40	3.17	6.63	7.96	0.98	2.20	63
1-1/2"	8.27	4.92	3.72	7.64	9.17	1.25	2.46	75
2"	9.47	5.86	4.17	8.59	10.47	1.49	2.93	85
2-1/2"	10.83	6.69	4.84	C/F	C/F	1.96	3.34	100
3"	13.11	7.68	5.39	C/F	C/F	2.55	3.83	115

8P0141

955N W/ **SPRING RETURN** ACTUATOR

Size	A	B	C	D	E	F	G	ACT. SR
1/2"	6.46	2.83	3.17	5.90	6.68	0.47	1.41	63-04
3/4"	6.46	3.26	3.17	6.10	7.01	0.59	1.63	63-04
1"	8.27	3.89	3.72	6.81	7.91	0.78	1.94	75
1-1/4"	8.27	4.40	3.72	7.34	8.67	0.98	2.20	75
1-1/2"	10.83	4.92	4.84	8.69	10.22	1.25	2.46	100
2"	10.83	5.86	4.84	9.09	10.97	1.49	2.93	100
2-1/2"	17.13	6.69	6.46	C/F	C/F	1.96	3.34	140
3"	19.69	7.68	7.32	C/F	C/F	2.55	3.83	160