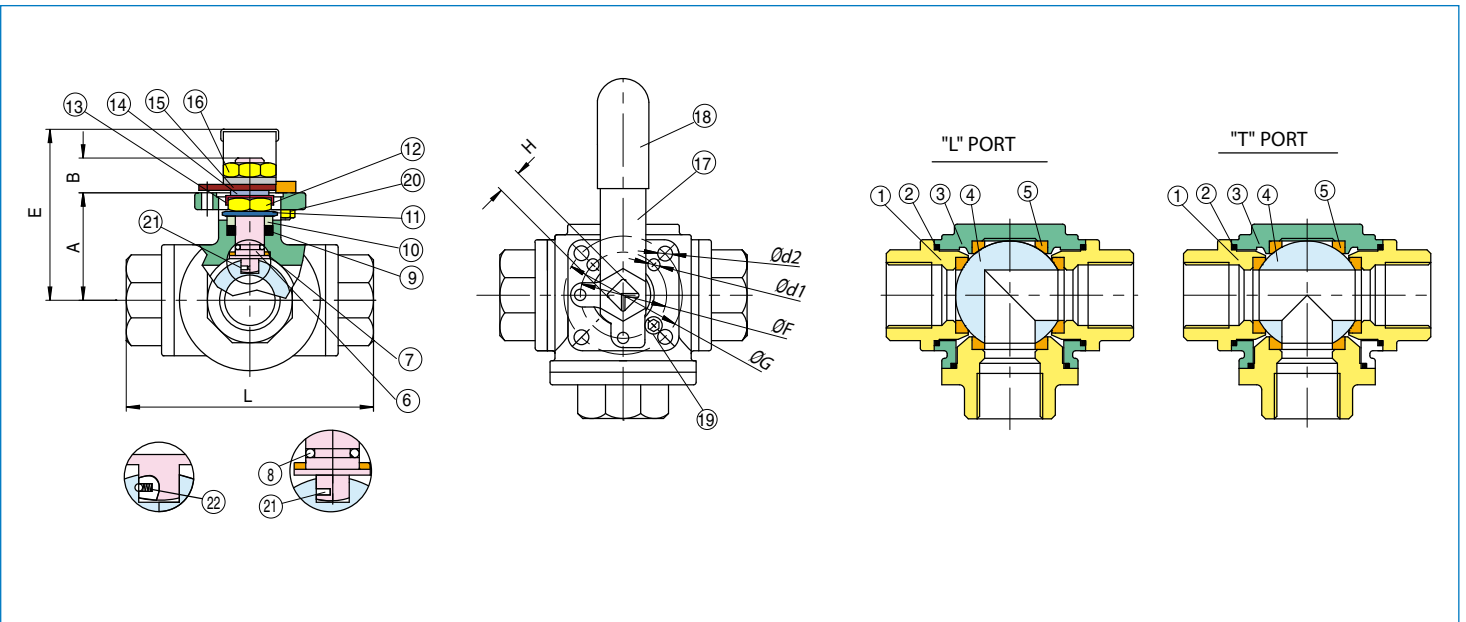


SERIES 955N (T) - 965N (L) • STANDARD PORT
SERIES 956N (T) - 966N (L) • FULL PORT
STAINLESS STEEL DIRECT MOUNT 3 WAY BALL VALVE

Direct mount stainless steel three way ball valve FNPT threaded, full and reduced port full port sizes 1/4" to 2" - standard port sizes 1/2" to 3".

- Self adjusting stem packing.
- Blow-out proof stem design.
- 100% air tested under water at 80 psi.
- Working pressure is 1000 psi (1/4" to 1"), 800 psi (1 1/4" - 3").
- Temperature range -4° F to 450° F.
- ISO 5211 mounting pad/square stem.
- Locking handle.



N.P.O.S	PART NAME	MATERIAL	N.P.C.S
1	END CAP	A351 CF8M	3
2	GASKET	P.T.F.E.	3
3	BODY	A351 CF8M	1
4	BALL	SS316	1
5	SEATS	R.T.F.E.	4
6	STEM	SS316	1
7	STEM SEAL	R.P.T.F.E.	1
8	O-RING	FKM (Viton®)	1
9	STEM PACKING	P.T.F.E.	1
10	GLAND	SS304	1
11	DISK WASHER	SS301	2
12	STEM NUT	SS304	1
13	NUT STOP	SS304	1
14	SPACE WASHER	SS304	1
15	PLATE STOP	SS304	1
16	HANDLE NUT	SS304	1
17	HANDLE	SS304	1
18	HANDLE SLEEVE	VINYL	1
19	STOPPER	SS304	1
20	PIN NUT	SS304	1
21	INSERT PIN	SS316	1
22	ANTISTATIC DEVICE	SS316	1

SIZE	SIZE		A	B	Ød1	Ød2	E	ØF	ØG	H mm	L	Port	psi	ISO5211	Weight Lbs 956-966	Weight Lbs 955-965	Torque in-Lbs
	FULL PORT	STANDARD PORT															
1/4"	-		1.45	0.40	0.23	0.23	2.44	1.41	1.65	9	2.83	0.43	1000	F03/F04	1.45	-	105
3/8"	1/2"		1.45	0.40	0.23	0.23	2.44	1.41	1.65	9	2.83	0.47	1000	F03/F04	1.45	1.45	105
1/2"	3/4"		1.65	0.45	0.23	0.23	2.51	1.41	1.65	9	3.26	0.59	1000	F03/F04	1.90	1.90	138
3/4"	1"		1.65	0.59	0.23	0.27	3.22	1.65	1.96	11	3.89	0.78	1000	F04/F05	3.25	3.35	184
1"	1 1/4"		2.18	0.55	0.23	0.27	3.50	1.65	1.96	11	4.40	0.98	1000	F04/F05	4.90	4.80	323
1 1/4"	1 1/2"		2.48	0.64	0.27	0.36	3.85	1.96	2.75	14	4.92	1.25	800	F05/F07	7.10	7.45	461
1 1/2"	2"		2.88	0.62	0.27	0.36	4.25	1.96	2.75	14	5.86	1.49	800	F05/F07	11.80	11.60	633
2"	2 1/2"		3.63	0.96	-	0.36	5.19	-	2.75	14	6.64	1.97	800	F07	21.40	23.25	1037
-	3"		4.63	1.14	-	0.44	5.19	-	4.01	17	7.68	2.56	800	F10	-	23.23	1381