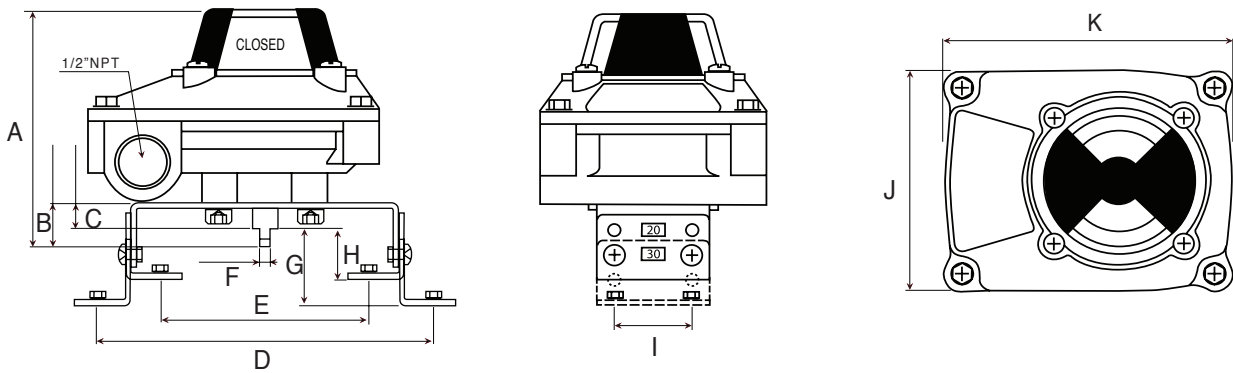




SERIES LS2-B IP67 LIMIT SWITCH

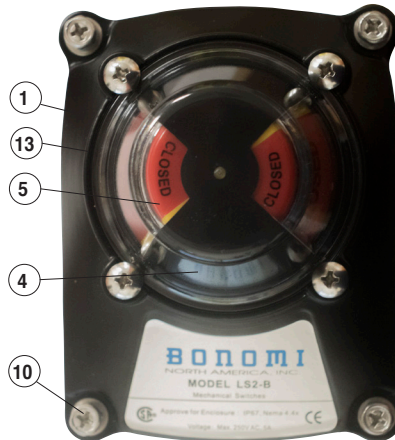
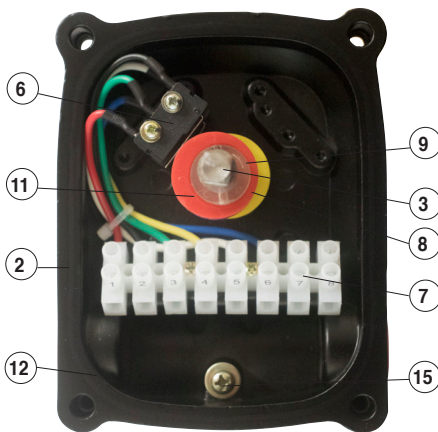
- Die-Cast Aluminum Body w/ O-Ring sealed
- Sealed with Buna-N - O-Ring
- Dichromate Conversion w/ Polyester Powder Coating
- Double Cable Entry with Two 1/2" NPT
- NAMUR shaft ISO bracket
- IP67, NEMA 4,4x, CSA approved
- 2 SPDT 5A 125-250VAC, 3A 24VDC

PRODUCT DIMENSIONS



A	B	C	D	E	F	G	H	I	J	K
3.66	0.67	0.39	5.12	3.15	0.16	1.18	0.79	1.18	3.46	4.41

BILL OF MATERIALS



N POS	PART NAME	MATERIAL	N POS
1	COVER	ALUMINUM DIE CAST	1
2	BODY	ALUMINUM DIE CAST	1
3	SHAFT	STAINLESS STEEL	1
4	INDICATOR COVER	POLYCARBONATE	1
5	INDICATOR	ABS	1
6	LIMIT SWITCH	MECHANICAL	2
7	TERMINAL STRIP	POLYCARBONATE, TIN PLATED BRASS, SS	8-14
8	CAM	POLYCARBONATE	2
9	SPRING	STAINLESS STEEL	1
10	COVER BOLTS	STAINLESS STEEL	4
11	SHAFT O-RING	NBR	2
12	HOUSING O-RING	NBR	1
13	INDICATOR O-RING	NBR	1
14	BUSHING	BRONZE	1
15	EARTH LUG	STAINLESS STEEL	1
16	E-RING	STAINLESS STEEL	2