

STC 2KS / 2KD Series Stainless Angle Seat Valves

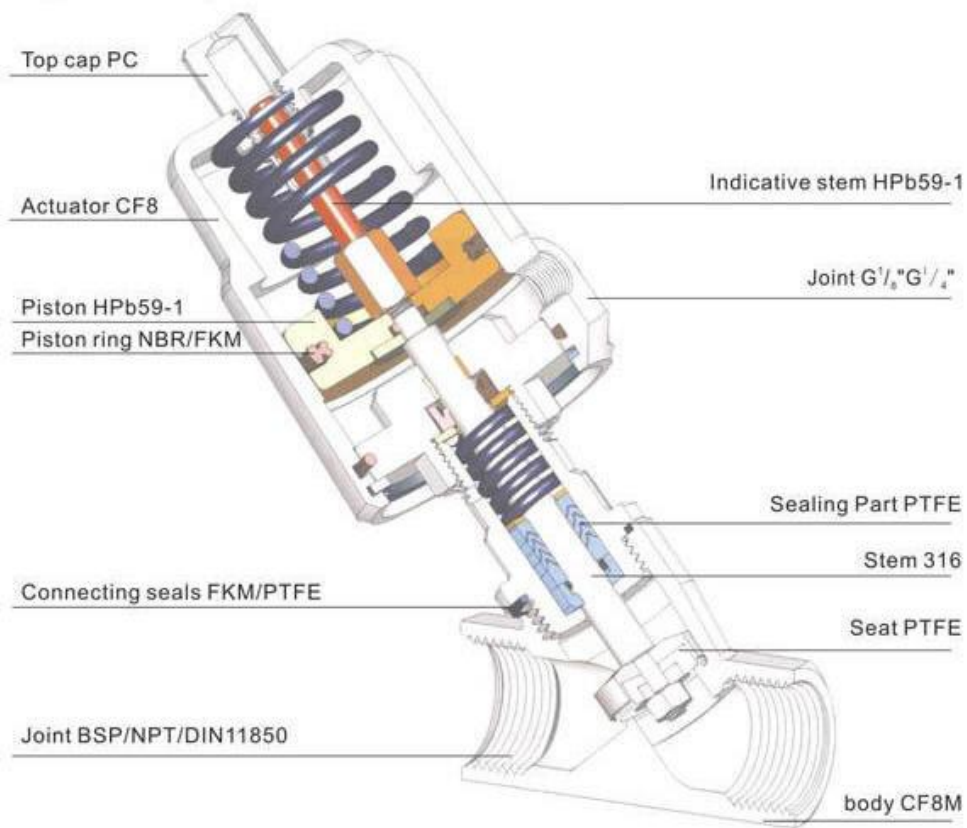
Two-Way, Direct Piston Actuation, NC or NO



2KS / 2KD Stainless Steel Series Specifications

Single Acting	2KS-3/8	2KS-1/2	2KS-3/4	2KS-1	2KS-1 1/4	2KS-1 1/2	2KS-2	2KS-2 1/2
Double Acting	2KD-3/8	2KD-1/2	2KD-3/4	2KD-1	2KD-1 1/4	2KD-1 1/2	2KD-2	2KD-2 1/2
Port Size	3/8" NPT	1/2" NPT	3/4" NPT	1" NPT	1 1/4" NPT	1 1/2" NPT	2" NPT	2 1/2" NPT
Orifice	13mm	13mm	18mm	24mm	31mm	35mm	45mm	65mm
Flow Coefficient (Cv)	4.7	4.7	9.5	18.1	23.1	32.9	52.8	76
Valve Type	2 Way, Normally Closed (NC) or Normally Open (NO)							
Action	Direct Piston Actuation Spring Loaded Stem Seal for Long Service Life							
Wetted Surfaces	Valve Body: Cast 316 Stainless Steel (CF8M) Seals (Seat, Stem, and Piston): PTFE (Teflon)							
Seal Material	PTFE (Teflon)							
Operating Temperature	Standard Option: -5°F to 356°F (-20°C to 180°C) Low Temperature Seal Option: -40°F to 356°F (-40°C to 180°C)							
Ambient Temperature	Standard Option: -5°F to 140°F (-20°C to 60°C) Low Temperature Seal Option: -40°F to 140°F (-40°C to 60°C)							
Operating Pressure	0 PSI to 240 PSI (See pages 4-5 for bi-directional flow pressure ranges)							
Controlling Pressure	65 PSI to 120 PSI							
Pilot Controlling Medium	Air or Inert Gas							
Service Medium	Air, Gas, Liquid, Oil, Steam, Water Note: Service medium must be compatible with wetted surface materials							
Maximum Viscosity	600mm ² /s (600 Centistokes)							

2KS / 2KD Stainless Steel Series Components



Material Test Reports

This document certifies that STC products have been subjected to quality assurance procedures and meet the material and performance specifications published by Sizto Tech Corporation (STC). The products have been manufactured, processed, inspected, and tested according to STC internal requirements and ISO 9001 standards.

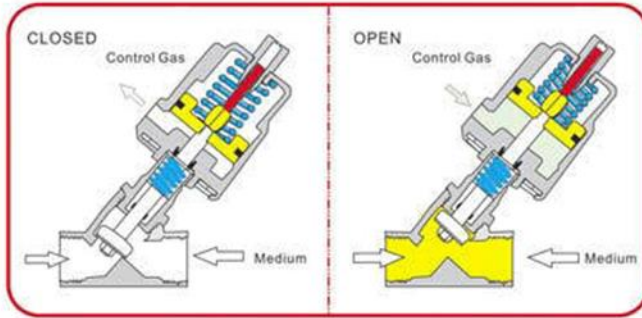
ISO 9001:2015 Certificate Number: **Qnb17180318**
 Date of Issue: **01, March, 2018**
 Valid Until: **28, February, 2021**

Individual materials and components used in this product have been tested and conform to applicable published standards according to chart below. Please be advised that STC does not conduct its own material analysis of all raw materials, rather, STC relies on the statements of its material suppliers & reserves the rights to independently test raw materials if necessary. Material Test Reports may be available for specific products upon request.

Material	Use Location	Material Standard
316 Stainless Steel	Metal Fittings, Valves, Air Cylinders	ASTM A240/A2666
304 Stainless Steel	Valves, Air Cylinders	ASTM A240/A666
CF8M Stainless Steel	Valves	ASTM A351/A743
Brass	Valves	ASTM B36/B62
Nickel-Plated Brass	Composite Fittings	ASTM B456/B927
Acetal Homopolymer (Delrin)	Valves	ASTM D4181/D6778—14
Acetal Copolymer (POM)	Composite Fittings	ASTM D4181/D6778—14
FKM (Viton)	Seals	ASTM D1418
PTFE (Teflon)	Valves, Seals	ASTM D3294—15
NBR (Buna N)	Seals	ASTM D1387—06
EPDM	Seals	ASTM D3568—03
Polybutylene Terephthalate (PBT)	Composite Fittings	ASTM D4000

Technical Data—Single Acting

Single acting(NC)/double acting(NC)



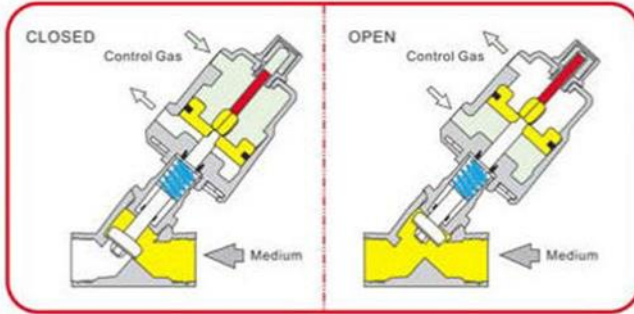
Part No.	Port	Standard	Orifice (mm)	Actuator (mm)	Cv	Bi-Directional Flow*		Media Temperature**	Pilot Control Pressure
						Inlet Above Seat Pressure @ 180C	Inlet Below Seat Pressure @ 180C		
2KS-3/8	3/8" NPT	DN10	13	50	4.7	0-240 PSI (0-1.6MPa)	0-240 PSI (0-1.6MPa)	-5 to 356°F	65-120 PSI
2KS-1/2	1/2" NPT	DN15	13	50	4.7	0-240 PSI (0-1.6MPa)	0-240 PSI (0-1.6MPa)	-5 to 356°F	65-120 PSI
2KS-3/4	3/4" NPT	DN20	18	50	9.5	0-240 PSI (0-1.6MPa)	0-180 PSI (0-1.2MPa)	-5 to 356°F	65-120 PSI
2KS-1	1" NPT	DN25	24	63	18.1	0-240 PSI (0-1.6MPa)	0-150 PSI (0-1.0MPa)	-5 to 356°F	65-120 PSI
2KS-1 1/4	1 1/4" NPT	DN32	31	63	23.1	0-240 PSI (0-1.6MPa)	0-90 PSI (0-0.6MPa)	-5 to 356°F	65-120 PSI
2KS-1 1/2	1 1/2" NPT	DN40	35	80	32.9	0-240 PSI (0-1.6MPa)	0-90 PSI (0-0.6MPa)	-5 to 356°F	65-120 PSI
2KS-2	2" NPT	DN50	45	100	52.8	0-240 PSI (0-1.6MPa)	0-90 PSI (0-0.6MPa)	-5 to 356°F	65-120 PSI
2KS-2 1/2	2 1/2" NPT	DN65	65	100	76	0-240 PSI (0-1.6MPa)	0-90 PSI (0-0.6MPa)	-5 to 356°F	65-120 PSI

*Use *under-seat flow* to minimize hammering effects; Use *above-seat flow* to maximize valve response time

**Temperature -5 to 356°F (-20 to 180C); Low Temperature Option: -40 to 356°F (-40 to 180C) with low temperature seal

Technical Data—Double Acting

Close with flow direction (double acting)

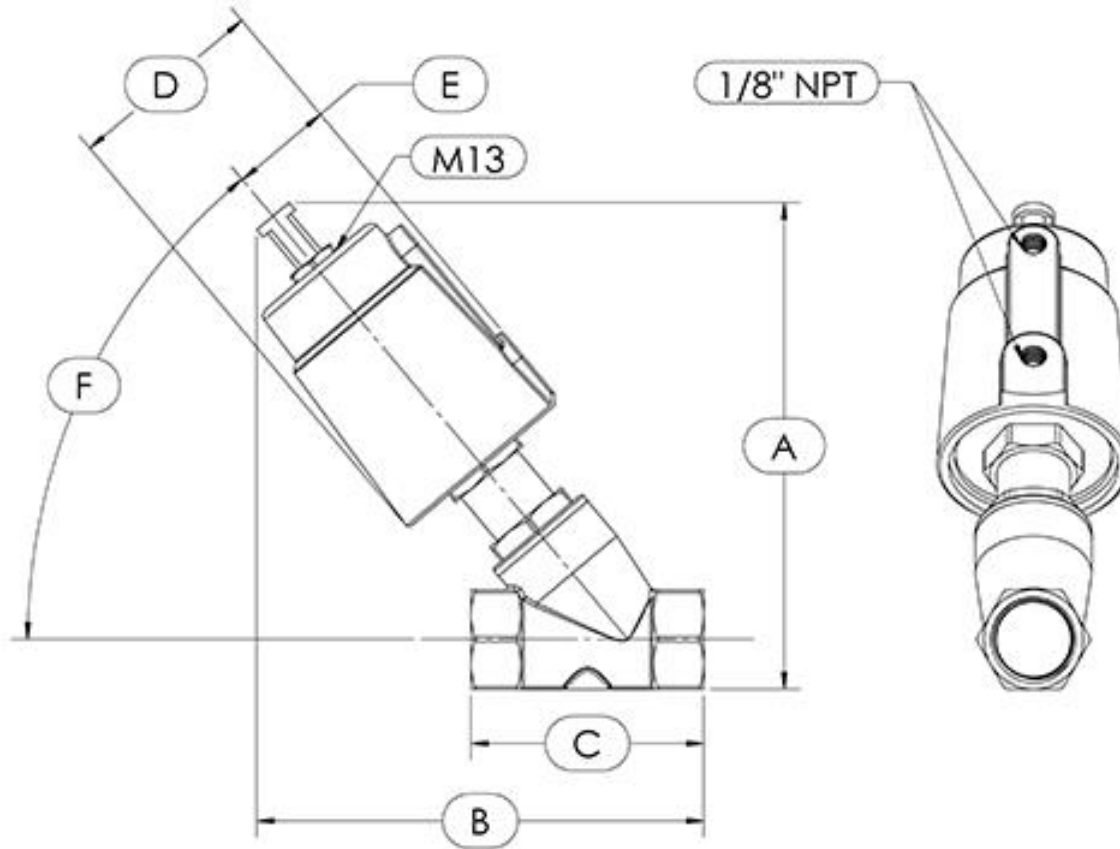


Part No.	Port	Standard	Orifice (mm)	Actuator (mm)	Cv	Bi-Directional Flow*		Media Temperature**	Pilot Control Pressure
						Inlet Above Seat Pressure @ 180C	Inlet Below Seat Pressure @ 180C		
2KD-3/8	3/8" NPT	DN10	13	50	4.7	0-240 PSI (0-1.6MPa)	0-240 PSI (0-1.6MPa)	-5 to 356°F	65-120 PSI
2KD-1/2	1/2" NPT	DN15	13	50	4.7	0-240 PSI (0-1.6MPa)	0-240 PSI (0-1.6MPa)	-5 to 356°F	65-120 PSI
2KD-3/4	3/4" NPT	DN20	18	50	9.5	0-240 PSI (0-1.6MPa)	0-240 PSI (0-1.6MPa)	-5 to 356°F	65-120 PSI
2KD-1	1" NPT	DN25	24	63	18.1	0-240 PSI (0-1.6MPa)	0-240 PSI (0-1.6MPa)	-5 to 356°F	65-120 PSI
2KD-1 1/4	1 1/4" NPT	DN32	31	63	23.1	0-240 PSI (0-1.6MPa)	0-240 PSI (0-1.6MPa)	-5 to 356°F	65-120 PSI
2KD-1 1/2	1 1/2" NPT	DN40	35	80	32.9	0-240 PSI (0-1.6MPa)	0-240 PSI (0-1.6MPa)	-5 to 356°F	65-120 PSI
2KD-2	2" NPT	DN50	45	100	52.8	0-240 PSI (0-1.6MPa)	0-240 PSI (0-1.6MPa)	-5 to 356°F	65-120 PSI
2KD-2 1/2	2 1/2" NPT	DN65	65	100	76	0-240 PSI (0-1.6MPa)	0-240 PSI (0-1.6MPa)	-5 to 356°F	65-120 PSI

*Use *under-seat flow* to minimize hammering effects; Use *above-seat flow* to maximize valve response time

**Temperature -5 to 356°F (-20 to 180C); Low Temperature Option: -40 to 356°F (-40 to 180C) with low temperature seal

2KS / 2KD Series Dimensions



2KS & 2KD Series Stainless Steel Air Actuated Plunger Valve Dimensions (mm)								
Single Acting Model	Double Acting Model	Port Size	A	B	C	D	E	F
2KS-3/8	2KD-3/8	3/8" NPT	150.9	141.6	69.0	62.3	32.2	50°
2KS-1/2	2KD-1/2	1/2" NPT	147.8	135.5	68.2	64.4	33.5	50°
2KS-3/4	2KD-3/4	3/4" NPT	155.7	142.1	75.3	62.3	32.2	50°
2KS-1	2KD-1	1" NPT	188.3	173.2	90.3	76.8	39.4	50°
2KS-1 1/4	2KD-1 1/4	1 1/4" NPT	204.6	187.3	115.5	78.9	41.0	50°
2KS-1 1/2	2KD-1 1/2	1 1/2" NPT	213.7	198.7	116.4	96.7	49.8	50°
2KS-2	2KD-2	2" NPT	296.4	308.4	150.0	118.2	61.2	45°
2KS-2 1/2	2KD-2 1/2	2 1/2" NPT	321.2	335.3	185.0	118.8	61.3	45°

Note: Dimensions are for reference only. Field verify prior to installation for critical dimensions.

Air Actuated Angle Seat Valve

Maintenance & Troubleshooting Guide

Warning: When tightening any connections to the valve, DO NOT use the actuator as leverage. Doing so may damage the joint between the actuator & valve.

Connection to Fluid Supply:

1. Connect the fluid supply & outlet to the lower ports
2. Connect the controlling air supply to the ports on the actuator body. For double acting valves, air supplied to the *lower port* will open the valve, and air supplied to the *upper port* will close the valve.

General Notes:

- This valve is designed to be controlled by *air flow only*. Any kind of *compatible* fluid may flow through the main valve body.
- Fluid can flow either way through the main valve body. However, it is optimal to have the flow enter from the *higher port* (above seat). To reduce water hammering, the flow orientation may be switched to have the flow enter from the *lower port* (below seat). Please review the specification charts on pages 4 & 5 for the working pressure limits for each orientation.
- The pin on top of the valve inside of the top cap (see page 2) acts as a position indicator for the valve. The pin will pop up into the top cap when the valve is open.

Reference Figures:



Figure 1: 2KS-1/2. Single Actuator port, with two valve Body ports.



Figure 2: 2KD-1/2. Double Actuator port, with two valve Body ports.

For tips, maintenance guides, & procedural videos, visit us at www.youtube.com/users/STCValves

Terms & Conditions

By purchasing from SIZTO TECH CORPORATION (STC), you agree to these TERMS AND CONDITIONS. No other terms shall apply except as agreed in writing & signed by STC. We reserve the right to correct typographic errors and reject orders.

SHIPMENTS:

All shipments are F.O.B. 892 Commercial Street, Palo Alto, CA 94303, USA. Most orders are shipped via UPS Standard Ground unless instructions accompany order. Outside the UPS zones, shipment will be made Best Way. The responsibility for goods delay, lost or damaged in transit rests with the carrier and purchaser. Purchaser may purchase shipping insurance to cover lost or damaged products caused by shipping.

RETURN OF MERCHANDISE:

No merchandise is accepted for return 30 days after delivery date. No credit allowed on merchandise shipped as ordered and returned without obtaining an authorization number IN ADVANCE. A 20% restocking charge applies to all returns, and transportation charges must be fully prepaid. We will pay **ground** transportation charges on re-sent or returned merchandise due to STC's error.

Shortages & Mis-Shipments: Any shortages or mis-shipments must be reported within 15 days.

CANCELLATION POLICY:

Blanket orders can be canceled 90 days before scheduled ship date. There will be a 10% charge if a blanket order is canceled within 90 days of scheduled ship date, and a 20% charge if canceled within 60 days. Regular orders for non-custom parts can be canceled any time before the order is shipped. For custom parts, a 30% down payment is required either at the time of order or 90 days prior to scheduled ship date, whichever comes later.

Remittances should be sent to:

Sizto Tech Corporation, 892 Commercial Street, Palo Alto, CA 94303, USA

Credit Card Payments: Visa, MasterCard, Discover, or American Express accepted

International Customers: Advance Payment Required via Bank Wire, Cashier's Check or Approved Credit Card.

Credit Application: To establish a net 30 day account, please mail or fax three trade references with complete mailing addresses and account numbers, or request an STC Credit Application.

LIMITED WARRANTY – IMPORTANT NOTICE TO PURCHASER:

Sizto Tech Corporation (STC) only warrants this product to be free from defects in materials and workmanship at the time of shipment. This limited warranty expires one year after delivery to the end-user. STC's entire obligation to the Purchaser for breach of this limited warranty shall be limited to replacement of the defective product or refund of the original purchase price of this product, at STC's option. Purchaser has thirty (30) days to return the goods after STC has agreed to accept the return. All freight charges on returned material shall be paid by the Purchaser. STC's limited warranty shall not apply, however, to the product that have been subjected to misuse, alteration, accident or negligence during handling or storage.

DISCLAIMER OF IMPLIED WARRANTIES:

All implied warranties, which may arise by implication of law or application of course of dealing or usage of trade, including, but not limited to, implied warranties of merchantability or fitness for a particular purpose are expressly excluded. There are no warranties, which extend beyond the description of the faced hereof. The end user is solely responsible for the suitability and fitness of this product selected for a particular application.

OBLIGATIONS

You warrant, represent and agree: (1) to comply with all laws; (2) that our sale and shipment of the product will not, by export thereof, your legal status or otherwise, cause us to violate any law; and (3) to indemnify us against any losses from a failure by you or a third party to comply with law or these terms and conditions, or from use of the product.

SAFETY

WARNING: Improper Selection or Failure to follow Usage Instructions of the products described on the Sizto Tech Corporation (STC) Internet Site and its related publications can cause Death, Personal Injury, and Property Damage. All system set-ups require the supervision of a qualified individual who is familiar with installation, inspection and testing through training or experience.

IMPORTANT NOTICE:

All prices are subject to change without notice. We continuously improve the products, and we reserve the right to change specifications without incurring any obligation to incorporate new factors in equipment previously sold.

Information contained herein may be changed without prior notification.

Sizto Tech Corporation

892 Commercial Street

Palo Alto, CA 94043 USA

Tel: 650-856-8833 | Fax: 650-856-8811

Email: Sales@StcValve.com | www.StcValve.com



www.StcValve.com