

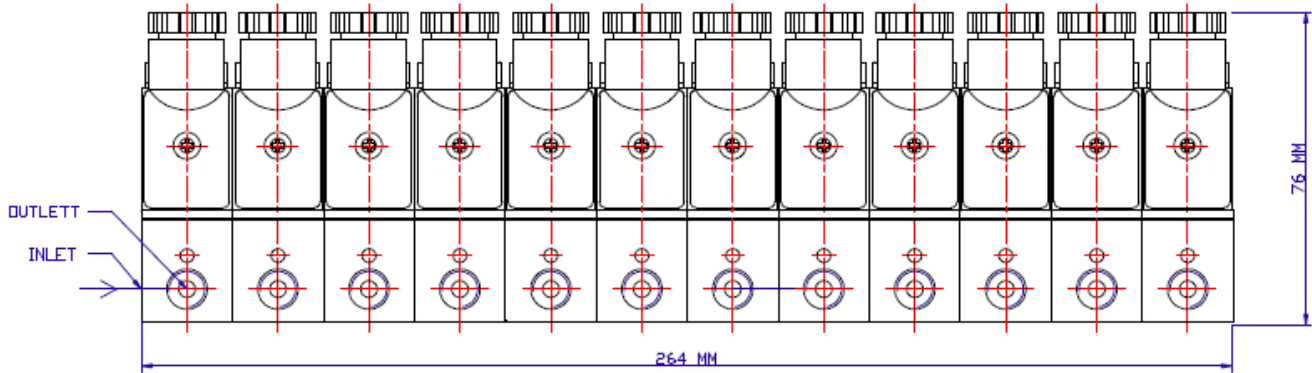
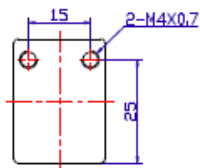
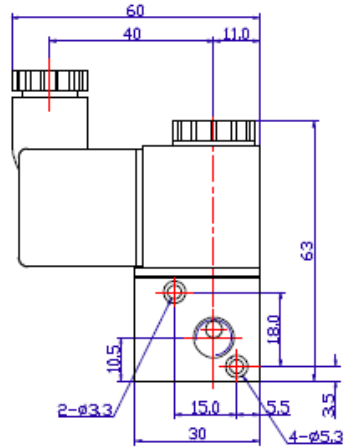
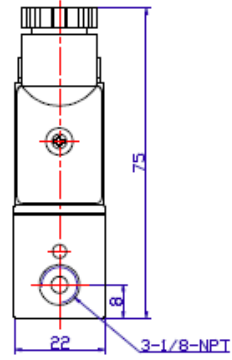
2V1-3V1 SERIES SOLENOID VALVE



Valve Model	2V1	3V1
Port & Mounting	Body Ported, Stacking	
Action & Motion	Solenoid, Direct Acting, 2 Way Response Time <20ms	Solenoid, Direct Acting, 3 Way Response Time <20ms
Operating Pressure	0 to 115 PSI	
Port Sizes	1/8 NPT	
Operating Temp.	14 to 140 °F	
C _v	0.23	0.05
SFCM @ 100PSI	22	5
Manual Override	None	
Electrical Connection	Grommet, DIN	
Working Medium	40 micron filtered air or inert gas	
Coil Insulation & Protection Class	IP 65, Class F	
Coil Duty Cycle	100% ED	
Coil Voltage Options	Options: 12, 24 VDC; 24, 110/120, 220/240 VAC (50/60Hz)	
Coil Power	40 PSI: 3W, 60 PSI: 4.8W, 115 PSI: 6.5W	
Valve Body Material	Anodized Aluminum	
Coil Locking Nut	M8X0.75 Threads	
Seal Material	NBR (Buna N)	
Lubrication	Not Required	

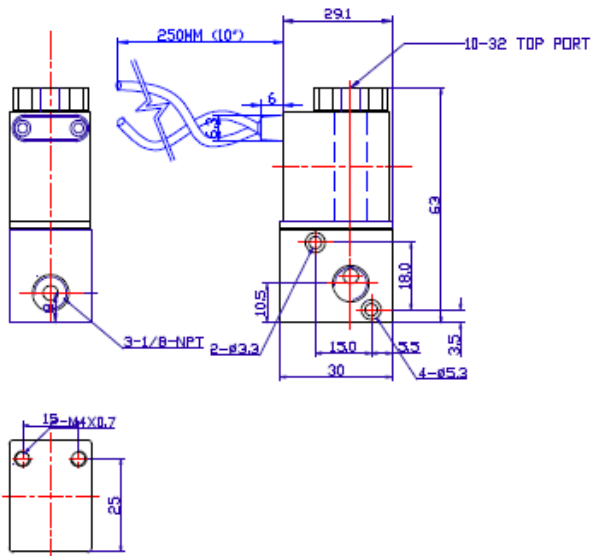
2V1-3V1 SERIES SOLENOID VALVE DIMENSIONS

TYPE: 2V1-1/8

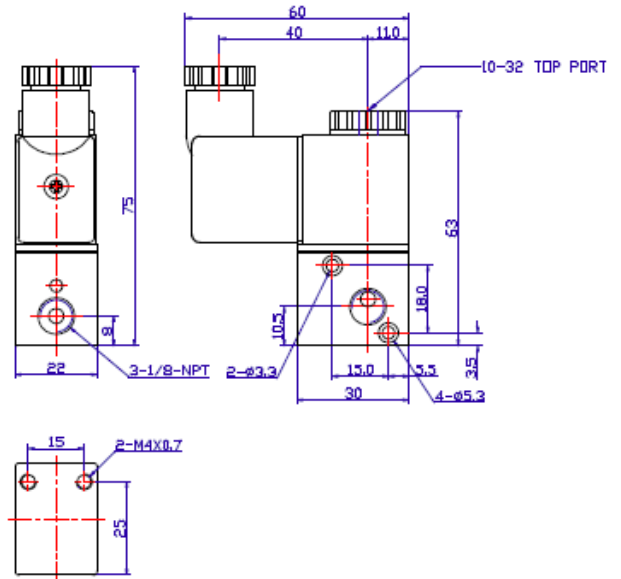


2V1-3V1 SERIES SOLENOID VALVE DIMENSIONS

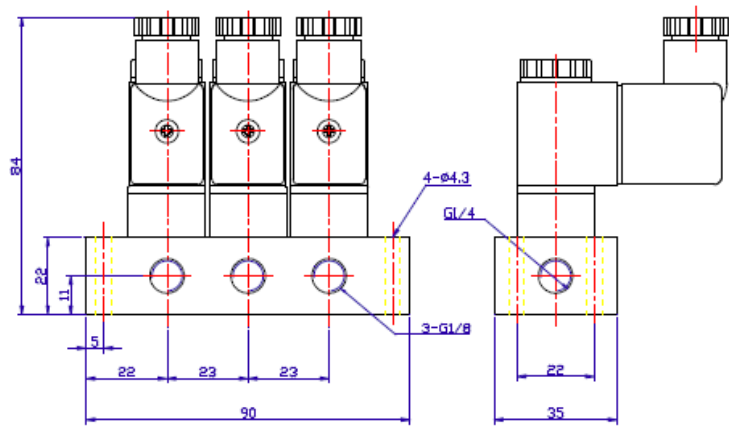
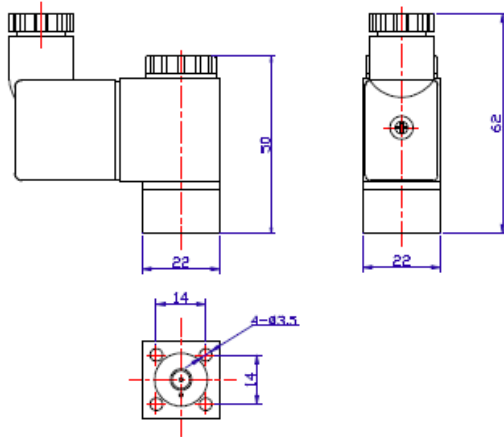
MODEL 3V1-1/8 (GROMETT COIL, UNIT MM)



MODEL 3V1-1/8 (DIN COIL, UNIT MM)



TYPE 3V1-06B



2V1 and 3V1 Assembly

Assembling 2V1 and 3V1 valves will allow for individual control over multiple outlets with a single source, or allow for multiple sources to individually flow into a common outlet.

When all solenoids are inactive, there is flow straight through the connected inlets/default outlet of the valves. At the same time, for models 3V1 in the assembly, there is flow between the active outlet and the exhaust. For 2V1 models, the active outlet remains closed.

When the solenoid on one of the valves is active, the inlet/default outlet and the active outlet are connected, and the

Reference Figures:

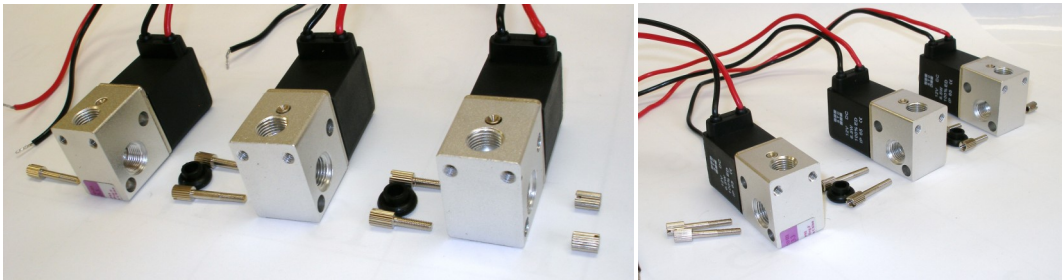
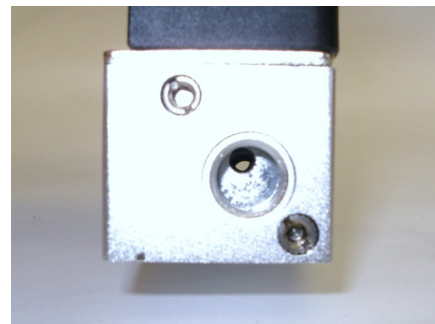


Figure 1: Parts of a 2V1 and 3V1 assembly. When connected, air flows through the inlets/default outlets, which are the horizontally oriented ports in this picture. The vertically oriented ports in the 3V1 valves are connected to the exhaust, which is above the black solenoid coils.



Figure 2: 2V1 and 3V1 fully assembled. The right port is the default inlet/outlet, and the three ports to the left are the active inlets/outlets. Exhaust ports are on the top of the assembly.

Figure 3: Default inlet/outlets on the side of the assembly.



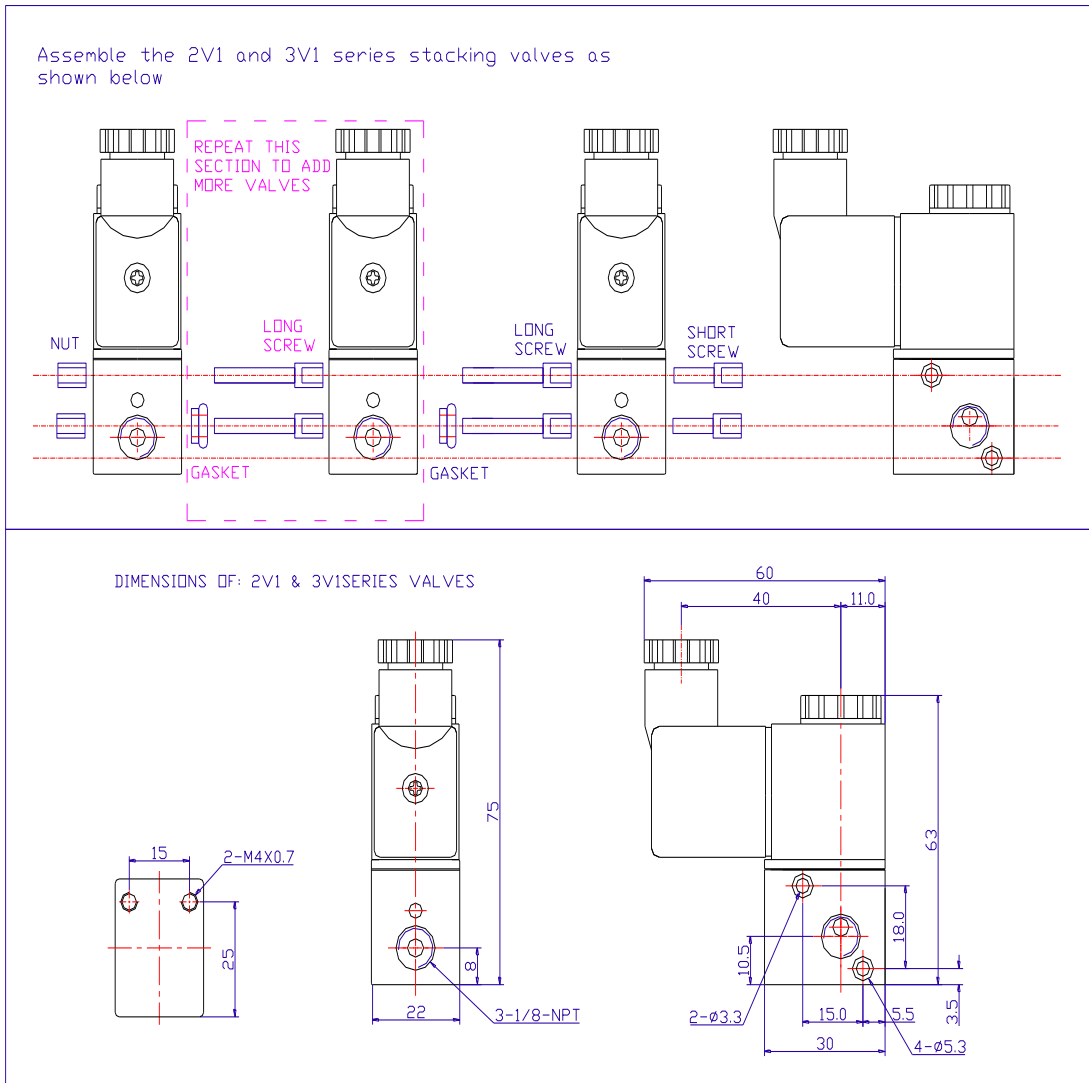
To install coil:

For Valve with Plastic Nut: Put the coil onto the armature tube of the valve. Put the lock-washer and nut onto the armature tube. Hand tighten the nut until coil is secured. **Do not over-tighten the nut with a wrench, it may cause the armature tube to fail pre-maturely.**

For Valve with Metal Nut: Put the coil onto the armature tube of the valve. Put the lock-washer and nut onto the armature tube. Hand tighten the nut until coil is secured, then use a wrench to tighten the nut to a quarter turn; **do not over-tighten the nut, it may cause the armature tube to fail pre-maturely.**

Assembly of 2V1 and 3V1 Solenoid Valves

Installation of direct acting 2 way and 3 way solenoid valves:
 Connect the inlet and out as shown in the diagram.



CONNECTION 2V025–035, 2V1, 3V1 Solenoid Coils

Electrical Connections

To connect DIN coil:

1. Remove the Philip screw from the plastic housing and unplug it from the DIN coil.
2. From the screw opening, use the screw to push the terminal block out of the plastic housing.
3. Note the 1, 2 and ground markings on underside of DIN enclosure.
4. For DC DIN Coil, Connect 1 to Positive, 2 to Negative.
5. For AC DIN Coil, connect 1 to HOT wire, 2 to Neutral wire, and if required connect ground to ground wire.

To connect Grommet coil:

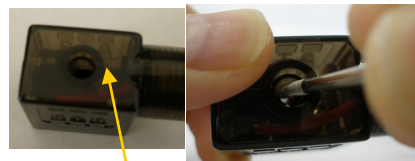
1. For DC Coil, connect the RED wire to Positive, and the BLACK wire to Negative.
2. For AC Coil, connect the BLACK wire to HOT wire, and the WHITE wire to neutral wire.

Do not energize the coil without installing it onto the valve, it will burn the coil and create fire hazards.

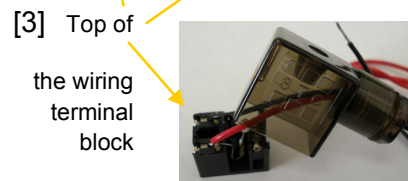
[1] Remove the Philip screw from the plastic housing.



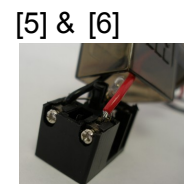
[2] Unplug the plastic housing from the DIN coil.



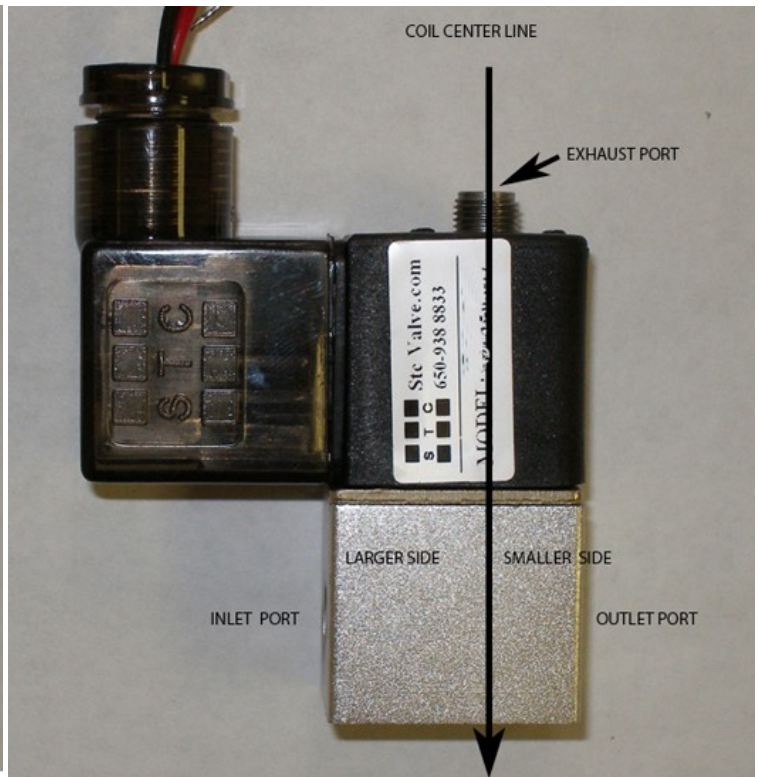
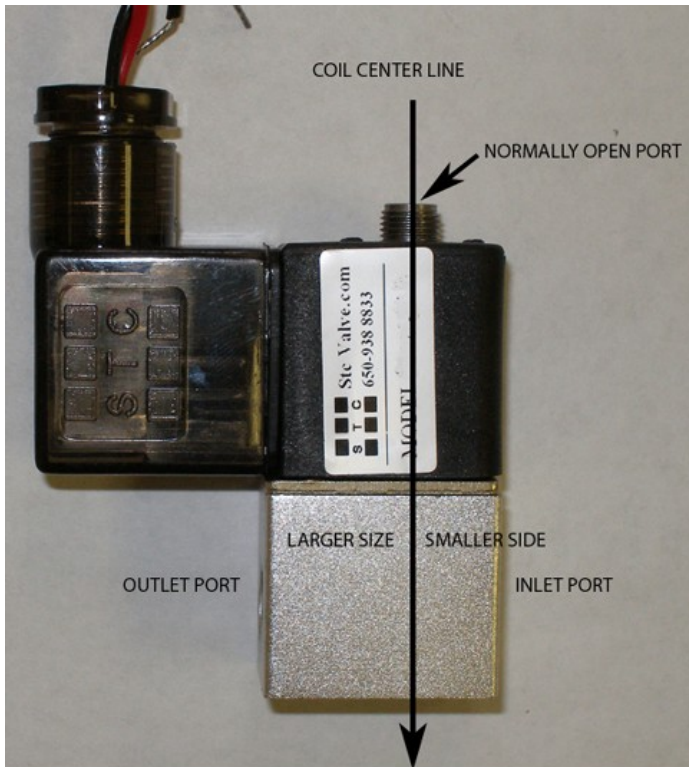
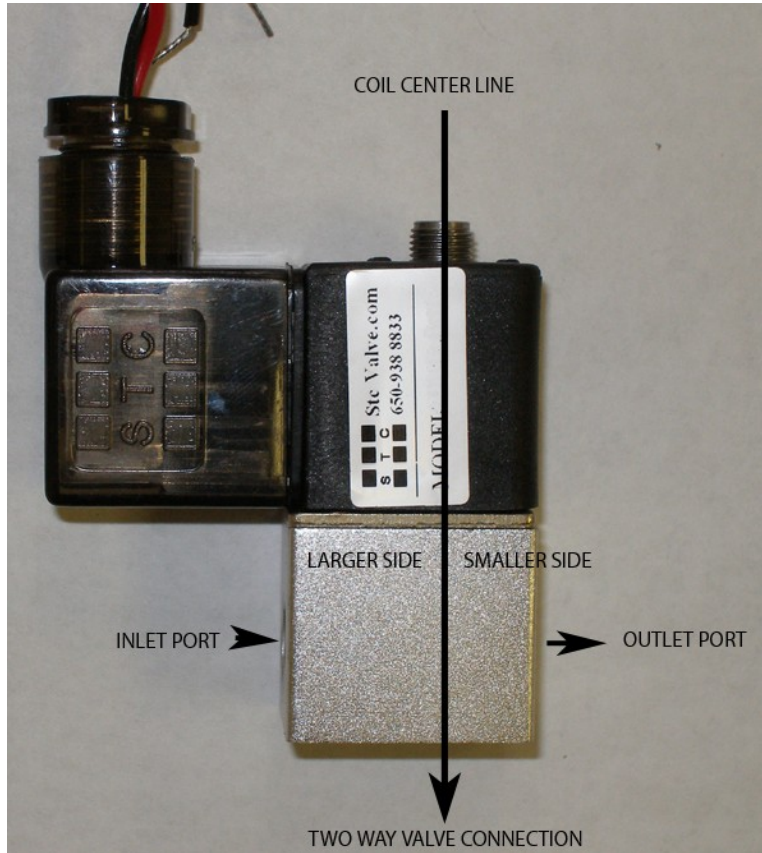
[3] From the screw opening, use the screw to push the terminal block out of the plastic housing.



[4] Note the 1, 2, and ground markings on underside of DIN enclosure.

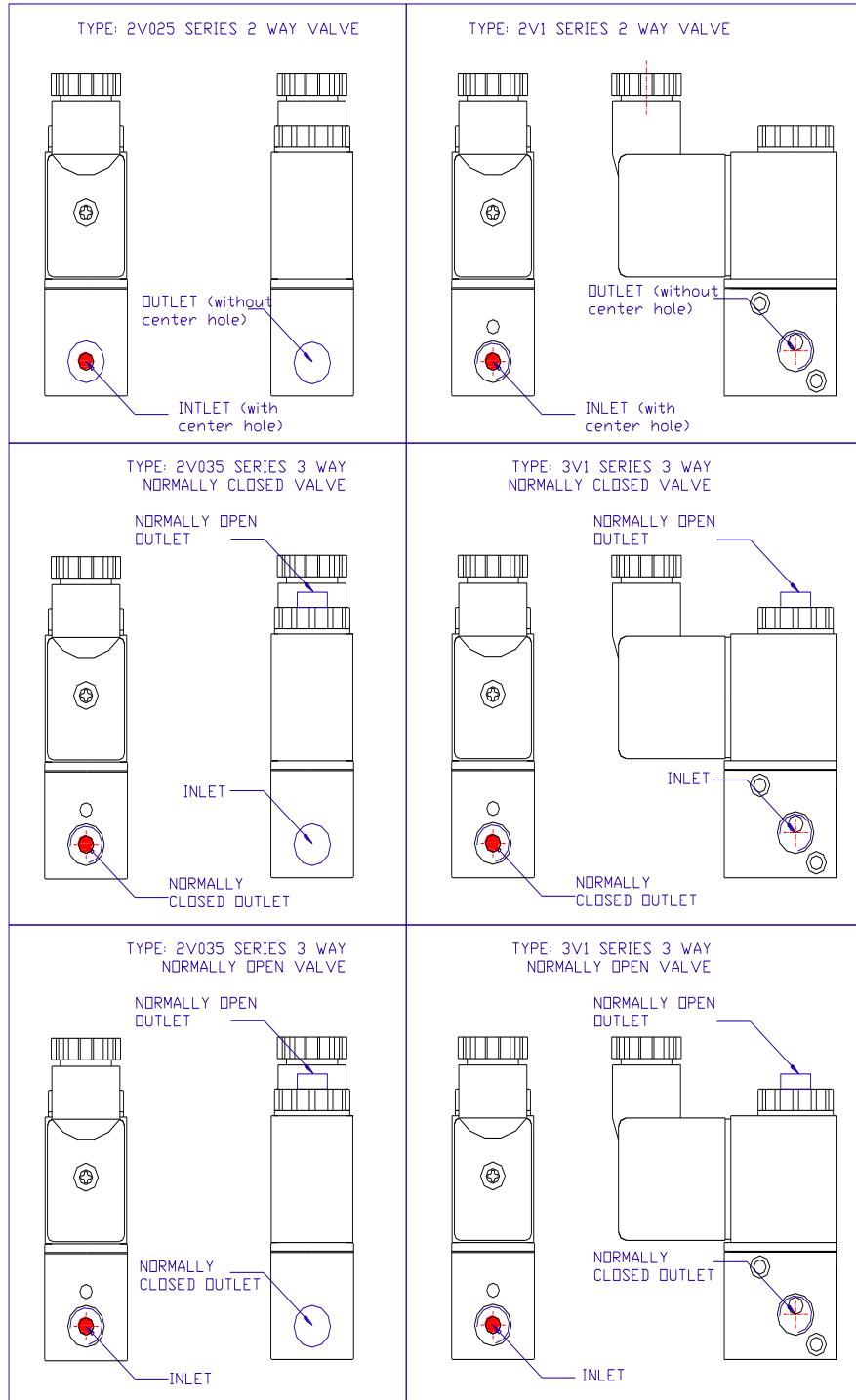


Connection of 2V025-035, 2V1, 3V1 Solenoid Valves



CONNECTION 2V025-035, 2V1, 3V1 Solenoid Valves

Installation of direct acting 2 way and 3 way solenoid valves:
Connect the inlet and out as shown in the diagram.



Terms and Conditions

By purchasing from SIZTO TECH CORPORATION (STC), you agree to these TERMS AND CONDITIONS. No other terms shall apply except as agreed in writing signed by us. We reserve the right to correct typographic errors and reject orders.

SHIPMENTS:

All shipments are F.O.B. 892 Commercial Street, Palo Alto, CA 94303, USA. Most orders are shipped via UPS Standard Ground unless instructions accompany order. Outside the UPS zones, shipment will be made Best Way. The responsibility for goods delay, lost or damaged in transit rests with the carrier and purchaser. Purchaser may purchase shipping insurance to cover lost or damaged products caused by shipping.

RETURN OF MERCHANDISE:

No merchandise is accepted for return 30 days after delivery date. No credit allowed on merchandise shipped as ordered and returned without obtaining an authorization number IN ADVANCE. A 20% restocking charge applies to all returns, and transportation charges must be fully pre-paid. We will pay **ground** transportation charges on re-sent or returned merchandise due to STC's error.

Shortages & Mis-Shipments: Any shortages or mis-shipment must be reported within 15 days.

CANCELLATION POLICY:

Blanket order can be canceled 90 days before scheduled ship date. There will be a 10% charge if a blanket order is cancel within 90 days of scheduled ship date, and a 20% charge if cancel within 60 days. Regular order for non-custom parts can be canceled any time before the order is shipped. For custom parts, a 30% down payment is required either at the time of order or 90 days prior to scheduled ship date, whichever comes later.

Remittances should be sent to:

Sizto Tech Corporation, 892 Commercial Street, Palo Alto, CA 94303, USA

Credit Card Payments: Visa, MasterCard, Discover, or American Express Accepted

International Customers: Advance Payment Required via Bank Wire, Cashier's Check or Approved Credit Card.

Credit Application: To establish a net 30 day account, please mail or fax three trade references with complete mailing addresses and account numbers.

LIMITED WARRANTY – IMPORTANT NOTICE TO PURCHASER:

Sizto Tech Corporation (STC) only warrants this product to be free from defects in materials and workmanship at the time of shipment. This limited warranty expires one year after delivery to the end-user. STC's entire obligation to the Purchaser for breach of this limited warranty shall be limited to replacement of the defective product or refund of the original purchase price of this product, at STC's option. Purchaser has thirty (30) days to return the goods after STC has agreed to accept the return. All freight charges on returned material shall be paid by the Purchaser. STC's limited warranty shall not apply, however, to the product that have been subjected to misuse, alteration, accident or negligence during handling or storage.

DISCLAIMER OF IMPLIED WARRANTIES:

All implied warranties, which may arise by implication of law or application of course of dealing or usage of trade, including, but not limited to, implied warranties of merchantability or fitness for a particular purpose are expressly excluded. There are no warranties, which extend beyond the description of the faced hereof. The end user is solely responsible for the suitability and fitness of this product selected for a particular application.

