

# Air Filter-Regulator-Lubricators (FRLs)



Precision Engineered

Fine Quality



Advanced Design

Excellent Prices



## Contents

|   |           |
|---|-----------|
| Filter Regulator Lubricator Numbering System..... | E2        |
| Air Filter-Regulator-Lubricator List Price.....   | E3        |
| Air Filter & Regulator List Price.....            | E4        |
| Air Lubricator & Filter-Regulator List Price..... | E5        |
| FRL Mounting Hardware List Price.....             | E6        |
| Air FRL Specifications.....                       | E7        |
| Air Filter-Regulator-Lubricator Flow Charts.....  | E8 - E12  |
| Air Filter-Regulator-Lubricator Dimensions.....   | E13 - E15 |
| FRL Mounting Hardware Dimensions.....             | E16       |

Ordering Part No. =  
(e.g., **AC 1000-00-D**)



| Model                                |            |
|--------------------------------------|------------|
| A Series                             |            |
| Filter-Regulator-Lubricator          | <b>AC</b>  |
| Stacking Filter-Regulator-Lubricator | <b>AC</b>  |
| Filter                               | <b>AF</b>  |
| Lubricator                           | <b>AL</b>  |
| Regulator                            | <b>AR</b>  |
| Stacking Filter-Regulator            | <b>AW</b>  |
| Relieving Shut-off/Lockout Valve     | <b>VHS</b> |

| Body Size                    |             |
|------------------------------|-------------|
| A Series                     |             |
| AC / AF / AL / AR / AW / VHS | <b>1000</b> |
|                              | <b>2000</b> |
|                              | <b>3000</b> |
|                              | <b>4000</b> |
|                              | <b>5000</b> |
| AC—                          | <b>1010</b> |
| Stacking                     | <b>2010</b> |
| Filter-Regulator-Lubricator  | <b>3010</b> |
|                              | <b>4010</b> |
|                              | <b>5010</b> |






| Tube OD    |           |
|------------|-----------|
| 10-32 (M5) | <b>00</b> |
| 1/8 NPT    | <b>01</b> |
| 1/4 NPT    | <b>02</b> |
| 3/8 NPT    | <b>03</b> |
| 1/2 NPT    | <b>04</b> |
| 3/4 NPT    | <b>06</b> |
| 1 NPT      | <b>10</b> |

| Options                                 |            |
|---|------------|
| Automatic Drain                         | <b>D</b>   |
| Drain Cock (with manual shut off valve) | <b>DC</b>  |
| Metal Bowl (with sight glass)           | <b>M</b>   |
| 30PSI Regulating Range                  | <b>P30</b> |
| 60PSI Regulating Range                  | <b>P60</b> |
| 5 Micron Filter                         | <b>F5</b>  |
| Without                                 | <b>N</b>   |
| Bracket                                 | <b>B</b>   |
| Pressure Gauge                          | <b>G</b>   |

| Standard Features  |
|--|
| • Polycarbonate Bowl (3000-5000 Series with Steel Bowl Shield) |
| • 125 PSI Regulating Range                                     |
| • Semi-auto Differential Drain                                 |
| • 25 Micron Sintered Brass Filter                              |

# Air Filter-Regulator-Lubricators (FRLs)







|  | Part No.   | Description (*Includes Bracket & Gauge)  | List Price  |          |
|--|--|--|---|----------|
|  <p>*Includes Bracket &amp; Gauge</p>   | AC1000-M5  | M5/10-32 Filter- Regulator- Lubricator* (3 SCFM)   | \$53.95   |          |
|  | AC2000-01  | 1/8" NPT Filter- Regulator- Lubricator* (18 SCFM)  | \$56.64   |          |
|  | AC2000-01D   | 1/8" NPT Filter- Regulator- Lubricator* with Auto Drain (18 SCFM)                          | \$76.01   |          |
|  | AC2000-01M   | 1/8" NPT Filter- Regulator- Lubricator* Metal Bowl (18 SCFM)                               | \$68.40   |          |
|  | AC2000-01DM  | 1/8" NPT Filter- Regulator- Lubricator* with Auto Drain & Metal Bowl (18 SCFM)             | \$83.91   |          |
|  | AC2000-02  | 1/4" NPT Filter- Regulator- Lubricator* (18 SCFM)  | \$56.64   |          |
|  | AC2000-02D   | 1/4" NPT Filter- Regulator- Lubricator* with Auto Drain (18 SCFM)                          | \$76.01   |          |
|  | AC2000-02M   | 1/4" NPT Filter- Regulator- Lubricator* Metal Bowl (18 SCFM)                               | \$66.78   |          |
|  <p>*Includes Bracket &amp; Gauge</p>   | AC3000-02  | 1/4" NPT Filter- Regulator- Lubricator* (70 SCFM)  | \$87.10   |          |
|  | AC3000-02D   | 1/4" NPT Filter- Regulator- Lubricator* with Auto Drain (70 SCFM)                          | \$112.44  |          |
|  | AC3000-02M   | 1/4" NPT Filter- Regulator- Lubricator* with Metal Bowl (70 SCFM)                          | \$102.30  |          |
|  | AC3000-02DM  | 1/4" NPT Filter- Regulator- Lubricator* with Auto Drain & Metal Bowl (70 SCFM)             | \$127.65  |          |
|  | AC3000-03  | 3/8" NPT Filter- Regulator- Lubricator* (70 SCFM)  | \$87.10   |          |
|  | AC3000-03D   | 3/8" NPT Filter- Regulator- Lubricator* with Auto Drain (70 SCFM)                          | \$112.44  |          |
|  | AC3000-03M   | 3/8" NPT Filter- Regulator- Lubricator* with Metal Bowl (70 SCFM)                          | \$102.30  |          |
|  | AC3000-03DM  | 3/8" NPT Filter- Regulator- Lubricator* with Auto Drain & Metal Bowl (70 SCFM)             | \$127.64  |          |
|  | AC4000-03  | 3/8" NPT Filter- Regulator- Lubricator* (140 SCFM)   | \$117.48  |          |
|  | AC4000-03D   | 3/8" NPT Filter- Regulator- Lubricator* with Auto Drain (140 SCFM)                         | \$149.07  |          |
|  | AC4000-03M   | 3/8" NPT Filter- Regulator- Lubricator* with Metal Bowl (140 SCFM)                         | \$147.90  |          |
|  | AC4000-03DM  | 3/8" NPT Filter- Regulator- Lubricator* with Auto Drain & Metal Bowl (140 SCFM)            | \$165.65  |          |
|  | AC4000-04  | 1/2" NPT Filter- Regulator- Lubricator* (140 SCFM)   | \$117.48  |          |
|  | AC4000-04D   | 1/2" NPT Filter- Regulator- Lubricator* with Auto Drain (140 SCFM)                         | \$149.07  |          |
|  | AC4000-04M   | 1/2" NPT Filter- Regulator- Lubricator* with Metal Bowl (140 SCFM)                         | \$147.90  |          |
|  | AC4000-04DC  | 1/2" NPT Filter- Regulator- Lubricator* with Drain Cock (manual shut off valve) (140 SCFM) | \$117.48  |          |
|  | AC4000-04DM  | 1/2" NPT Filter- Regulator- Lubricator* with Auto Drain & Metal Bowl (140 SCFM)            | \$165.65  |          |
|  | AC4000-06  | 3/4" NPT Filter- Regulator- Lubricator* (160 SCFM)   | \$128.50  |          |
|  | AC4000-06D   | 3/4" NPT Filter- Regulator- Lubricator* with Auto Drain (160 SCFM)                         | \$160.09  |          |
|  | AC4000-06M   | 3/4" NPT Filter- Regulator- Lubricator* with Metal Bowl (160 SCFM)                         | \$158.91  |          |
|  | AC4000-06DM  | 3/4" NPT Filter- Regulator- Lubricator* with Auto Drain & Metal Bowl (160 SCFM)            | \$176.65  |          |
|  |  <p>*Includes Bracket &amp; Gauge</p> | AC5000-10  | 1" NPT Filter- Regulator- Lubricator* (180 SCFM)  | \$161.96 |
|  |  | AC5000-10D   | 1" NPT Filter- Regulator- Lubricator* with Auto Drain (180 SCFM)                        | \$203.78 |
|  |  | AC5000-10M   | 1" NPT Filter- Regulator- Lubricator* with Metal Bowl (180 SCFM)                        | \$199.22 |
| AC5000-10DM  |  | 1" NPT Filter- Regulator- Lubricator* with Auto Drain & Metal Bowl (180 SCFM)              | \$237.13  |          |
|  <p>*Includes Bracket &amp; Gauge</p> |  | AC1010-M5  | M5/10-32 Stacking Filter- Regulator- Lubricator* (3 SCFM)                               | \$48.25  |
|  |  | AC2010-01  | 1/8" NPT Stacking Filter- Regulator- Lubricator* (18 SCFM)                              | \$51.33  |
|  |  | AC2010-01D   | 1/8" NPT Stacking Filter- Regulator- Lubricator* with Auto Drain (18 SCFM)              | \$70.76  |
|  |  | AC2010-01M   | 1/8" NPT Stacking Filter- Regulator- Lubricator* with Metal Bowl (18 SCFM)              | \$61.47  |
|  |  | AC2010-01DM  | 1/8" NPT Stacking Filter- Regulator- Lubricator* with Auto Drain & Metal Bowl (18 SCFM) | \$78.34  |
|  |  | AC2010-02  | 1/4" NPT Stacking Filter- Regulator- Lubricator* (18 SCFM)                              | \$51.33  |
|  | AC2010-02D   | 1/4" NPT Stacking Filter- Regulator- Lubricator* with Auto Drain (18 SCFM)                 | \$70.76   |          |
|  | AC2010-02M   | 1/4" NPT Stacking Filter- Regulator- Lubricator* with Metal Bowl (18 SCFM)                 | \$63.27   |          |
|  | AC2010-02DM  | 1/4" NPT Stacking Filter- Regulator- Lubricator* with Auto Drain & Metal Bowl (18 SCFM)    | \$78.36   |          |
|  | AC3010-02  | 1/4" NPT Stacking Filter- Regulator- Lubricator* (60 SCFM)                                 | \$71.85   |          |
|  | AC3010-02D   | 1/4" NPT Stacking Filter- Regulator- Lubricator* with Auto Drain (60 SCFM)                 | \$97.21   |          |
|  | AC3010-02M   | 1/4" NPT Stacking Filter- Regulator- Lubricator* with Metal Bowl (60 SCFM)                 | \$82.82   |          |
|  | AC3010-02DM  | 1/4" NPT Stacking Filter- Regulator- Lubricator* with Auto Drain & Metal Bowl (60 SCFM)    | \$104.55  |          |
|  | AC3010-03  | 3/8" NPT Stacking Filter- Regulator- Lubricator* (60 SCFM)                                 | \$71.85   |          |
| AC3010-03D   | 3/8" NPT Stacking Filter- Regulator- Lubricator* with Auto Drain (60 SCFM)   | \$97.21  |   |          |
| AC3010-03M   | 3/8" NPT Stacking Filter- Regulator- Lubricator* with Metal Bowl (60 SCFM)   | \$87.07  |   |          |
| AC3010-03DM  | 3/8" NPT Stacking Filter- Regulator- Lubricator* with Auto Drain & Metal Bowl (60 SCFM)                                  | \$104.91   |   |          |
|  <p>*Includes Bracket &amp; Gauge</p> | AC4010-03  | 3/8" NPT Stacking Filter- Regulator- Lubricator* (105 SCFM)                                | \$103.79  |          |
|  | AC4010-03D   | 3/8" NPT Stacking Filter- Regulator- Lubricator* with Auto Drain (105 SCFM)                | \$135.39  |          |
|  | AC4010-03M   | 3/8" NPT Stacking Filter- Regulator- Lubricator* with Metal Bowl (105 SCFM)                | \$134.21  |          |
|  | AC4010-03DM  | 3/8" NPT Stacking Filter- Regulator- Lubricator* with Auto Drain & Metal Bowl (105 SCFM)   | \$151.97  |          |
|  | AC4010-04  | 1/2" NPT Stacking Filter- Regulator- Lubricator* (105 SCFM)                                | \$103.79  |          |
|  | AC4010-04D   | 1/2" NPT Stacking Filter- Regulator- Lubricator* with Auto Drain (105 SCFM)                | \$135.39  |          |
|  | AC4010-04M   | 1/2" NPT Stacking Filter- Regulator- Lubricator* with Metal Bowl (105 SCFM)                | \$134.21  |          |
|  | AC4010-04DM  | 1/2" NPT Stacking Filter- Regulator- Lubricator* with Auto Drain & Metal Bowl (105 SCFM)   | \$151.97  |          |
|  | AC4010-06  | 3/4" NPT Stacking Filter- Regulator- Lubricator* (105 SCFM)                                | \$118.63  |          |
|  | AC4010-06D   | 3/4" NPT Stacking Filter- Regulator- Lubricator* with Auto Drain (105 SCFM)                | \$150.22  |          |
|  | AC4010-06M   | 3/4" NPT Stacking Filter- Regulator- Lubricator* with Metal Bowl (105 SCFM)                | \$143.72  |          |
|  | AC4010-06DM  | 3/4" NPT Stacking Filter- Regulator- Lubricator* with Auto Drain & Metal Bowl (105 SCFM)   | \$150.48  |          |
|  | AC5010-10  | 1" NPT Stacking Filter- Regulator- Lubricator* (140 SCFM)                                  | \$148.29  |          |
|  | AC5010-10D   | 1" NPT Stacking Filter- Regulator- Lubricator* with Auto Drain (140 SCFM)                  | \$179.88  |          |
| AC5010-10DM  | 1" NPT Stacking Filter- Regulator- Lubricator* with Auto Drain & Metal Bowl (140 SCFM)                                   | \$237.13   |   |          |

# Air Filter & Regulator List Price











|  | Part No.  | Description (*Includes Bracket & Gauge)                | List Price |
|--|---|--|------------|
|   | AF1000-M5   | M5 Filter (4 SCFM)                                     | \$13.68    |
|  | AF2000-01   | 1/8" NPT Filter (26 SCFM)                              | \$14.10    |
|  | AF2000-01D  | 1/8" NPT Filter with Auto Drain (26 SCFM)              | \$33.53    |
|  | AF2000-01M  | 1/8" NPT Filter with Metal Bowl (26 SCFM)              | \$20.98    |
|  | AF2000-01DM   | 1/8" NPT Filter with Auto Drain & Metal Bowl (26 SCFM) | \$35.35    |
|  | AF2000-02   | 1/4" NPT Filter (26 SCFM)                              | \$14.10    |
|  | AF2000-02D  | 1/4" NPT Filter with Auto Drain (26 SCFM)              | \$33.53    |
|  | AF2000-02M  | 1/4" NPT Filter with Metal Bowl (26 SCFM)              | \$20.98    |
|  | AF2000-02DM   | 1/4" NPT Filter Auto Drain & Metal Bowl (26 SCFM)      | \$36.89    |
|                                        | AF3000-02   | 1/4" NPT Filter (70 SCFM)                              | \$21.28    |
|  | AF3000-02D  | 1/4" NPT Filter with Auto Drain (70 SCFM)              | \$46.64    |
|  | AF3000-02M  | 1/4" NPT Filter with Metal Bowl (70 SCFM)              | \$28.88    |
|  | AF3000-02DM   | 1/4" NPT Filter Auto Drain & Metal Bowl (70 SCFM)      | \$50.69    |
|  | AF3000-03   | 3/8" NPT Filter (70 SCFM)                              | \$21.28    |
|  | AF3000-03D  | 3/8" NPT Filter with Auto Drain (70 SCFM)              | \$46.64    |
|  | AF3000-03M  | 3/8" NPT Filter with Metal Bowl (70 SCFM)              | \$28.88    |
|  | AF3000-03DM   | 3/8" NPT Filter Auto Drain & Metal Bowl (70 SCFM)      | \$49.30    |
|  | AF4000-03   | 3/8" NPT Filter (140 SCFM)                             | \$29.66    |
|  | AF4000-03D  | 3/8" NPT Filter with Auto Drain (140 SCFM)             | \$55.01    |
|  | AF4000-03M  | 3/8" NPT Filter with Metal Bowl (140 SCFM)             | \$37.26    |
|  | AF4000-03DM   | 3/8" NPT Filter Auto Drain & Metal Bowl (140 SCFM)     | \$62.61    |
|  | AF4000-04   | 1/2" NPT Filter (140 SCFM)                             | \$29.66    |
|  | AF4000-04D  | 1/2" NPT Filter with Auto Drain (140 SCFM)             | \$55.01    |
|  | AF4000-04M  | 1/2" NPT Filter with Metal Bowl (140 SCFM)             | \$37.26    |
|  | AF4000-04DM   | 1/2" NPT Filter Auto Drain & Metal Bowl (140 SCFM)     | \$62.61    |
|  | AF4000-06   | 3/4" NPT Filter (210 SCFM)                             | \$33.08    |
|  | AF4000-06D  | 3/4" NPT Filter with Auto Drain (210 SCFM)             | \$64.68    |
|  | AF4000-06M  | 3/4" NPT Filter with Metal Bowl (210 SCFM)             | \$40.68    |
|  | AF4000-06DM   | 3/4" NPT Filter Auto Drain & Metal Bowl (210 SCFM)     | \$68.12    |
| AF5000-10  | 1" NPT Filter (245 SCFM)                              | \$44.09  |            |
| AF5000-10D   | 1" NPT Filter with Auto Drain (245 SCFM)              | \$75.73  |            |
| AF5000-10M   | 1" NPT Filter with Metal Bowl (245 SCFM)              | \$51.70  |            |
| AF5000-10DM  | 1" NPT Filter with Auto Drain & Metal Bowl (245 SCFM) | \$77.04  |            |
|  <p>*Includes Bracket &amp; Gauge</p> | AR1000-M5   | M5/10-32 Regulator* (4 SCFM)                           | \$22.77    |
|  | AR2000-01   | 1/8" NPT Regulator* (19 SCFM)                          | \$23.55    |
|  | AR2000-02   | 1/4" NPT Regulator* (19 SCFM)                          | \$23.55    |
|  | AR2500-02   | 1/4" NPT Regulator* (50 SCFM)                          | \$33.64    |
|  | AR3000-02   | 1/4" NPT Regulator* (88 SCFM)                          | \$36.49    |
|  | AR3000-03   | 3/8" NPT Regulator* (88 SCFM)                          | \$36.49    |
|  | AR4000-03   | 3/8" NPT Regulator* (210 SCFM)                         | \$48.66    |
|  | AR4000-04   | 1/2" NPT Regulator* (210 SCFM)                         | \$48.66    |
|  | AR4000-06   | 3/4" NPT Regulator* (210 SCFM)                         | \$56.26    |
|  | AR5000-06   | 3/4" NPT Regulator* (280 SCFM)                         | \$60.86    |
| AR5000-10  | 1" NPT Regulator* (280 SCFM)                          | \$60.86  |            |

# Air Lubricator & Filter-Regulator List Price



|  | Part No.   | Description (*Includes Bracket & Gauge)                        | List Price |
|--|--|--|------------|
|   | AL1000-M5  | M5 Lubricator (3 SCFM)   | \$13.68    |
|  | AL2000-01  | 1/8" NPT Lubricator (28 SCFM)                                  | \$14.10    |
|  | AL2000-01M   | 1/8" NPT Lubricator with Metal Bowl (28 SCFM)                  | \$20.64    |
|  | AL2000-02  | 1/4" NPT Lubricator (28 SCFM)                                  | \$14.10    |
|  | AL2000-02M   | 1/4" NPT Lubricator with Metal Bowl (28 SCFM)                  | \$20.64    |
|   | AL3000-02  | 1/4" NPT Lubricator (60 SCFM)                                  | \$21.28    |
|  | AL3000-02M   | 1/4" NPT Lubricator with Metal Bowl (60 SCFM)                  | \$28.88    |
|  | AL3000-03  | 3/8" NPT Lubricator (60 SCFM)                                  | \$21.28    |
|  | AL3000-03M   | 3/8" NPT Lubricator with Metal Bowl (60 SCFM)                  | \$28.88    |
|  | AL4000-03  | 3/8" NPT Lubricator (180 SCFM)                                 | \$29.66    |
|  | AL4000-03M   | 3/8" NPT Lubricator with Metal Bowl (180 SCFM)                 | \$44.86    |
|  | AL4000-04  | 1/2" NPT Lubricator (180 SCFM)                                 | \$29.66    |
|  | AL4000-04M   | 1/2" NPT Lubricator with Metal Bowl (180 SCFM)                 | \$44.86    |
|  | AL4000-06  | 3/4" NPT Lubricator (220 SCFM)                                 | \$33.08    |
|  | AL4000-06M   | 3/4" NPT Lubricator with Metal Bowl (220 SCFM)                 | \$50.03    |
|  <p>*Includes Bracket &amp; Gauge</p>  | AL5000-10  | 1" NPT Lubricator (245 SCFM)                                   | \$46.76    |
|  | AL5000-10M   | 1" NPT Lubricator with Metal Bowl (245 SCFM)                   | \$61.98    |
|  | AW1000-M5  | M5 Filter- Regulator* (3 SCFM)                                 | \$33.77    |
|  | AW2000-01  | 1/8" NPT Filter- Regulator* (19 SCFM)                          | \$33.83    |
|  | AW2000-01D   | 1/8" NPT Filter- Regulator* with Auto Drain (19 SCFM)          | \$51.57    |
|  | AW2000-01M   | 1/8" NPT Filter- Regulator* with Metal Bowl (19 SCFM)          | \$39.45    |
|  | AW2000-01DM  | 1/8" NPT Filter- Regulator* Auto Drain & Metal Bowl (19 SCFM)  | \$56.64    |
|  | AW2000-02  | 1/4" NPT Filter- Regulator* (19 SCFM)                          | \$33.83    |
|  | AW2000-02D   | 1/4" NPT Filter- Regulator* with Auto Drain (19 SCFM)          | \$51.57    |
|  | AW2000-02M   | 1/4" NPT Filter- Regulator* with Metal Bowl (19 SCFM)          | \$39.45    |
|  <p>*Includes Bracket &amp; Gauge</p> | AW2000-02DM  | 1/4" NPT Filter- Regulator* Auto Drain & Metal Bowl (19 SCFM)  | \$56.64    |
|  | AW3000-02  | 1/4" NPT Filter- Regulator* (70 SCFM)                          | \$45.62    |
|  | AW3000-02D   | 1/4" NPT Filter- Regulator* with Auto Drain (70 SCFM)          | \$70.97    |
|  | AW3000-02M   | 1/4" NPT Filter- Regulator* with Metal Bowl (70 SCFM)          | \$53.23    |
|  | AW3000-02DM  | 1/4" NPT Filter- Regulator* Auto Drain & Metal Bowl (70 SCFM)  | \$78.57    |
|  | AW3000-03  | 3/8" NPT Filter- Regulator* (70 SCFM)                          | \$45.62    |
|  | AW3000-03D   | 3/8" NPT Filter- Regulator* with Auto Drain (70 SCFM)          | \$70.97    |
|  | AW3000-03M   | 3/8" NPT Filter- Regulator* with Metal Bowl (70 SCFM)          | \$53.23    |
|  | AW3000-03DM  | 3/8" NPT Filter- Regulator* Auto Drain & Metal Bowl (70 SCFM)  | \$78.57    |
|  | AW4000-03  | 3/8" NPT Filter- Regulator* (140 SCFM)                         | \$68.44    |
|  | AW4000-03D   | 3/8" NPT Filter- Regulator* with Auto Drain (140 SCFM)         | \$100.03   |
|  | AW4000-03M   | 3/8" NPT Filter- Regulator* with Metal Bowl (140 SCFM)         | \$83.64    |
|  | AW4000-03DM  | 3/8" NPT Filter- Regulator* Auto Drain & Metal Bowl (140 SCFM) | \$115.21   |
|  | AW4000-04  | 1/2" NPT Filter- Regulator* (140 SCFM)                         | \$68.44    |
|  | AW4000-04D   | 1/2" NPT Filter- Regulator* with Auto Drain (140 SCFM)         | \$100.03   |
|  | AW4000-04M   | 1/2" NPT Filter- Regulator* with Metal Bowl (140 SCFM)         | \$83.64    |
|  | AW4000-04DM  | 1/2" NPT Filter- Regulator* Auto Drain & Metal Bowl (140 SCFM) | \$115.21   |
|  | AW4000-06  | 3/4" NPT Filter- Regulator* (160 SCFM)                         | \$79.85    |
|  | AW4000-06D   | 3/4" NPT Filter- Regulator* with Auto Drain (160 SCFM)         | \$111.44   |
|  | AW4000-06M   | 3/4" NPT Filter- Regulator* with Metal Bowl (160 SCFM)         | \$95.05    |
| AW4000-06DM  | 3/4" NPT Filter- Regulator* Auto Drain & Metal Bowl (160 SCFM) | \$126.63   |            |
| AW5000-10  | 1" NPT Filter- Regulator* (195 SCFM)                           | \$95.07  |            |
| AW5000-10D   | 1" NPT Filter- Regulator* with Auto Drain (195 SCFM)           | \$126.66   |            |
| AW5000-10M   | 1" NPT Filter- Regulator* with Metal Bowl (195 SCFM)           | \$110.29   |            |
| AW5000-10DM  | 1" NPT Filter- Regulator* Auto Drain & Metal Bowl (195 SCFM)   | \$141.86   |            |

# FRL Mounting Hardware List Price

|   | Part No.     | Description   | List Price |
|---|--------------|---|------------|
|    | Y20          | Spacer for AC2000 / AC2010  | \$4.42     |
|   | Y30          | Spacer for AC3000 / AC3010  | \$7.38     |
|   | Y40          | Spacer for AC4000-04 / AC4010-04  | \$8.83     |
|   | Y50          | Spacer for AC4000-06 / AC4000-06  | \$8.83     |
|   | Y60          | Spacer for AC5000 / AC5010  | \$9.21     |
|    | Y20L         | L-Type Spacer Bracket for AC2000  | \$4.81     |
|   | Y30L         | L-Type Spacer Bracket for AC3000  | \$7.38     |
|   | Y40L         | L-Type Spacer Bracket for AC4000-04   | \$8.83     |
|   | Y50L         | L-Type Spacer Bracket for AC4000-06   | \$8.83     |
|   | Y60L         | L-Type Spacer Bracket for AC5000  | \$9.21     |
|    | Y20T         | T-Type Spacer Bracket for AC2010  | \$5.16     |
|   | Y30T         | T-Type Spacer Bracket for AC3010  | \$8.83     |
|   | Y40T         | T-Type Spacer Bracket for AC4010-04   | \$9.58     |
|   | Y50T         | T-Type Spacer Bracket for AC4010-06   | \$10.32    |
|   | Y60T         | T-Type Spacer Bracket for AC5010  | \$14.76    |
|    | Y21-N01      | Spacer with 1/8 NPT Port for AC2000   | \$7.38     |
|   | Y21-N02      | Spacer with 1/4 NPT Port for AC2000   | \$7.38     |
|   | Y31-N01      | Spacer with 1/8 NPT Port for AC3000   | \$11.06    |
|   | Y31-N02      | Spacer with 1/4 NPT Port for AC3000   | \$11.06    |
|   | Y41-N02      | Spacer with 1/4 NPT Port for AC4000   | \$13.26    |
|   | Y41-N03      | Spacer with 3/8 NPT Port for AC4000   | \$14.47    |
|   | Y61-N03      | Spacer with 3/8 NPT Port for AC5000   | \$18.42    |
|   | B110L        | L-Bracket for AC1000  | \$4.42     |
|   | B210L        | L-Bracket for AC2000  | \$7.37     |
|   | B310L        | L-Bracket for AC3000  | \$8.83     |
|   | B410L        | L-Bracket for AC4000  | \$8.83     |
|   | B510L        | L-Bracket for AC4000-06   | \$9.21     |
|  | B110T        | T-Bracket for AC1010  | \$5.16     |
|   | B210T        | T-Bracket for AC2010  | \$8.10     |
|   | B310T        | T-Bracket for AC3010  | \$9.58     |
|   | B410T        | T-Bracket for AC4010  | \$10.31    |
|   | B510T        | T-Bracket for AC4010-06   | \$14.74    |
|  | B120         | Bracket for AR/AW1000   | \$2.22     |
|   | B220         | Bracket for AR/AW2000   | \$2.40     |
|   | B320         | Bracket for AR/AW3000   | \$2.95     |
|   | B420         | Bracket for AR/AW4000-5000  | \$3.69     |
|  | B240         | Bracket for AF/AL2000   | \$2.40     |
|   | B340         | Bracket for AF/AL3000   | \$3.24     |
|   | B440         | Bracket for AF/AL4000-04  | \$3.69     |
|   | B540         | Bracket for AF/AL4000-06  | \$4.42     |
|   | B640         | Bracket for AF/AL5000   | \$5.90     |
|  | GE 1-60      | 1" Dia. 1/16" 0-60 PSI back mount pressure gauge for 1000 series FRL          | \$7.10     |
|   | GE 1-160     | 1" Dia. 1/16" 0-160 PSI back mount pressure gauge for 1000 series FRL         | \$7.10     |
|   | GE 1 1/2-30  | 1 1/2" Dia. 1/8" NPT 0-30 PSI back mount pressure gauge for 2000 series FRL   | \$7.10     |
|   | GE 1 1/2-60  | 1 1/2" Dia. 1/8" NPT 0-60 PSI back mount pressure gauge for 2000 series FRL   | \$7.10     |
|   | GE 1 1/2-160 | 1 1/2" Dia. 1/8" NPT 0-160 PSI back mount pressure gauge for 2000 series FRL  | \$7.10     |
|   | GE 2-30      | 2" Dia. 1/4" NPT 0-30 PSI back mount pressure gauge for 3000-5000 series FRL  | \$7.61     |
|   | GE 2-60      | 2" Dia. 1/4" NPT 0-60 PSI back mount pressure gauge for 3000-5000 series FRL  | \$7.61     |
|   | GE 2-160     | 2" Dia. 1/4" NPT 0-160 PSI back mount pressure gauge for 3000-5000 series FRL | \$8.41     |
|   | GP 1 1/2-160 | 1 1/2" Dia. 1/8" NPT 0-160 PSI panel mount pressure gauge for 2000 series FRL | \$8.26     |
|   | GP 2-160     | 2" Dia. 1/4" NPT 0-160 PSI panel mount pressure gauge                         | \$8.76     |
|   | GA 1 1/2-60  | 1.5" Dia. 1/8" NPT 0-60 PSI SS housing back mount glycerin filled             | \$12.16    |
|   | GA 1 1/2-160 | 1.5" Dia. 1/8" NPT 0-160 PSI SS housing back mount glycerin filled            | \$12.16    |
|  | VHS2000-01   | 1/8" NPT Relieving Shut-off / Lockout Valve for 2000-01 Series FRL            | \$25.64    |
|   | VHS2000-02   | 1/4" NPT Relieving Shut-off / Lockout Valve for 2000-02 Series FRL            | \$25.64    |
|   | VHS3000-02   | 1/4" NPT Relieving Shut-off / Lockout Valve for 3000-02 Series FRL            | \$32.68    |
|   | VHS3000-03   | 3/8" NPT Relieving Shut-off / Lockout Valve for 3000-03 Series FRL            | \$32.68    |
|   | VHS4000-03   | 3/8" NPT Relieving Shut-off / Lockout Valve for 4000-03 Series FRL            | \$48.69    |
|   | VHS4000-04   | 1/2" NPT Relieving Shut-off / Lockout Valve for 4000-04 Series FRL            | \$48.69    |
|   | VHS5000-06   | 3/4" NPT Relieving Shut-off / Lockout Valve for 5000-06 Series FRL            | \$99.70    |
|   | VHS5000-10   | 1" NPT Relieving Shut-off / Lockout Valve for 5000-10 Series FRL              | \$99.70    |

# Air FRL Specifications



| Interchangeable with SMC—NAC Series FRL |                           |   |                           |                       |                           |                |                           |              |                           |                  |                           |
|---|---------------------------|---|---------------------------|-----------------------|---------------------------|----------------|---------------------------|--------------|---------------------------|------------------|---------------------------|
| Filter-Regulator-Lubricator (AC)        |                           | Stacking Filter-Regulator-Lubricator (AC) |                           | Filter-Regulator (AW) |                           | Regulator (AR) |                           | Filters (AF) |                           | Lubricators (AL) |                           |
| Model                                   | Air Flow Rate* SCFM (LPM) | Model                                     | Air Flow Rate* SCFM (LPM) | Model                 | Air Flow Rate* SCFM (LPM) | Model          | Air Flow Rate* SCFM (LPM) | Model        | Air Flow Rate* SCFM (LPM) | Model            | Air Flow Rate* SCFM (LPM) |
| AC 1000-00                              | 3 (90)                    | AC 1010-00                                | 3 (90)                    | AW 1000-00            | 3 (90)                    | AR 1000-00     | 4 (100)                   | AF 1000-00   | 4 (110)                   | AL 1000-00       | 3 (90)                    |
| AC 2000-XX                              | 18 (500)                  | AC 2010-XX                                | 18 (500)                  | AW 2000-XX            | 19 (550)                  | AR 2000-XX     | 19 (550)                  | AF 2000-XX   | 26 (760)                  | AL 2000-XX       | 28 (800)                  |
| AC 3000-XX                              | 70 (2000)                 | AC 3010-XX                                | 60 (1700)                 | AW 3000-XX            | 70 (2000)                 | AR 3000-XX     | 88 (2500)                 | AF 3000-XX   | 70 (2000)                 | AL 3000-XX       | 60 (1700)                 |
| AC 4000-XX                              | 140 (4000)                | AC 4010-XX                                | 105 (3000)                | AW 4000-XX            | 140 (4000)                | AR 4000-XX     | 210 (6000)                | AF 4000-XX   | 140 (4000)                | AL 4000-XX       | 180 (5000)                |
| AC 4000-06                              | 160 (4500)                | AC 4010-06                                | 105 (3000)                | AW 4000-06            | 160 (4500)                | AR 4000-06     | 210 (6000)                | AF 4000-06   | 210 (6000)                | AL 4000-06       | 220 (6300)                |
| AC 5000-XX                              | 180 (5000)                | AC 5010-XX                                | 140 (4000)                | AW 5000-XX            | 195 (5500)                | AR 5000-XX     | 280 (8000)                | AF 5000-XX   | 245 (7000)                | AL 5000-XX       | 245 (7000)                |

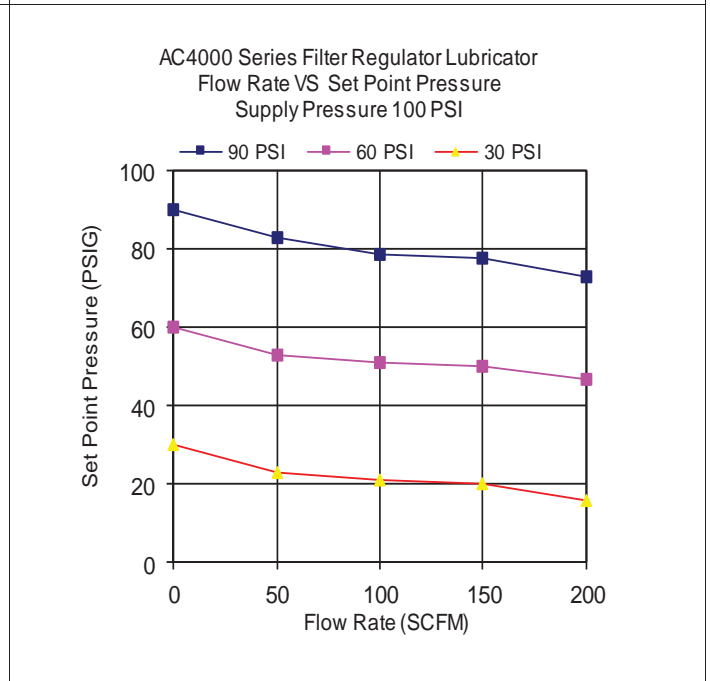
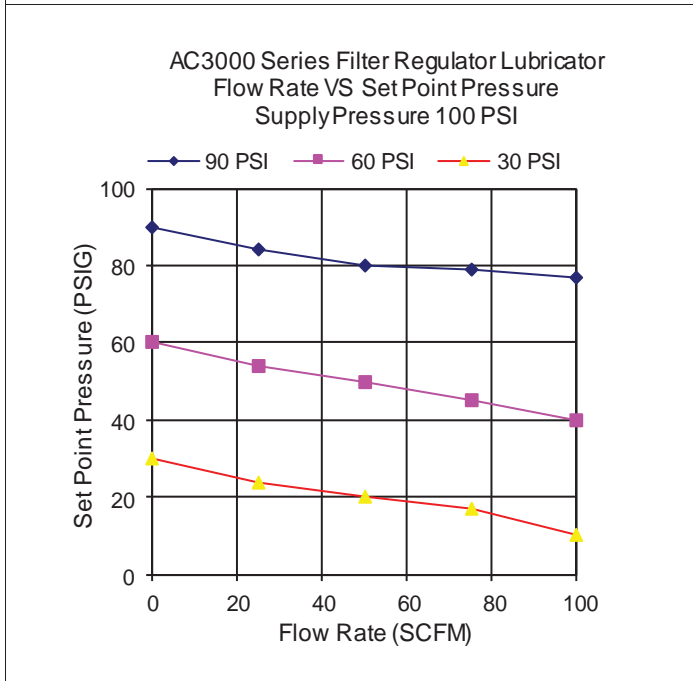
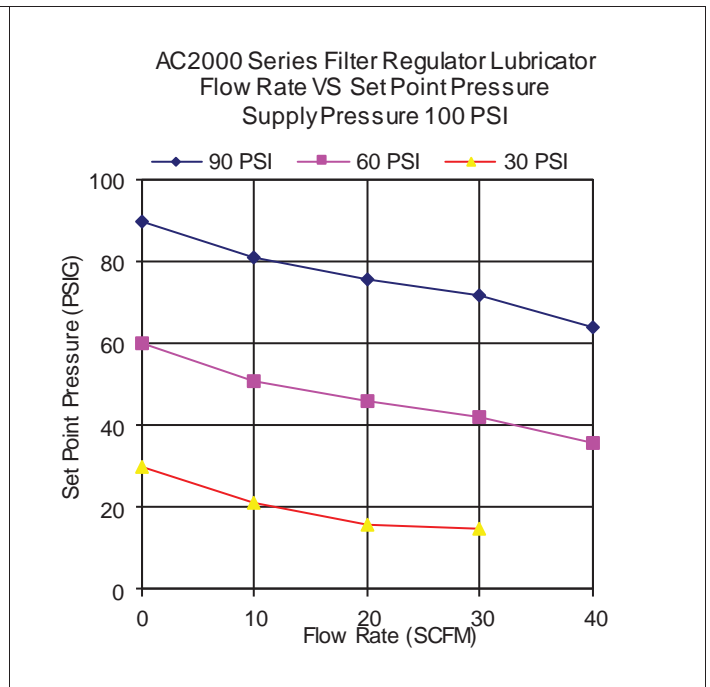
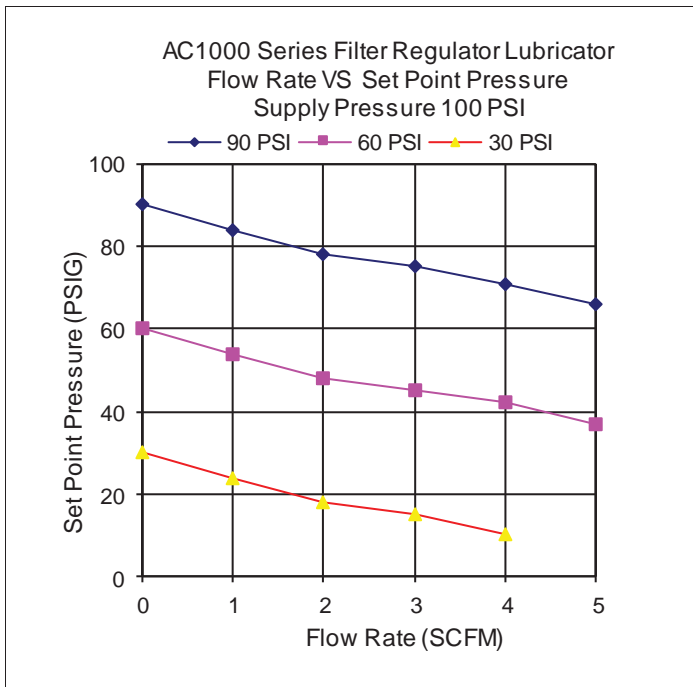
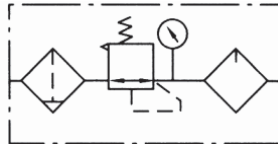
\*Measured with Supply Air Pressure @100PSI and Set Point Pressure @75PSI

| Model Series | Port Size      | Port Size (Pressure Gauge) | Regulating Range                             | Max. Operating Pressure            | Operating Temperature | Filtration   | Bowl Material                                       | Bowl Guard       | Body Material        | Construction/Regulator | Seals | Filter Drain   | Service      |
|--------------|----------------|----------------------------|--|------------------------------------|-----------------------|--|---|------------------|----------------------|------------------------|-------|--|--------------|
| 1000-00      | 10-32 (M5)     | 1/16 Rc (PT)               | 7 - 100 PSI                                  | 150 PSI (9.9 kgf/cm <sup>2</sup> ) | 40 - 140°F (5 - 60°C) | 5 Micron Filter (Option); 25 Micron (Standard Sintered Brass Filter) | Polycarbonate (standard) or Aluminum Metal (Option) | N/A              | Die-Casting Aluminum | Relieving Type         | NBR   | Semi-Auto Differential Drain                               | For Air Only |
| 1010-00      |                | N/A                        |  |                                    |                       |  |   |                  |                      |                        |       |  |              |
| 2000-XX      | 1/8 or 1/4 NPT | 1/8 NPT                    | 7 - 125 PSI (0.5 - 8.5 kgf/cm <sup>2</sup> ) | 150 PSI (9.9 kgf/cm <sup>2</sup> ) | 40 - 140°F (5 - 60°C) | 5 Micron Filter (Option); 25 Micron (Standard Sintered Brass Filter) | Polycarbonate (standard) or Aluminum Metal (Option) | Steel Bowl Guard | Die-Casting Aluminum | Relieving Type         | NBR   | Semi-Auto Differential Drain (Standard) or Automatic Drain | For Air Only |
| 2010-XX      |                | 1/8 NPT                    |  |                                    |                       |  |   |                  |                      |                        |       |  |              |
| 3000-XX      | 1/4 or 3/8 NPT | 1/8 NPT                    | 7 - 125 PSI (0.5 - 8.5 kgf/cm <sup>2</sup> ) | 150 PSI (9.9 kgf/cm <sup>2</sup> ) | 40 - 140°F (5 - 60°C) | 5 Micron Filter (Option); 25 Micron (Standard Sintered Brass Filter) | Polycarbonate (standard) or Aluminum Metal (Option) | Steel Bowl Guard | Die-Casting Aluminum | Relieving Type         | NBR   | Semi-Auto Differential Drain (Standard) or Automatic Drain | For Air Only |
| 3010-XX      |                | 1/8 NPT                    |  |                                    |                       |  |   |                  |                      |                        |       |  |              |
| 4000-XX      | 3/8 or 1/2 NPT | 1/4 NPT                    | 7 - 125 PSI (0.5 - 8.5 kgf/cm <sup>2</sup> ) | 150 PSI (9.9 kgf/cm <sup>2</sup> ) | 40 - 140°F (5 - 60°C) | 5 Micron Filter (Option); 25 Micron (Standard Sintered Brass Filter) | Polycarbonate (standard) or Aluminum Metal (Option) | Steel Bowl Guard | Die-Casting Aluminum | Relieving Type         | NBR   | Semi-Auto Differential Drain (Standard) or Automatic Drain | For Air Only |
| 4010-XX      |                | 1/4 NPT                    |  |                                    |                       |  |   |                  |                      |                        |       |  |              |
| 4000-06      | 3/4 NPT        | 1/4 NPT                    | 7 - 125 PSI (0.5 - 8.5 kgf/cm <sup>2</sup> ) | 150 PSI (9.9 kgf/cm <sup>2</sup> ) | 40 - 140°F (5 - 60°C) | 5 Micron Filter (Option); 25 Micron (Standard Sintered Brass Filter) | Polycarbonate (standard) or Aluminum Metal (Option) | Steel Bowl Guard | Die-Casting Aluminum | Relieving Type         | NBR   | Semi-Auto Differential Drain (Standard) or Automatic Drain | For Air Only |
| 4010-06      |                | 1/4 NPT                    |  |                                    |                       |  |   |                  |                      |                        |       |  |              |
| 5000-XX      | 3/4 or 1 NPT   | 1/4 NPT                    | 7 - 125 PSI (0.5 - 8.5 kgf/cm <sup>2</sup> ) | 150 PSI (9.9 kgf/cm <sup>2</sup> ) | 40 - 140°F (5 - 60°C) | 5 Micron Filter (Option); 25 Micron (Standard Sintered Brass Filter) | Polycarbonate (standard) or Aluminum Metal (Option) | Steel Bowl Guard | Die-Casting Aluminum | Relieving Type         | NBR   | Semi-Auto Differential Drain (Standard) or Automatic Drain | For Air Only |
| 5010-XX      |                | 1/4 NPT                    |  |                                    |                       |  |   |                  |                      |                        |       |  |              |

These FRL components are of modular design with joiner clamps. The joiner clamps allow easy connection and disconnection of FRL components for simple installation and maintenance.

## Filter Regulator Lubricator Selection:

1. Determine flow rate requirements.
2. Determine required set point pressure and allowable pressure drop.
3. Locate the FRL graph with set point pressure that provides the flow rate with acceptable pressure drop.



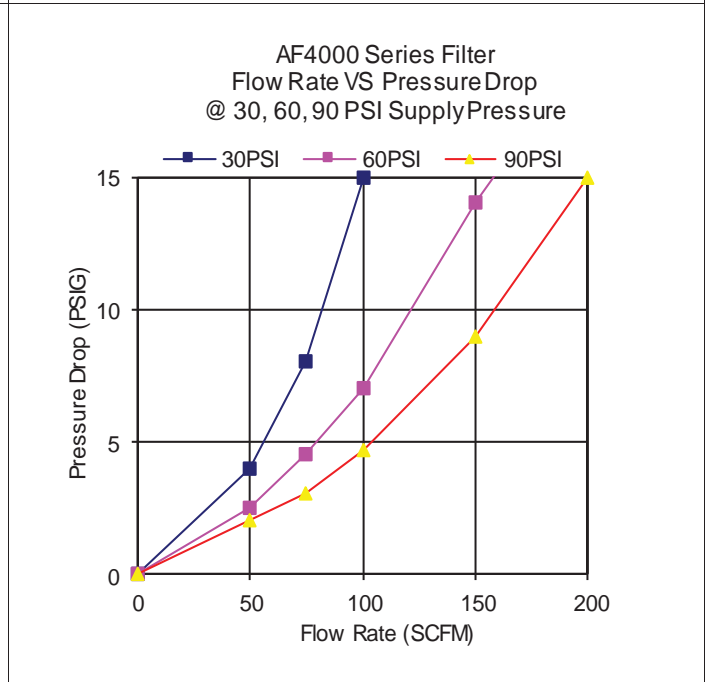
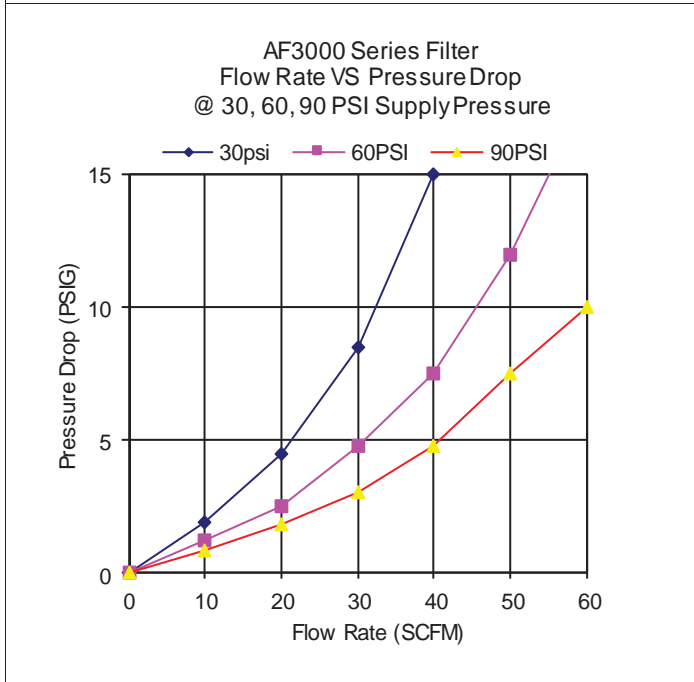
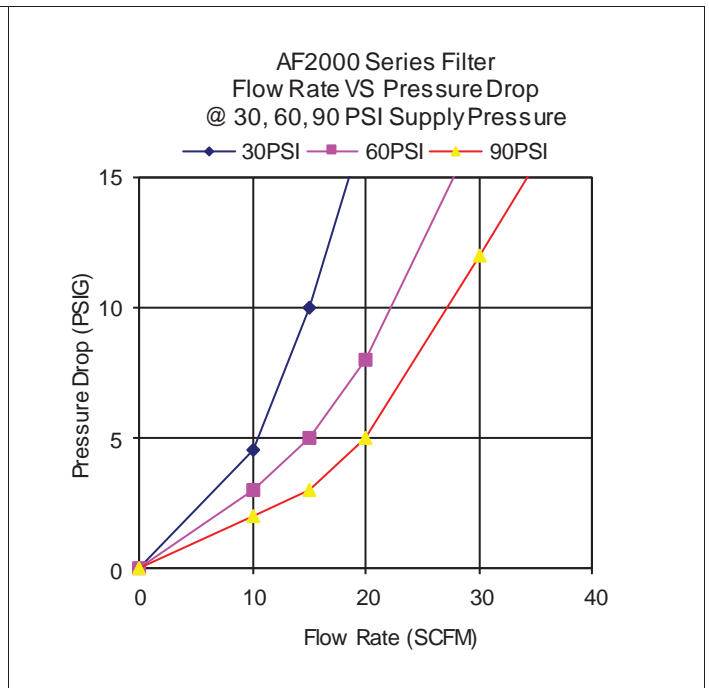
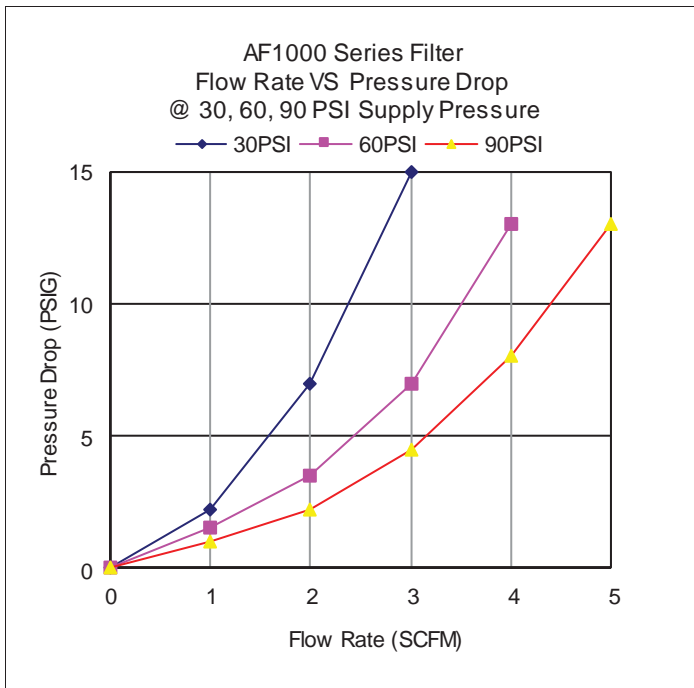
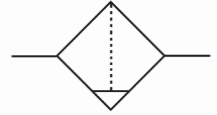


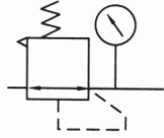
# Air Filter Flow Charts



## Filter Selection:

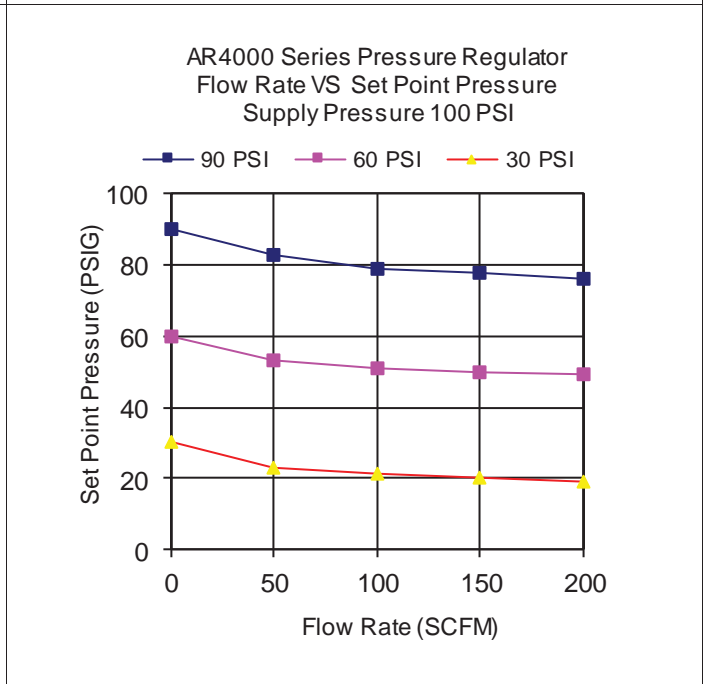
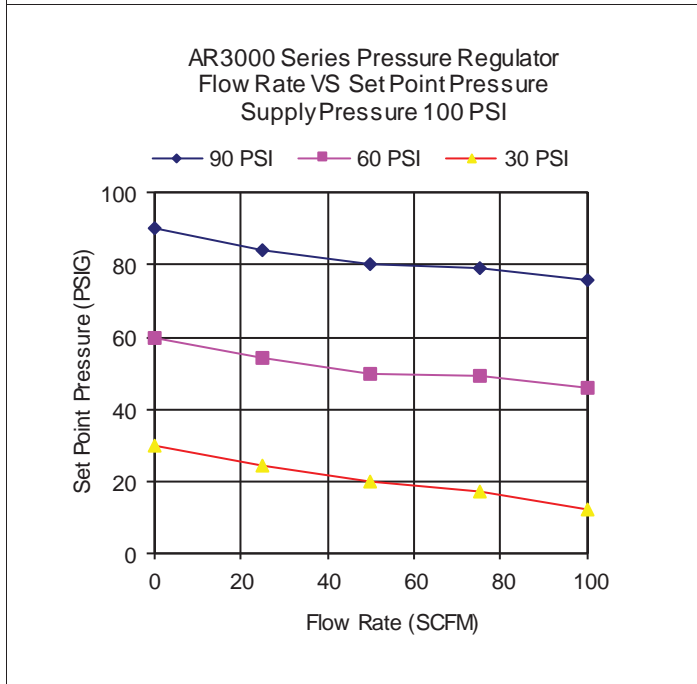
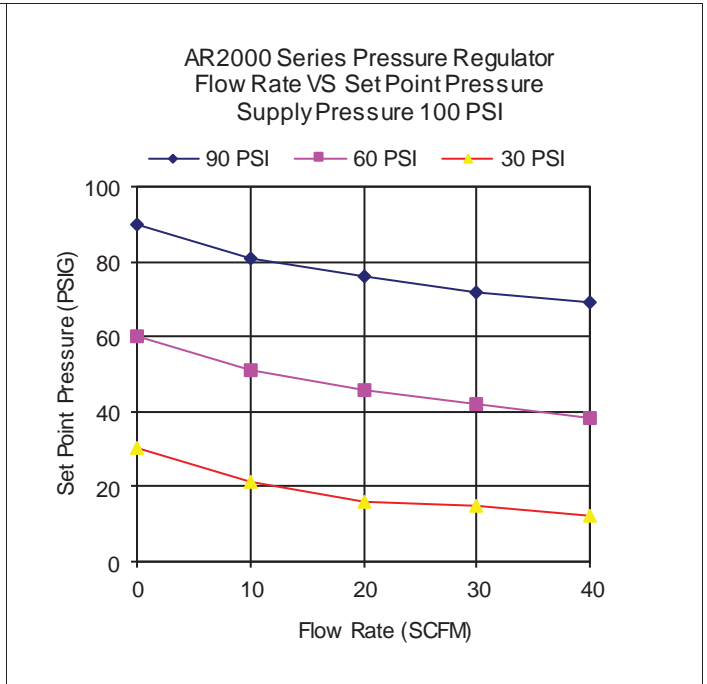
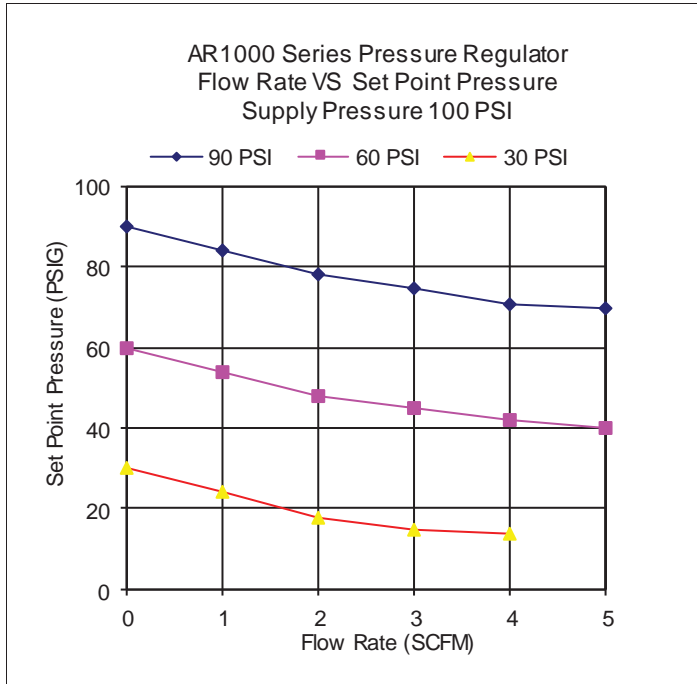
1. Determine flow rate requirements.
2. Determine required set point pressure and allowable pressure drop.
3. Locate the FRL graph with set point pressure that provides the flow rate with acceptable pressure drop.





### Regulator Selection:

1. Determine flow rate requirements.
2. Determine required set point pressure and allowable pressure drop.
3. Locate the FRL graph with set point pressure that provides the flow rate with acceptable pressure drop.

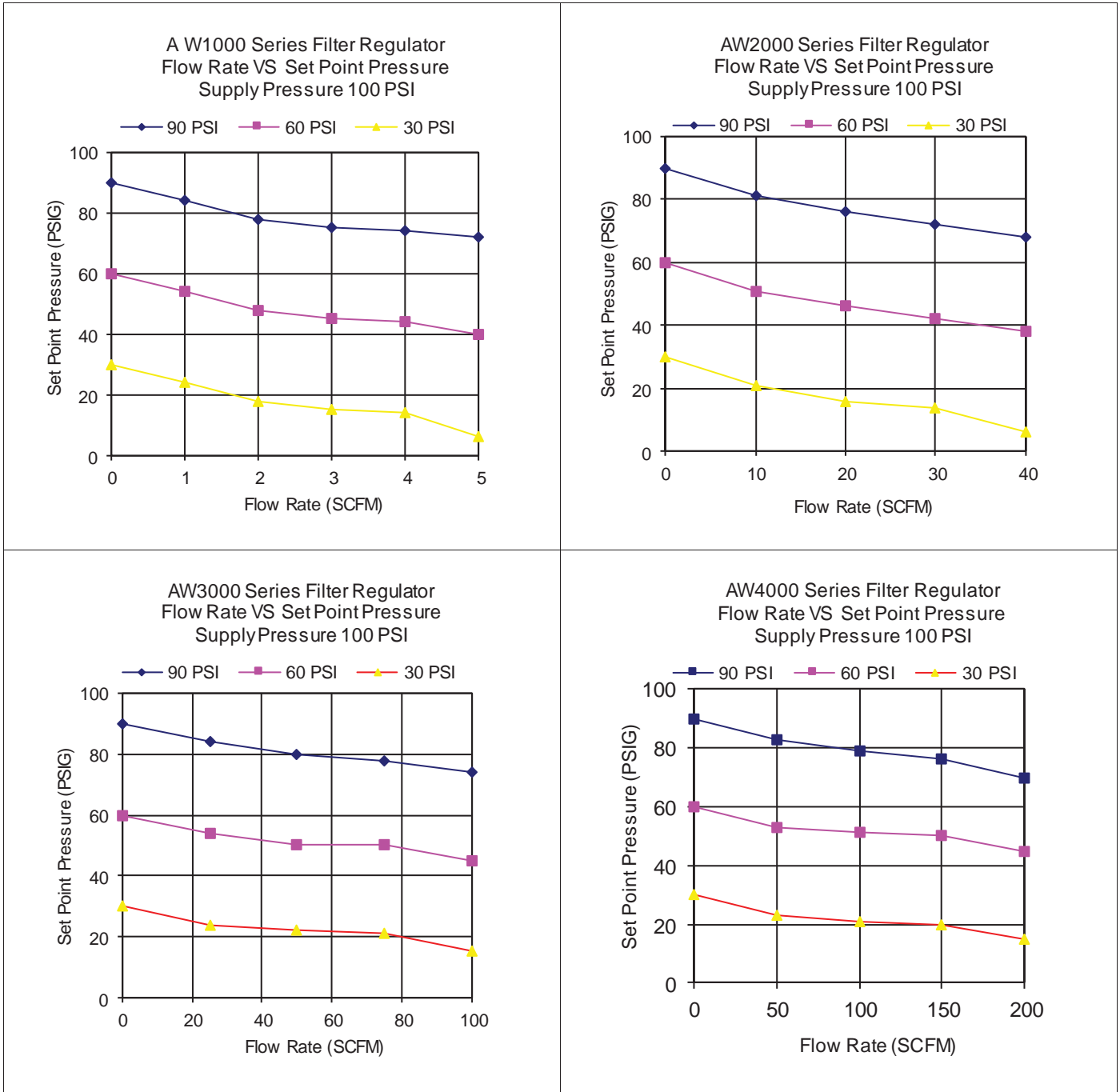
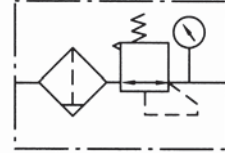


# Air Filter-Regulator Flow Charts



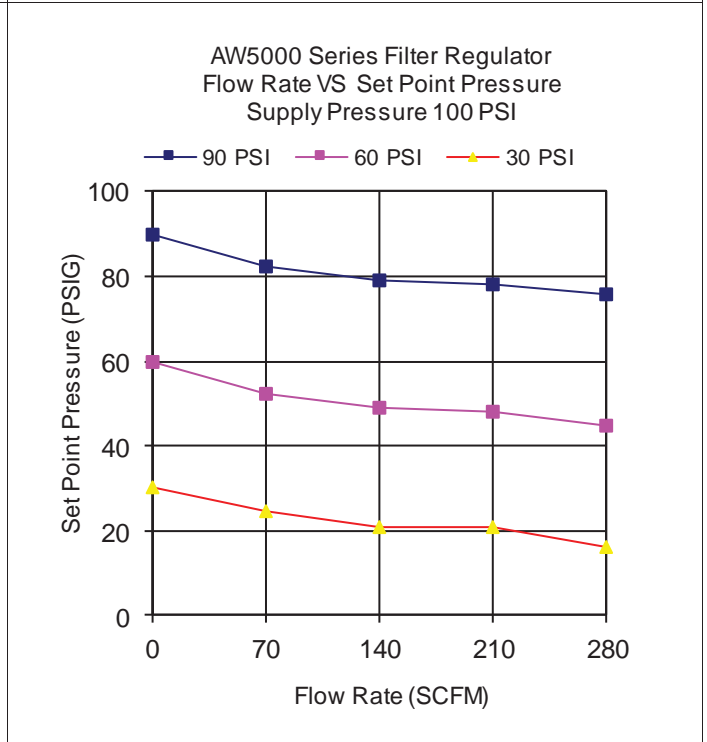
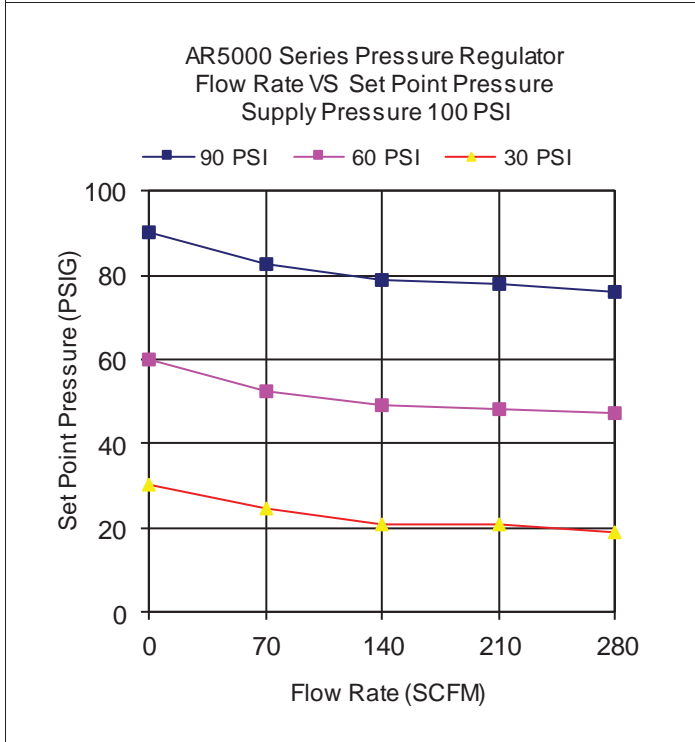
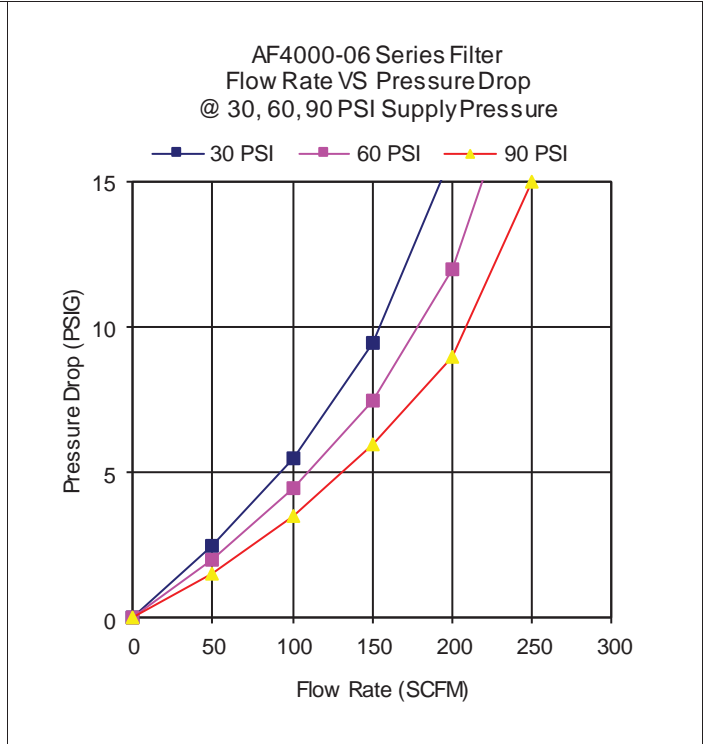
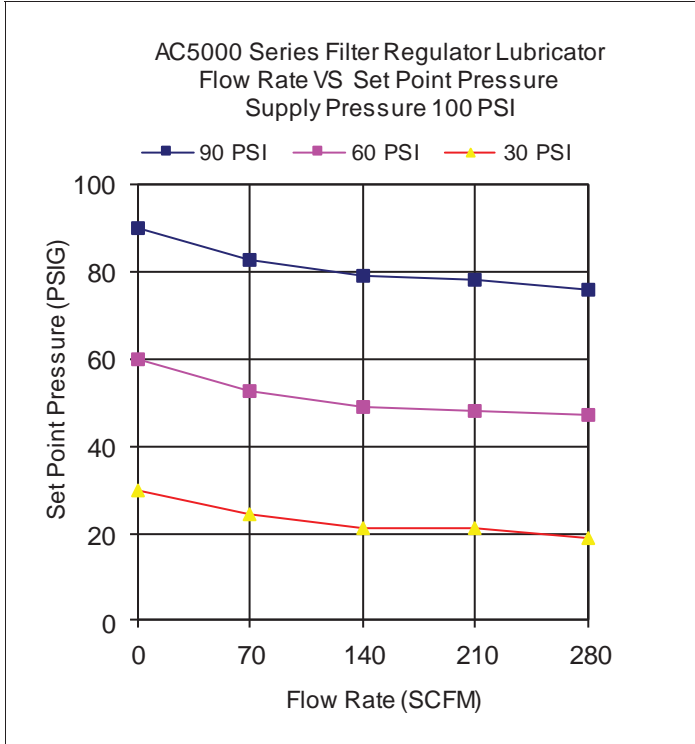
## Filter Regulator Selection:

1. Determine flow rate requirements.
2. Determine required set point pressure and allowable pressure drop.
3. Locate the FRL graph with set point pressure that provides the flow rate with acceptable pressure drop.

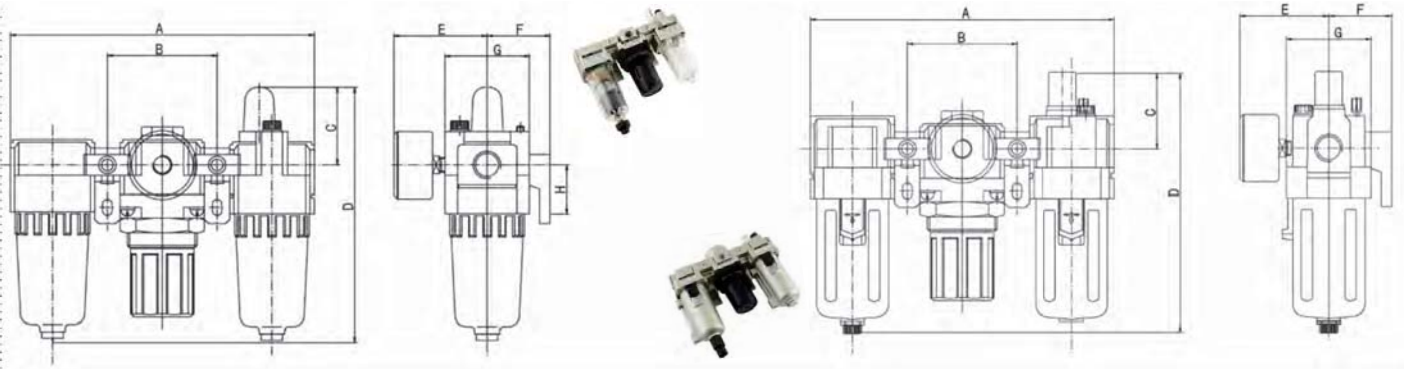


### Filter Regulator Lubricator Selection:

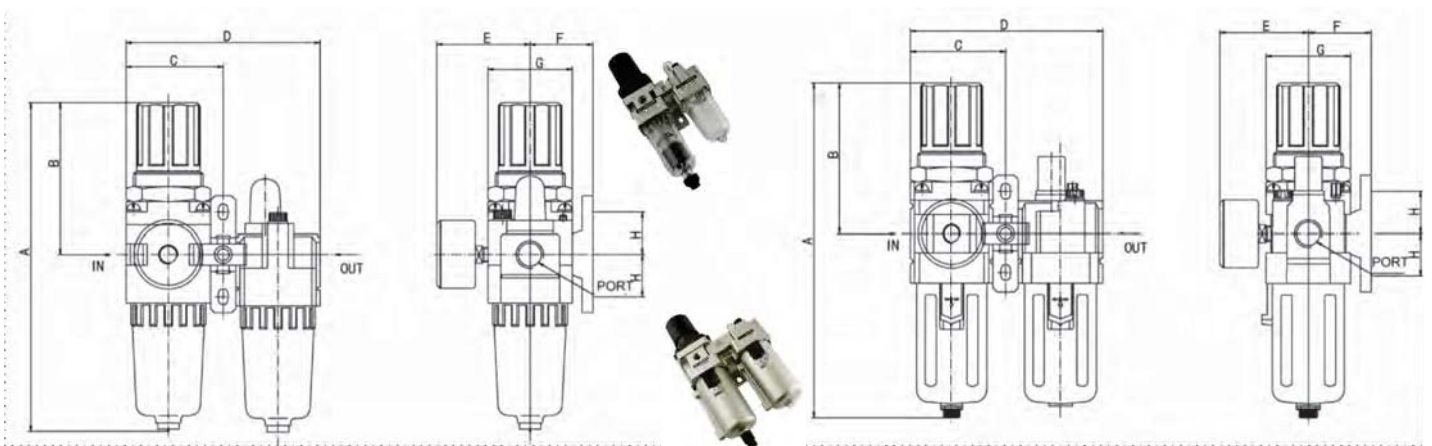
1. Determine flow rate requirements.
2. Determine required set point pressure and allowable pressure drop.
3. Locate the FRL graph with set point pressure that provides the flow rate with acceptable pressure drop.



# Air Filter-Regulator-Lubricator Dimensions

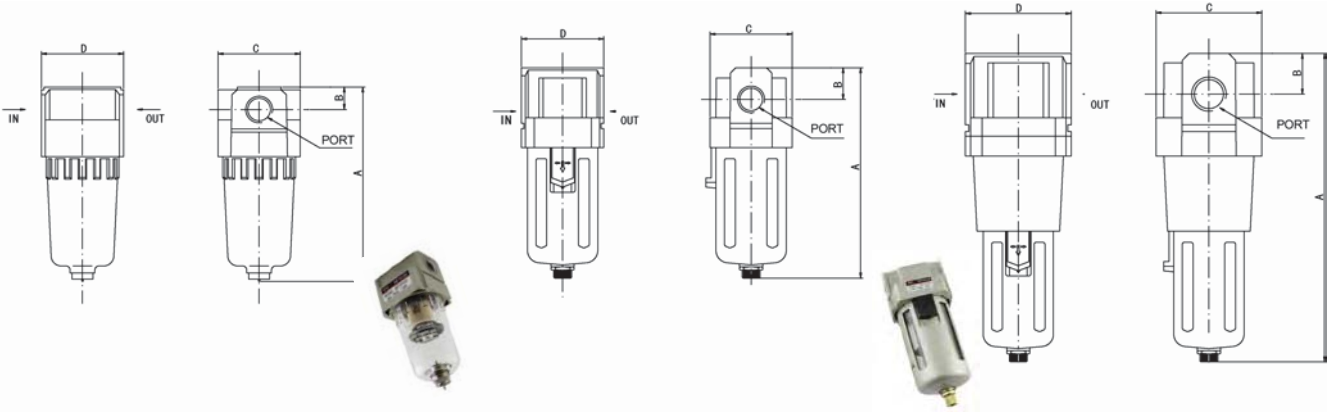


| Model     | Flow Rate (lpm/scfm) | Port       | Gauge Port | A (mm/in) | B (mm/in) | C (mm/in) | D (mm/in) | E (mm/in) | F (mm/in) | G (mm/in) | H (mm/in) | Bracket | Weight (kg/lb) | Gauge           |
|-----------|----------------------|------------|------------|-----------|-----------|-----------|-----------|-----------|-----------|-----------|-----------|---------|----------------|-----------------|
| AC1000-00 | 90                   | 10-32 (M5) | 1/16 Rc    | 91        | 33        | 25.5      | 84.5      | 26        | 25        | 25        | 20        | Y10L    | 0.26           | GE-1-160-00     |
|           | 3                    |            |            | 3.58      | 1.30      | 1.00      | 3.33      | 1.02      | 0.98      | 0.98      | 0.79      |         | 0.57           |                 |
| AC2000-01 | 500                  | 1/8 NPT    | 1/8 NPT    | 140       | 50        | 38        | 125       | 56.8      | 30        | 40        | 24        | Y20L    | 0.74           | GE-1 1/2-160-01 |
| AC2000-02 | 18                   | 1/4 NPT    |            | 5.51      | 1.97      | 1.50      | 4.92      | 2.24      | 1.18      | 1.57      | 0.94      |         | 1.63           |                 |
| AC3000-02 | 2000                 | 1/4 NPT    | 1/8 NPT    | 181       | 64        | 38        | 156.5     | 60.8      | 41        | 53        | 35        | Y30L    | 1.18           | GE-1 1/2-160-01 |
| AC3000-03 | 70                   | 3/8 NPT    |            | 7.13      | 2.52      | 1.50      | 6.16      | 2.39      | 1.69      | 2.09      | 1.38      |         | 2.60           |                 |
| AC4000-03 | 4000                 | 3/8 NPT    | 1/4 NPT    | 238       | 84        | 41        | 191.5     | 65.5      | 50        | 70        | 40        | Y40L    | 2.14           | GE-2-160-02     |
| AC4000-04 | 140                  | 1/2 NPT    |            | 9.37      | 3.31      | 1.61      | 7.54      | 2.58      | 1.97      | 2.76      | 1.57      |         | 4.71           |                 |
| AC4000-06 | 4500                 | 3/4 NPT    | 1/4 NPT    | 253       | 89        | 41        | 193       | 69.5      | 50        | 70        | 40        | Y50L    | 2.47           | GE-2-160-02     |
|           | 160                  |            |            | 9.96      | 3.50      | 1.61      | 7.60      | 2.74      | 1.97      | 2.76      | 1.57      |         | 5.43           |                 |
| AC5000-06 | 5000                 | 3/4 NPT    | 1/4 NPT    | 300       | 105       | 48        | 271.5     | 75.5      | 69.8      | 90        | 50        | Y60L    | 3.82           | GE-2-160-02     |
| AC5000-10 | 180                  | 1 NPT      |            | 11.81     | 4.13      | 1.89      | 10.69     | 2.97      | 2.75      | 3.54      | 1.97      |         | 8.40           |                 |

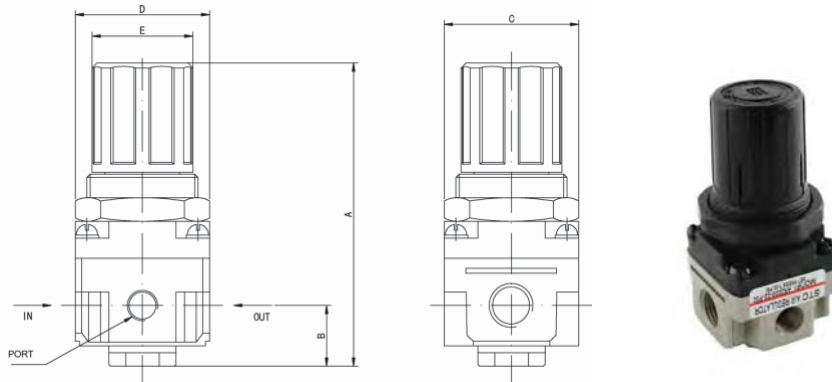


| Model     | Flow Rate (lpm/scfm) | Port       | Gauge Port | A (mm/in) | B (mm/in) | C (mm/in) | D (mm/in) | E (mm/in) | F (mm/in) | G (mm/in) | H (mm/in) | Bracket | Weight (kg/lb) | Gauge           |
|-----------|----------------------|------------|------------|-----------|-----------|-----------|-----------|-----------|-----------|-----------|-----------|---------|----------------|-----------------|
| AC1010-00 | 90                   | 10-32 (M5) | 1/16 Rc    | 109.5     | 50.5      | 29        | 58        | 26        | 25        | 25        | 20        | Y10T    | 0.22           | GE-1-160-00     |
|           | 3                    |            |            | 4.31      | 1.99      | 1.14      | 2.28      | 1.02      | 0.98      | 0.98      | 0.79      |         | 0.48           |                 |
| AC2010-01 | 500                  | 1/8 NPT    | 1/8 NPT    | 164.5     | 78        | 45        | 90        | 56.8      | 30        | 40        | 24        | Y20T    | 0.66           | GE-1 1/2-160-01 |
| AC2010-02 | 18                   | 1/4 NPT    |            | 6.48      | 3.07      | 1.77      | 3.54      | 2.24      | 1.18      | 1.57      | 0.94      |         | 1.45           |                 |
| AC3010-02 | 1700                 | 1/4 NPT    | 1/8 NPT    | 211       | 92.5      | 58.5      | 117       | 60.8      | 41        | 53        | 35        | Y30T    | 0.98           | GE-1 1/2-160-01 |
| AC3010-03 | 60                   | 3/8 NPT    |            | 8.31      | 3.64      | 2.30      | 4.61      | 2.39      | 1.61      | 2.09      | 1.38      |         | 2.16           |                 |
| AC4010-03 | 3000                 | 3/8 NPT    | 1/4 NPT    | 262       | 112       | 77        | 154       | 65.5      | 50        | 70        | 40        | Y40T    | 1.93           | GE-2-160-02     |
| AC4010-04 | 105                  | 1/2 NPT    |            | 10.31     | 4.41      | 3.03      | 6.06      | 2.58      | 1.97      | 2.76      | 1.57      |         | 4.25           |                 |
| AC4010-06 | 3000                 | 3/4 NPT    | 1/4 NPT    | 267       | 114       | 82        | 164       | 69.5      | 50        | 70        | 40        | Y50T    | 1.99           | GE-2-160-02     |
|           | 105                  |            |            | 10.51     | 4.49      | 3.23      | 6.46      | 2.74      | 1.97      | 2.76      | 1.57      |         | 4.38           |                 |
| AC5010-06 | 4000                 | 3/4 NPT    | 1/4 NPT    | 338       | 116       | 97.5      | 195       | 75.5      | 69.8      | 90        | 50        | Y60T    | 3.2            | GE-2-160-02     |
| AC5010-10 | 140                  | 1 NPT      |            | 13.31     | 4.57      | 3.84      | 7.68      | 2.97      | 2.75      | 3.54      | 1.97      |         | 7.04           |                 |

# Air Filter & Regulator Dimensions

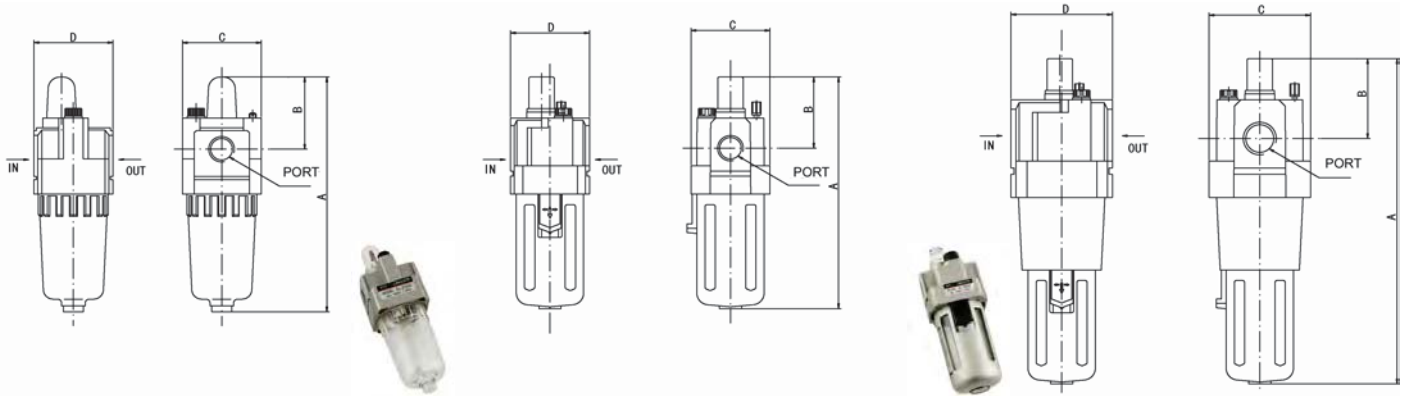


| Model     | Flow Rate (lpm/scfm) | Port       | A (mm/in) | B (mm/in) | C (mm/in) | D (mm/in) | Bracket/Screw | Weight (kg/lb) |
|-----------|----------------------|------------|-----------|-----------|-----------|-----------|---------------|----------------|
| AF1000-00 | 110                  | 10-32 (M5) | 66        | 7         | 25        |           | B140          | 0.07           |
|           | 4                    |            | 2.60      | 0.28      | 0.98      | 0.00      |               | 0.15           |
| AF2000-01 | 750                  | 1/8 NPT    | 97.5      | 11        | 40        | 40        | B240/M4x8     | 0.19           |
| AF2000-02 | 26                   | 1/4 NPT    | 3.84      | 0.43      | 1.57      | 1.57      |               | 0.42           |
| AF3000-02 | 2000                 | 1/4 NPT    | 132.5     | 14        | 53        | 53        | B340/M4x8     | 0.29           |
| AF3000-03 | 70                   | 3/8 NPT    | 5.22      | 0.55      | 2.09      | 2.09      |               | 0.64           |
| AF4000-03 | 4000                 | 3/8 NPT    | 168.5     | 18        | 70        | 70        | B440/M5x10    | 0.55           |
| AF4000-04 | 140                  | 1/2 NPT    | 6.63      | 0.71      | 2.76      | 2.76      |               | 1.21           |
| AF4000-06 | 6000                 | 3/4 NPT    | 172.5     | 20        | 70        | 70        | B540/M5x10    | 0.58           |
|           | 210                  |            | 6.79      | 0.79      | 2.76      | 2.76      |               | 1.28           |
| AF5000-06 | 7000                 | 3/4 NPT    | 247.5     | 24        | 90        | 90        | B640/M6x10    | 1.08           |
| AF5000-10 | 245                  | 1 NPT      | 9.74      | 0.94      | 3.54      | 3.54      |               | 2.38           |

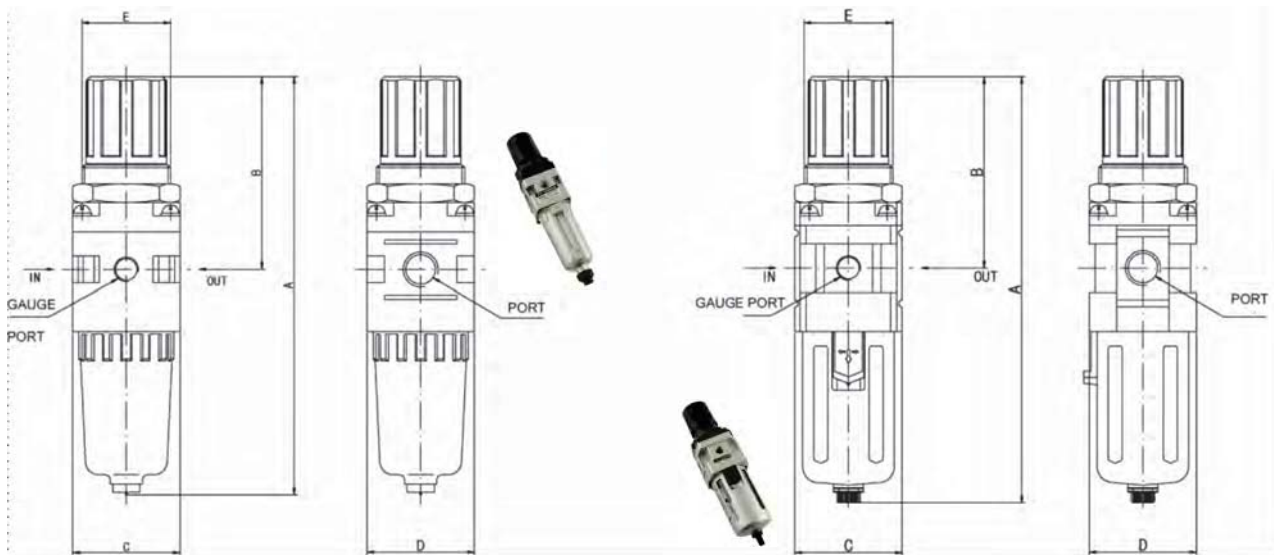


| Model     | Flow Rate (lpm/scfm) | Port       | Gauge Port | A (mm/in) | B (mm/in) | C (mm/in) | D (mm/in) | E (mm/in) | Panel Cut Hole (mm/in) | Bracket | Weight (kg/lb) | Gauge           |
|-----------|----------------------|------------|------------|-----------|-----------|-----------|-----------|-----------|------------------------|---------|----------------|-----------------|
| AR1000-00 | 100                  | 10-32 (M5) | 1/16 Rc    | 61.5      | 11        | 25        | 25        | 20        | 20.5                   | B120    | 0.08           | GE-1-160-00     |
|           | 4                    |            |            | 2.42      | 0.43      | 0.98      | 0.98      | 0.79      | 0.81                   |         | 0.18           |                 |
| AR2000-01 | 550                  | 1/8 NPT    | 1/8 NPT    | 95        | 17        | 40        | 40        | 34        | 33.5                   | B220    | 0.27           | GE-1 1/2-160-01 |
| AR2000-02 | 19                   | 1/4 NPT    |            | 3.74      | 0.67      | 1.57      | 1.57      | 1.34      | 1.32                   |         | 0.59           |                 |
| AR2500-02 | 2000                 | 1/4 NPT    |            | 102.5     | 25        | 48        | 53        | 34        | 33.5                   |         |                |                 |
| AR2500-03 | 70                   | 3/8 NPT    |            | 4.04      | 0.98      | 18.9      | 2.09      | 1.34      | 1.32                   |         |                |                 |
| AR3000-02 | 2500                 | 1/4 NPT    | 1/8 NPT    | 127.5     | 35        | 53        | 53        | 40        | 42.5                   | B320    | 0.41           | GE-1 1/2-160-01 |
| AR3000-03 | 88                   | 3/8 NPT    |            | 5.02      | 1.38      | 2.09      | 2.09      | 1.57      | 1.67                   |         | 0.90           |                 |
| AR4000-03 | 6000                 | 3/8 NPT    | 1/4 NPT    | 149.5     | 37.5      | 70        | 70        | 54        | 52.5                   | B420    | 0.84           | GE-2-160-02     |
| AR4000-04 | 210                  | 1/2 NPT    |            | 5.89      | 1.48      | 2.76      | 2.76      | 2.13      | 2.07                   |         | 1.85           |                 |
| AR4000-06 | 6000                 | 3/4 NPT    | 1/4 NPT    | 154       | 40.5      | 70        | 75        | 54        | 52.5                   | B420    | 0.84           | GE-2-160-02     |
|           | 210                  |            |            | 6.06      | 1.59      | 2.76      | 2.95      | 2.13      | 2.07                   |         | 1.85           |                 |
| AR5000-06 | 8000                 | 3/4 NPT    | 1/4 NPT    | 168       | 48        | 90        | 90        | 54        | 52.5                   | B420    | 1.19           | GE-2-160-02     |
| AR5000-10 | 280                  | 1 NPT      |            | 6.61      | 1.89      | 3.54      | 3.54      | 2.13      | 2.07                   |         | 2.62           |                 |

# Air Lubricator & Filter-Regulator Dimensions

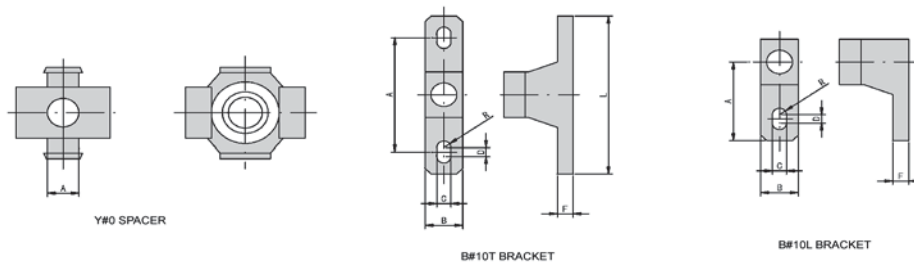


| Model     | Flow Rate (lpm/scfm) | Port       | A (mm/in) | B (mm/in) | C (mm/in) | D (mm/in) | Bracket/Screw | Weight (kg/lb) |
|-----------|----------------------|------------|-----------|-----------|-----------|-----------|---------------|----------------|
| AL1000-00 | 95                   | 10-32 (M5) | 81.5      | 25.5      | 25        |           | B140          | 0.07           |
|           | 3                    |            | 3.21      | 1.00      | 0.98      |           |               | 0.15           |
| AL2000-01 | 800                  | 1/8 NPT    | 122       | 38        | 40        | 40        | B240/M4x8     | 0.22           |
| AL2000-02 | 28                   | 1/4 NPT    | 4.80      | 1.50      | 1.57      | 1.57      |               | 0.48           |
| AL3000-02 | 1700                 | 1/4 NPT    | 142       | 38        | 53        | 53        | B340/M4x8     | 0.3            |
| AL3000-03 | 60                   | 3/8 NPT    | 5.59      | 1.50      | 2.09      | 2.09      |               | 0.66           |
| AL4000-03 | 5000                 | 3/8 NPT    | 177       | 41        | 70        | 70        | B440/M5x10    | 0.56           |
| AL4000-04 | 180                  | 1/2 NPT    | 6.97      | 1.61      | 2.76      | 2.76      |               | 1.23           |
| AL4000-06 | 6300                 | 3/4 NPT    | 177       | 39        | 70        | 70        | B540/M5x10    | 0.58           |
|           | 220                  |            | 6.97      | 1.54      | 2.76      | 2.76      |               | 1.28           |
| AL5000-06 | 7000                 | 3/4 NPT    | 254       | 45        | 90        | 90        | B640/M6x10    | 1.08           |
| AL5000-10 | 245                  | 1 NPT      | 10.00     | 1.77      | 3.54      | 3.54      |               | 2.38           |



| Model     | Flow Rate (lpm/scfm) | Port       | Gauge Port | A (mm/in) | B (mm/in) | C (mm/in) | D (mm/in) | E (mm/in) | Panel Cut Hole (mm/in) | Bracket | Weight (kg/lb) | Gauge           |
|-----------|----------------------|------------|------------|-----------|-----------|-----------|-----------|-----------|------------------------|---------|----------------|-----------------|
| AW1000-00 | 90                   | 10-32 (M5) | 1/16 Rc    | 109.5     | 50.5      | 25        | 28        | 20        | 20.5                   | B120    | 0.09           | GE-1-160-00     |
|           | 3                    |            |            | 4.31      | 1.99      | 0.98      | 1.10      | 1.10      | 0.81                   |         | 0.20           |                 |
| AW2000-01 | 550                  | 1/8 NPT    | 1/8 NPT    | 164.5     | 78        | 40        | 40        | 34        | 33.5                   | B220    | 0.36           | GE-1 1/2-160-01 |
| AW2000-02 | 19                   | 1/4 NPT    |            | 6.48      | 3.07      | 1.57      | 1.57      | 1.34      | 1.32                   |         | 0.79           |                 |
| AW3000-02 | 2000                 | 1/4 NPT    | 1/8 NPT    | 211       | 92.5      | 53        | 53        | 40        | 33.5                   | B320    | 0.56           | GE-1 1/2-160-01 |
| AW3000-03 | 70                   | 3/8 NPT    |            | 8.31      | 3.64      | 2.09      | 2.09      | 1.57      | 1.32                   |         | 1.23           |                 |
| AW4000-03 | 4000                 | 3/8 NPT    | 1/4 NPT    | 262       | 112       | 70        | 70        | 54        | 42.5                   | B420    | 1.15           | GE-2-160-02     |
| AW4000-04 | 140                  | 1/2 NPT    |            | 10.31     | 4.41      | 2.76      | 2.76      | 2.13      | 1.67                   |         | 2.53           |                 |
| AW4000-06 | 4500                 | 3/4 NPT    | 1/4 NPT    | 267       | 114       | 70        | 75        | 54        | 42.5                   | B520    | 1.21           | GE-2-160-02     |
|           | 160                  |            |            | 10.51     | 4.49      | 2.76      | 2.95      | 2.13      | 1.67                   |         | 2.66           |                 |
| AW5000-06 | 5500                 | 3/4 NPT    | 1/4 NPT    | 338       | 116       | 90        | 90        | 54        | 42.5                   | B620    | 1.7            | GE-2-160-02     |
| AW5000-10 | 195                  | 1 NPT      |            | 13.31     | 4.57      | 3.54      | 3.54      | 2.13      | 1.67                   |         | 3.74           |                 |

# FRL Mounting Hardware Dimensions

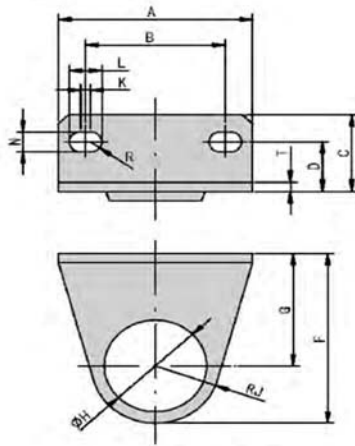


Spacer

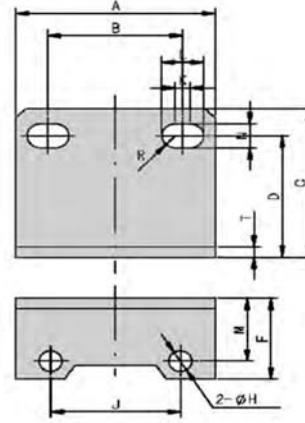
T Bracket

L Bracket

| L Bracket | L Spacer Bracket | For       | T Bracket | T Spacer Bracket | For       | A  | B  | C   | D | E    | F    | G  | H   | R    | L  |
|-----------|------------------|-----------|-----------|------------------|-----------|----|----|-----|---|------|------|----|-----|------|----|
| B110L     | Y10L             | AC1000    | B110T     | Y10T             | AC1010    | 20 | 12 | 4.5 | 3 | 2.5  | 5    | 8  | 40  | 2.25 | 27 |
| B210L     | Y20L             | AC2000    | B210T     | Y20T             | AC2010    | 24 | 15 | 5.5 | 3 | 30   | 5    | 10 | 48  | 2.75 | 33 |
| B310L     | Y30L             | AC3000    | B310T     | Y30T             | AC3010    | 35 | 16 | 7   | 4 | 41   | 7    | 11 | 70  | 3.5  | 45 |
| B410L     | Y40L             | AC4000    | B410T     | Y40T             | AC4010    | 40 | 22 | 9   | 4 | 50   | 7    | 14 | 80  | 4.5  | 50 |
| B510L     | Y50L             | AC4000-06 | B510T     | Y50T             | AC4010-06 | 40 | 22 | 9   | 4 | 50   | 7    | 14 | 80  | 4.5  | 50 |
| B610L     | Y60L             | AC5000    | B610T     | Y60T             | AC5010    | 50 | 23 | 12  | 4 | 69.8 | 10.5 | 15 | 100 | 6    | 63 |

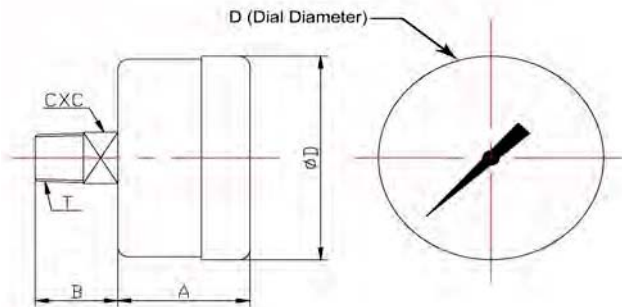


B#20 -Bracket for AR & AW



B#40 Bracket for AF/AL

| Bracket | A  | B  | C    | D  | F    | G    | H    | J    | K   | L    | M  | N   | R    | t   | Mounting Screw | For            |
|---------|----|----|------|----|------|------|------|------|-----|------|----|-----|------|-----|----------------|----------------|
| B120    | 40 | 28 | 17   | 11 | 37.8 | 25   | 20.5 | 12.3 | 2   | 6.5  |    | 4.5 | 2.25 | 2   |                | AR/AW1000      |
| B220    | 55 | 34 | 35   | 19 | 50   | 30   | 33.5 | 20   | 10  | 5.4  |    | 5.4 | 2.7  | 2.3 |                | AR/AW2000-2500 |
| B320    | 53 | 40 | 21.5 | 14 | 64   | 39   | 42.5 | 25   | 1.5 | 6.5  |    | 6.5 | 3.25 | 2.3 |                | AR/AW3000      |
| B420    | 70 | 54 | 27   | 18 | 79.2 | 49.2 | 52.5 | 30   | 2   | 8.5  |    | 8.5 | 4.25 | 2.3 |                | AR/AW4000-5000 |
| B240    | 40 | 27 | 33   | 27 | 18   |      | 4.5  | 26   | 3   | 8.4  | 14 | 5.4 | 2.7  | 2.3 | M4X8           | AF/AL2000      |
| B340    | 53 | 40 | 39   | 32 | 22.5 |      | 4.5  | 35   | 1.5 | 8    | 19 | 6.5 | 3.25 | 2.3 | M4X8           | AF/AL3000      |
| B440    | 70 | 54 | 47   | 38 | 31.5 |      | 5.5  | 47   | 2   | 10.5 | 20 | 8.5 | 4.25 | 2.3 | M5X10          | AF/AL4000-04   |
| B540    | 70 | 54 | 47   | 38 | 31.5 |      | 5.5  | 47   | 2   | 10.5 | 20 | 8.5 | 4.25 | 2.3 | M5X10          | AF/AL4000-06   |
| B640    | 90 | 66 | 64   | 52 | 43   |      | 6.5  | 60   | 2   | 13   | 29 | 11  | 5.5  | 3.2 | M6X10          | AF/AL5000      |



| Pressure Gauge Part No. | For         | (in/mm)     |           |           |         |          |
|-------------------------|-------------|-------------|-----------|-----------|---------|----------|
|                         |             | T Port Size | A         | B         | C       | D        |
| GE-1-160-00             | AR1000      | R1/16 (PT)  | 0.6/15.3  | 0.4/10    | 0.47/12 | 1.0/25.4 |
| GE-1 1/2-160-01         | AR2000-3000 | 1/8 NPT     | 0.93/23.8 | 0.67/17.0 | 0.43/11 | 1.6/42   |
| GE-2-160-02             | AR4000-5000 | 1/4 NPT     | 0.97/24.8 | 0.77/19.7 | 0.54/14 | 2.1/52.4 |