

# Series 500F - 8 Gate Valve

Sizes 1/4" ~ 2"  
Trim 8

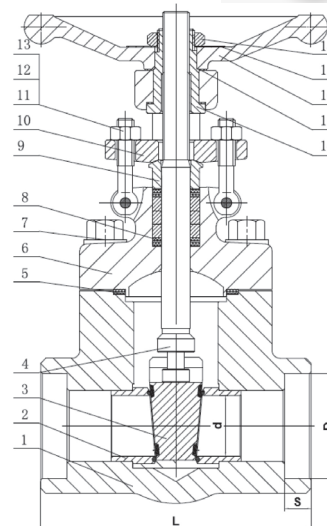


## SERIES 500F DESIGN FEATURES

- ✓ Trim 8 Forged Carbon Steel
- ✓ Class 800
- ✓ Maximum Pressure 1975 psi
- ✓ Maximum Temperature 850°F
- ✓ Bolted bonnet
- ✓ API 602 compliant
- ✓ Standard NACE MRO175

## MATERIALS OF CONSTRUCTION

No.	Part	Material
1	Body	A105
2	Seat	STL
3	Wedge	13Cr
4	Stem	410
5	Gasket	SS304 Flexible Graphite
6	Bonnet	A1015
7	Bolt	B7
8	Packing	Graphite
9	Bolt	410
10	Pkg press plate	A105
11	Pin	SS
12	Gland Eyebolt	B7
13	Hex Nut	2H
14	Stem Nut	1035
15	Washer	410
16	Handwheel	A197
17	Name Plate	AL
18	Adjusting Nut	CS



### DIMENSIONS

Size-NPT	L	D	d	S
1/4"	3.11	0.56	0.28	0.38
3/8"	3.11	0.69	0.41	0.38
1/2"	3.11	0.86	0.41	0.38
3/4"	3.62	1.07	0.53	0.50
1"	4.37	1.33	0.71	0.50
1-1/4"	4.73	1.68	0.91	0.50
1-1/2"	4.73	1.92	1.14	0.50
2"	5.52	2.41	1.42	0.63

### How to order 500F Series Gate Valves

Series	Material	Ends	Sizes	Trim
500F	C -Carbon Steel	T-Threaded	01 -1/4"*	8
		W-Socket Weld	02 -3/8"*	8
			03 -1/2"	8
			04 -3/4"	8
			05 -1"	8
			06 -1-1/4"	8
			07 -1-1/2"	8

\*Size 1/4" and 3/8" are Carbon Steel only

Sample Part #: 500FCT05-8

*What do you need today?™*

