

# Series 505F Globe Valve

Sizes 1/4" ~ 2"



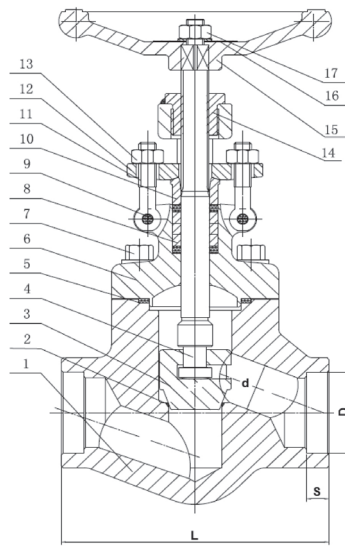
## SERIES 505F DESIGN FEATURES

- ✓ Forged Carbon or Stainless Steel
- ✓ Class 800
- ✓ Maximum Pressure 1975 psi
- ✓ Maximum Temperature 850°F
- ✓ Bolted bonnet
- ✓ API 602 compliant
- ✓ Standard NACE MRO175



## MATERIALS OF CONSTRUCTION

No.	Part	Material Carbon	Material Stainless
1	Body	A105	F316L
2	Seat	INT	INT
3	Disc	410	F316L
4	Stem	410	F316L
5	Gasket	SS304 Flexible Graphite	SS16 Flexible Graphite
6	Bonnet	A105	F316L
7	Bolt	B7	B8M
8	Packing	Graphite	Graphite
9	Pin	SS	304
10	Pkg Press Sleeve	410	F316L
11	Live Bolt	B7	B8M
12	Pkg Press Plate	A105	F316L
13	Hex Nut	2H	8M
14	Stem Nut	1035	1035
15	Handwheel	A197	A197
16	Name Plate	SS	SS
17	Lock Nut	CS	CS



DIMENSIONS				
Size-NPT	L	D	d	S
1/4"	3.11	0.56	0.28	0.38
3/8"	3.11	0.69	0.41	0.38
1/2"	3.11	0.86	0.41	0.38
3/4"	3.62	1.07	0.53	0.50
1"	4.37	1.33	0.71	0.50
1-1/4"	4.73	1.68	0.91	0.50
1-1/2"	4.73	1.92	1.14	0.50
2"	5.52	2.41	1.42	0.63

### How to order 505F Series Globe Valves

Series	Material	Ends	Sizes
505F	C -Carbon Steel	T-Threaded	01 -1/4"*
	SS -Stainless Steel	W-Socket Weld	02 -3/8"*
			03 -1/2"
			04 -3/4"
			05 -1"
			06 -1-1/4"
			07 -1-1/2"
			08 -2"

\*Size 1/4" and 3/8" are Carbon Steel only

Sample Part #: 505SST05

**What do you need today?™**

