

Series 522F Check Valve

Sizes 1/4" ~ 2"



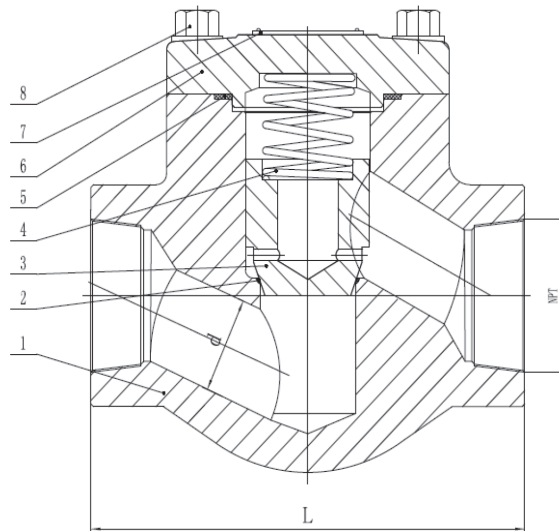
SERIES 522F DESIGN FEATURES

- ✓ Forged Carbon or Stainless Steel
- ✓ Class 800
- ✓ Maximum Pressure 1975 psi
- ✓ Maximum Temperature 850°F
- ✓ Bolted bonnet
- ✓ API 602 compliant
- ✓ Standard NACE MRO175



MATERIALS OF CONSTRUCTION

No.	Part	Material Carbon	Material Stainless
1	Body	A105	F316L
2	Seat	INT	INT
3	Disc	13Cr	F316L
4	Gasket	SS304 Flexible Graphite	F316L
5	Cover	A105	SS16 Flexible Graphite
6	Name Plate	AL	AL
7	Spring	SS304	SS316
8	Bolt	B7	BB8M



DIMENSIONS

Size-NPT	L	d
1/4"	3.11	0.24
3/8"	3.11	0.32
1/2"	3.11	0.39
3/4"	3.62	0.51
1"	4.37	0.69
1-1/4"	4.73	0.91
1-1/2"	4.73	1.10
2"	5.52	1.38

How to order 522F Series Check Valves

Series	Material	Ends	Sizes
522F	C -Carbon Steel	T-Threaded	01 -1/4"*
	SS -Stainless Steel	W -Socket Weld	02 -3/8"*
			03 -1/2"
			04 -3/4"
			05 -1"
			06 -1-1/4"
			07 -1-1/2"
			08 -2"

*Size 1/4" and 3/8" are Carbon Steel only
Sample Part #: 522SST05

What do you need today?™

