

# Series CVC

Ductile Iron Check Valve  
Sizes 2" ~ 16"



## StreamLine

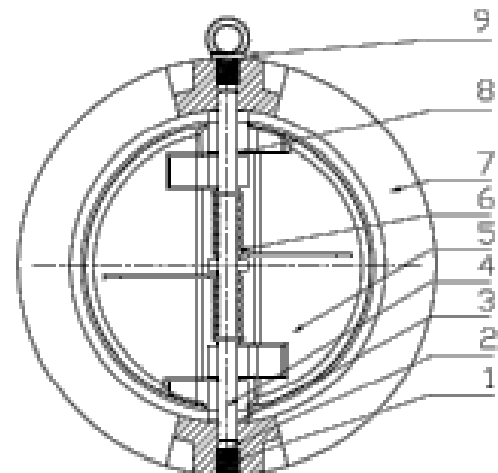
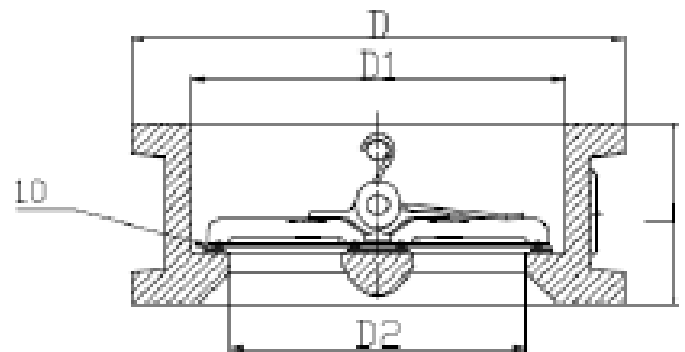
### SERIES CVC DESIGN FEATURES

- ✓ Check valve-wafer style body
- ✓ 300 WOG
- ✓ Spring loaded double disc 6", 8", 10" and 12" approved as chemigation valve
- ✓ Suitable for vertical & horizontal installation
- ✓ Fits flanges that conform to ANSI B16.1
- ✓ Fusion bonded epoxy coating ANSI/AWWA C550



### MATERIALS OF CONSTRUCTION

ITEM	DESCRIPTION	MATERIALS SPECIFICATIONS
1	Countersunk Hex Head Screw	Carbon Steel (ASTM A325)
2	Seal Ring	EPDM
3	Gasket	PTFE
4	Shaft	304 Stainless Steel
5	Disc	Aluminum Bronze C954
6	Spring	304 Stainless Steel
7	Body	Ductile Iron ASTM 6-45-12
8	Gasket	PTFE
9	Rings	Carbon Steel ASTM A325
10	Seat	EPDM



*What do you need today?*™



# Series CVC

Ductile Iron Check Valve  
 Sizes 2" ~ 16"



## CVC DIMENSIONS

Size	Part #	L	D	D1	D2
2"	<b>CVC-2</b>	2.13	4.02	2.52	1.81
2-1/2"	<b>CVC-2.5</b>	2.13	4.77	3.07	2.36
3"	<b>CVC-3</b>	2.25	5.28	3.70	2.76
4"	<b>CVC-4</b>	2.52	6.38	4.61	3.31
5"	<b>CVC-5</b>	2.76	7.56	5.71	4.53
6"	<b>CVC-6</b>	2.99	8.59	6.70	5.28
8"	<b>CVC-8</b>	3.74	10.76	8.83	7.25
10"	<b>CVC-10</b>	4.26	12.92	10.44	8.67
12"	<b>CVC-12</b>	5.63	16.08	12.21	10.24
14"	<b>CVC-14</b>	7.25	17.69	14.18	11.90
16"	<b>CVC-16</b>	7.53	20.17	16.15	13.79

