

# Series 400CSF-8 Gate Valve

Sizes 2" ~ 12"  
Trim 8

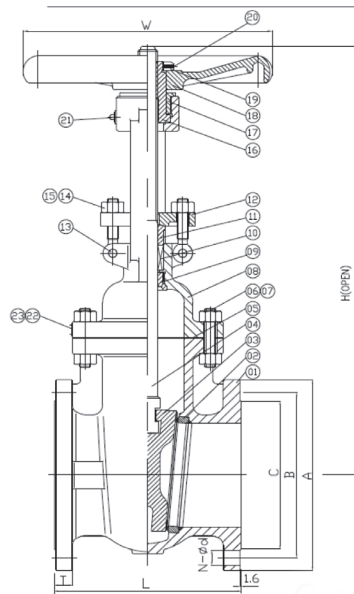
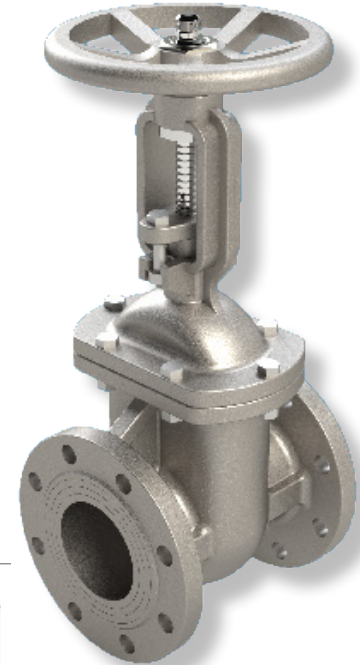


## SERIES 400CSF DESIGN FEATURES

- ✓ Cast Steel ASTM A216-WCB
- ✓ Class 150# flanged ends
- ✓ Maximum Pressure - 285 psi
- ✓ Maximum Temperature - 1000F
- ✓ Outside screw and yoke
- ✓ API 600 compliant
- ✓ Standard NACE MRO175
- ✓ Trim 8

## MATERIALS OF CONSTRUCTION

No.	Part	Material
1	Body	ASTM A216-WCB
2	Seat	ASTM A105+STL
3	Wedge	ASTM A216-WCB+13Cr
4	Stem	ASTM A182-F6a
5	Gasket	304+Flexible Graphite
6	Bonnet Bolt	ASTM A193-B7
7	Nut	ASTM A194-2H
8	Bonnet	ASTM A216-WCB
9	Back Seat	ASTM A276-410
10	Packing	Flexible Graphite
11	Gland	ASTM A276-410
12	Gland Flange	ASTM A216-WCB
13	Pin	CS
14	Eyebolt	ASTM A193-B7
15	Nut	ASTM A194-2H
16	Stem Nut	ASTM A536-FCD45
17	Clamp Nut	ASTM A29-1025
18	Handwheel	ASTM A47-32510
19	Lock Nut	ASTM A29-1035
20	Screw	ASTM A29-1035
21	Lubricating Cap	Copper Alloy
22	Rivet	SS
23	Name Plate	SS



PART NUMBER & DIMENSIONS										
Part Number	Size	A	B	C	T	F	L	H	W	n-Ød
400CSF08-8	2"	5.99	4.75	3.62	0.63	0.06	7.01	15.88	7.88	4-3/4
400CSF09-8	2-1/2"	7.01	5.50	4.14	0.69	0.06	7.49	17.10	7.88	4-3/4
400CSF10-8	3"	7.49	6.01	5.00	0.75	0.06	8.00	19.11	9.85	4-3/4
400CSF11-8	4"	9.02	7.51	6.19	0.95	0.06	9.02	23.13	9.85	8-3/4
400CSF13-8	6"	10.99	9.52	8.51	1.02	0.06	10.52	30.22	11.03	8-3/4
400CSF14-8	8"	13.51	11.76	10.64	1.14	0.06	11.50	37.63	13.79	8-7/8
400CSF15-8	10"	16.00	14.26	12.77	1.22	0.06	13.00	43.31	15.76	12-1
400CSF16-8	12"	19.03	17.02	15.01	1.26	0.06	14.03	54.69	17.73	12-1

What do you need today?™

