

40SSTH S.S. Threaded Gate Valve • Spec Sheet

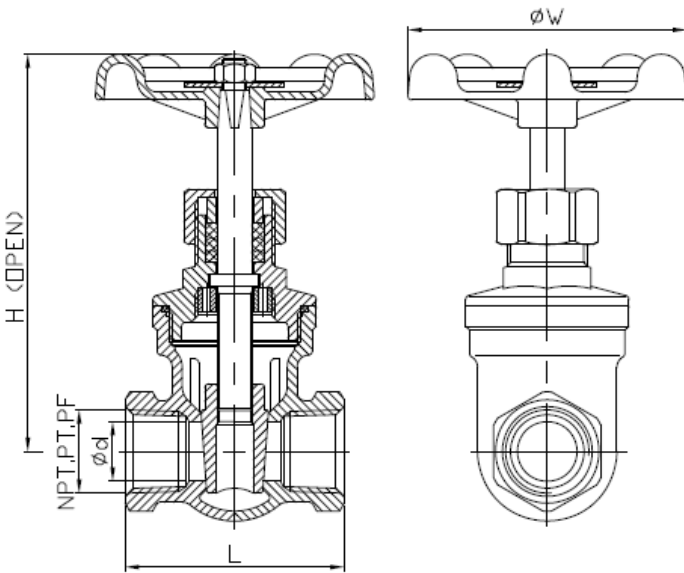


FEATURES & BENEFITS

- W.P. 200WOG
- W.T. -4°F - 392°F
- 316 Stainless Steel Body
- Investment Casting
- Non-rising Stem
- Thread Type: NPT
- Sizes 1/2" - 2"

MATERIAL SPECIFICATIONS

No.	Part	Material
1	Body	Stainless Steel 316
2	Disc	Stainless Steel 316
3	Bonnet	Stainless Steel 316
4	Gasket	PTFE
5	Whorl Gasket	Stainless Steel 304
6	Packing	PTFE
7	Gland	Stainless Steel 304
8	Cap Nut	Stainless Steel 316
9	Stem	Stainless Steel 316
10	Handle	Aluminum
11	Name Plate	Aluminum
12	Nut	Stainless Steel 304



DIMENSIONS

Part #	Size	d	L	H	W	Weight (lb)
40SSTH03	1/2"	0.59	2.17	3.98	2.76	0.93
40SSTH04	3/4"	0.79	2.36	4.26	2.76	1.17
40SSTH05	1"	0.99	2.56	4.53	3.15	1.54
40SSTH06	1-1/4"	1.26	2.96	5.20	3.15	2.23
40SSTH07	1-1/2"	1.50	3.35	5.87	3.55	3.40
40SSTH08	2"	1.97	3.74	6.90	3.94	4.54

