

60SSTH S.S. Threaded Check Valve • Spec Sheet

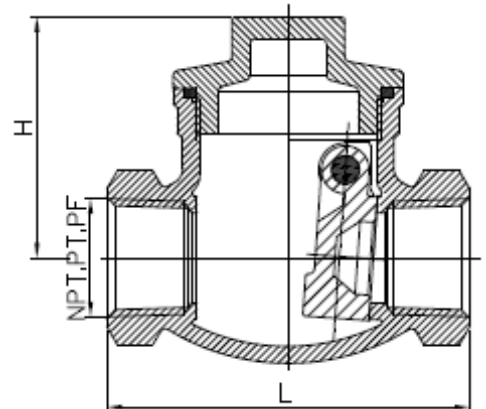
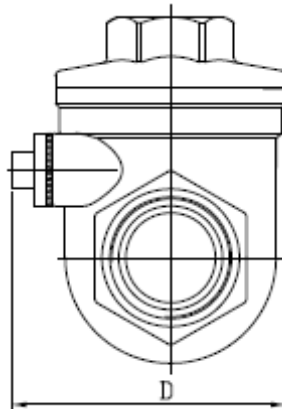
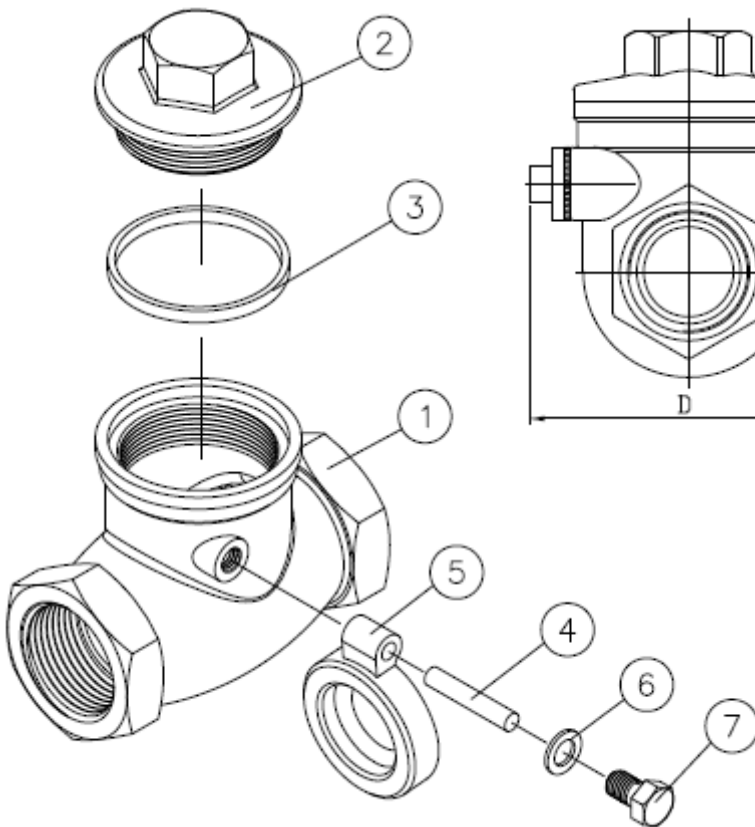


FEATURES & BENEFITS

- W.P. 200WOG
- W.T. -4°F - 392°F
- 316 Stainless Steel Body
- Investment Casting
- Swing Type Disc
- Thread Type: NPT
- Sizes 1/2" - 2"

MATERIAL SPECIFICATIONS

No.	Part	Material
1	Body	Stainless Steel 316
2	Cap	Stainless Steel 316
3	Gasket	PTFE
4	Plug	Stainless Steel 316
5	Disc	Stainless Steel 316
6	Gasket	PTFE
7	Stopper	Stainless Steel 304



DIMENSIONS

Part #	Size	d	L	H	D	Weight (lb)
60SSTH03	1/2"	0.63	2.56	1.69	1.83	0.53
60SSTH04	3/4"	0.79	3.15	2.01	2.03	0.79
60SSTH05	1"	0.99	3.51	2.36	2.21	1.52
60SSTH06	1-1/4"	1.26	4.14	2.60	2.52	1.90
60SSTH07	1-1/2"	1.58	4.73	2.96	2.94	2.98
60SSTH08	2"	1.97	5.48	3.15	3.31	5.22

