

# 70SSTH S.S. Threaded Y Strainer • Spec Sheet

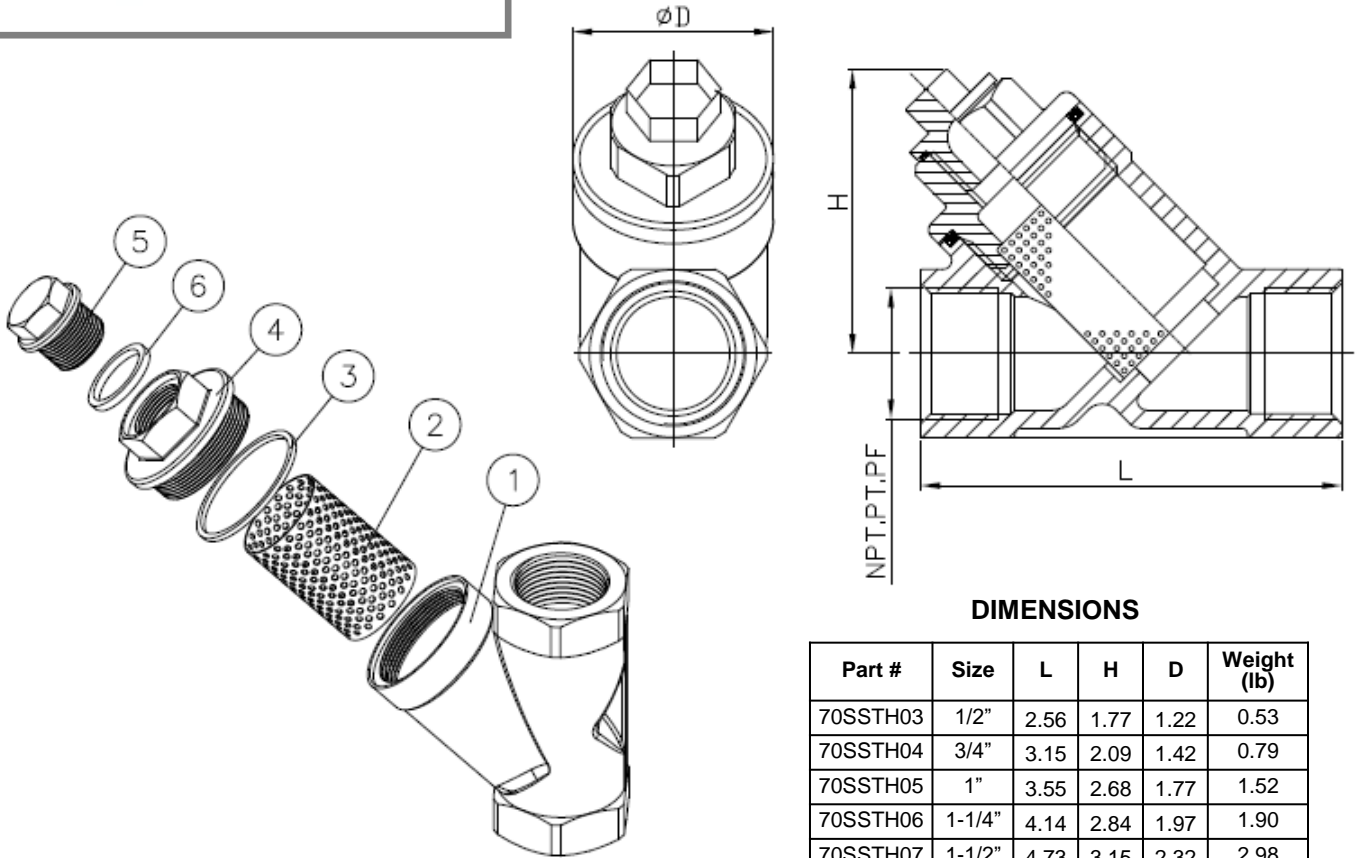


## FEATURES & BENEFITS

- W.P. 800WOG
- W.T. -4°F - 392°F
- 316 Stainless Steel Body
- 20 Mesh Screen
- Investment Casting
- Thread Type: NPT
- Sizes 1/2" - 2"

## MATERIAL SPECIFICATIONS

No.	Part	Material
1	Body	Stainless Steel 316
2	Screen	Stainless Steel 304
3	Gasket	PTFE
4	Cap	Stainless Steel 316
5	Stopper	Stainless Steel 316
6	Gasket	PTFE



## DIMENSIONS

Part #	Size	L	H	D	Weight (lb)
70SSTH03	1/2"	2.56	1.77	1.22	0.53
70SSTH04	3/4"	3.15	2.09	1.42	0.79
70SSTH05	1"	3.55	2.68	1.77	1.52
70SSTH06	1-1/4"	4.14	2.84	1.97	1.90
70SSTH07	1-1/2"	4.73	3.15	2.32	2.98
70SSTH08	2"	5.52	3.82	2.96	5.22

