

## Three Way Rubber Plug Valve, T316



**51-01 Polish to a 32 Ra, T316**

### Features of the Three-Way Rubber Plug Valve:

**Alloy: T316**

**Polish: 32 Ra or Better**

**Sizes Available: 1.5", 2", 3"**

**Clamp Ends**

**Made for Low Pressure and Temperature Uses— Temperatures to 95°F and pressures under 25 psig.**

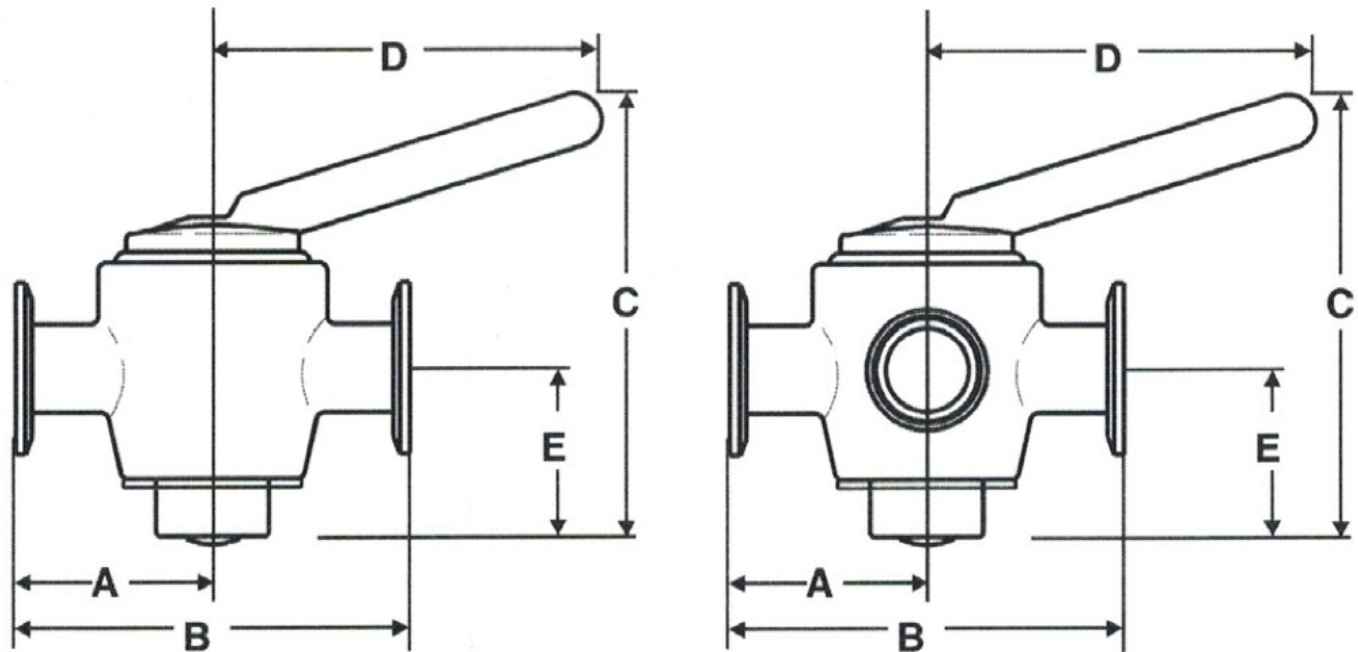
**Note: Plug Valves are subject to leakage from the first time they are installed due to cleaning, maintenance and normal operation.**

[www.sanitarysolutions.com](http://www.sanitarysolutions.com)

Sanitary Solutions Inc. 1-888-909-3569 or 1-855-640-7871

Prices are subject to change without notice; please call before you quote

## Three Way Rubber Plug Valve Dimensions



<u>Size</u>	<u>A</u>	<u>B</u>	<u>C</u>	<u>D</u>	<u>E</u>	<u>Weight</u>
1.5"	2.908	5.813	7.055	5.635	2.55	8.00
2"	3.407	6.813	7.633	5.635	2.80	13.00
3"	4.781	9.438	9.750	7.250	3.75	34.10

**T316 Three Way Rubber Plug Valve Part Number:**

**SS11MPR3WAY- SIZE- 316**

**No Expediting Charges/ Same Day Shipping**

[www.sanitarysolutions.com](http://www.sanitarysolutions.com)

Sanitary Solutions Inc. 1-888-909-3569 or 1-855-640-7871

Prices are subject to change without notice; please call before you quote