

AIR BLOW CHECK VALVES



SSABCV-Size-Alloy (Type A)



SSABCV-FNPT-Size-Alloy (B)



SSABCV-RHB-Size-Alloy (Type C)



Air Blow, Y-Ball, Check Valve

Sanitary Solutions stocks:

Sizes: 1.5", 2", 2.5", 4", 6.00"

Alloy: T316L

Types of Air Blow Check Valves:

EPDM Stem Seat & Gasket

Conforms to 3-A Standards

Type A or with 3/8" Air Line Coupler
Type B with 1/2" Female NPT Connection
Type C with Rubber Hose Barb Connection

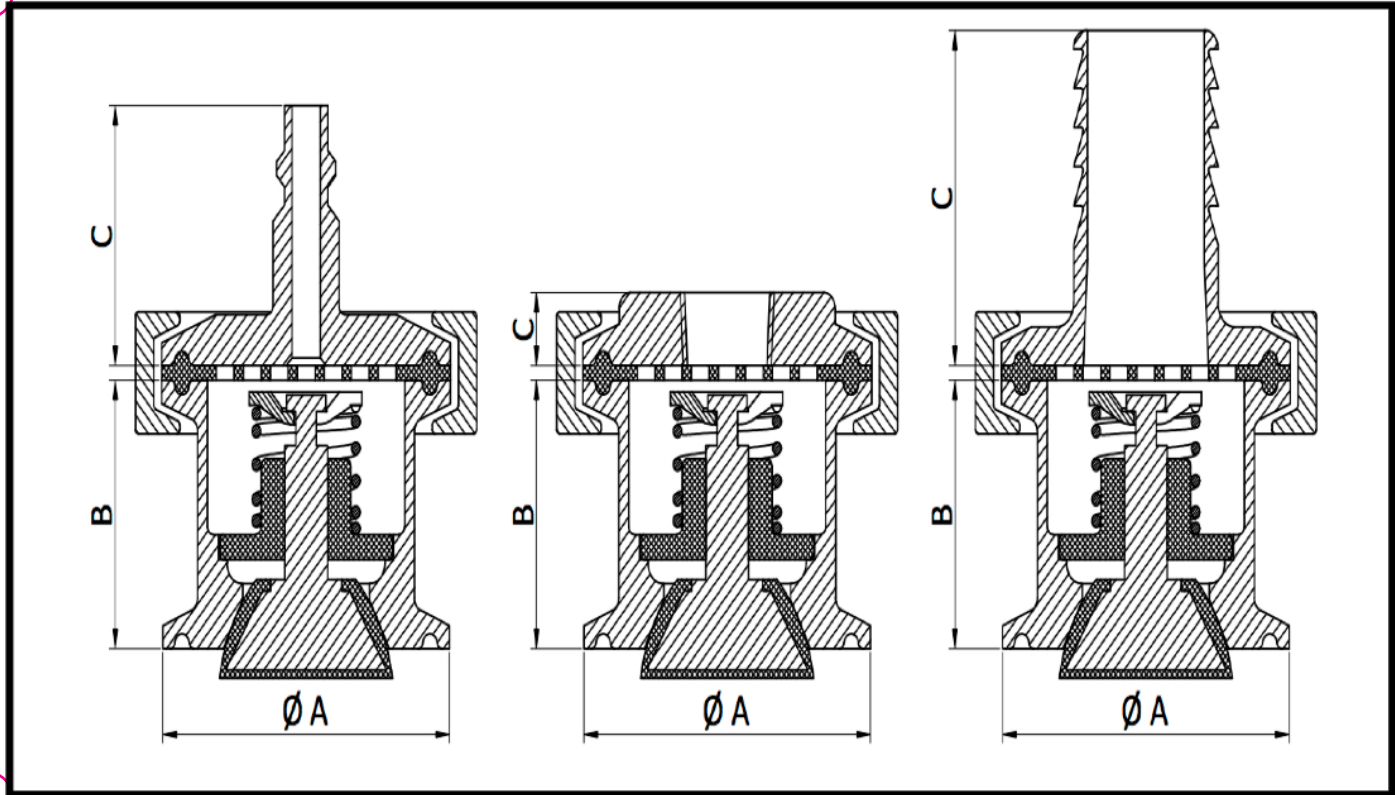
Sanitary Solutions Air Blow Check Valves conform to 3-A practices and are designed to evacuate lines of product or Clean in Place solutions and provide air movement to product in either a tank or other form of vessel.

www.sanitarysolutions.com

Sanitary Solutions Inc. 1-888-909-3569 or 1-855-640-7871

Prices are subject to change without notice; please call before you quote

Air Blow Check Valve Dimensions



Size	A	B	C (PLUG)	C (FNPT)	C (HOSE BARB)
1"	1.984" (50.39mm)	1.299" (33.0mm)	1.260" (32.0mm)	0.626" (15.9mm)	1.689" (43.0mm)
1 1/2"	1.984" (50.39mm)	1.299" (33.0mm)	1.260" (32.0mm)	0.626" (15.9mm)	1.689" (43.0mm)
2"	2.516" (63.91mm)	1.299" (33.0mm)	1.260" (32.0mm)	0.626" (15.9mm)	1.689" (43.0mm)
2 1/2"	3.047" (77.39mm)	1.299" (33.0mm)	1.260" (32.0mm)	0.626" (15.9mm)	1.689" (43.0mm)
4"	4.682" (118.92mm)	1.299" (33.0mm)	1.260" (32.0mm)	0.626" (15.9mm)	1.689" (43.0mm)

www.sanitarysolutions.com

Sanitary Solutions Inc. 1-888-909-3569 or 1-855-640-7871

Prices are subject to change without notice; please call before you quote

Air Blow Check Valve Material List

Air Blow Check Valves

Material List



Item	Discription	Material	Quantity
1A	1/4" air line quick connect	316L	1
1B	1/2" NPT cap	316L	1
1C	1" hose barb	316L	1
2	single pin clamp	CF8	1
3	valve body	316L	1
4	perforated disc	EPDM/316L	1
4A	spring retainer	304	1
4B	spring	304	1
4C	stem guide	Nylon	1
4D	stem and plug	EPDM/316L	1

**Note: Sanitary Solutions stocks a full line of repair kits consisting of:
 1-- T304 SS Spring, 1-- EPDM/316L SS Perforated Disc, 1-- Nylon Stem Guide
 1-- T304 SS Spring Retainer, 1-- EPDM/316L Stem & Plug**

Sanitary Solutions Repair Kit # SSABCV-RK-SIZE



www.sanitarysolutions.com

Sanitary Solutions Inc. 1-888-909-3569 or 1-855-640-7871

Prices are subject to change without notice; please call before you quote