

Sanitary Air Actuated Butterfly Valve

T316L

**Compact
Design**

**NEMA 4
For Wash
Down**

**800K
Cycle
Tested**

**Air Open
Spring to
Close**

**1"—4"
(Stock)**



Sanitary Solutions is your source for a T316L Sanitary Air Actuated Butterfly Valves with a compact design.

Sanitary Solutions stocks an EPDM seat as a standard, but we also offer a Silicone or Viton® seat to fit your requirements. Each valve is polished to a 32Ra finish or better and can be washdown (NEMA 4).

Sanitary Solutions provides same day shipping with stocking sizes (1"—4") to meet your beverage, food or pharmaceutical application.

Actuated Butterfly Valve Part Number Example:

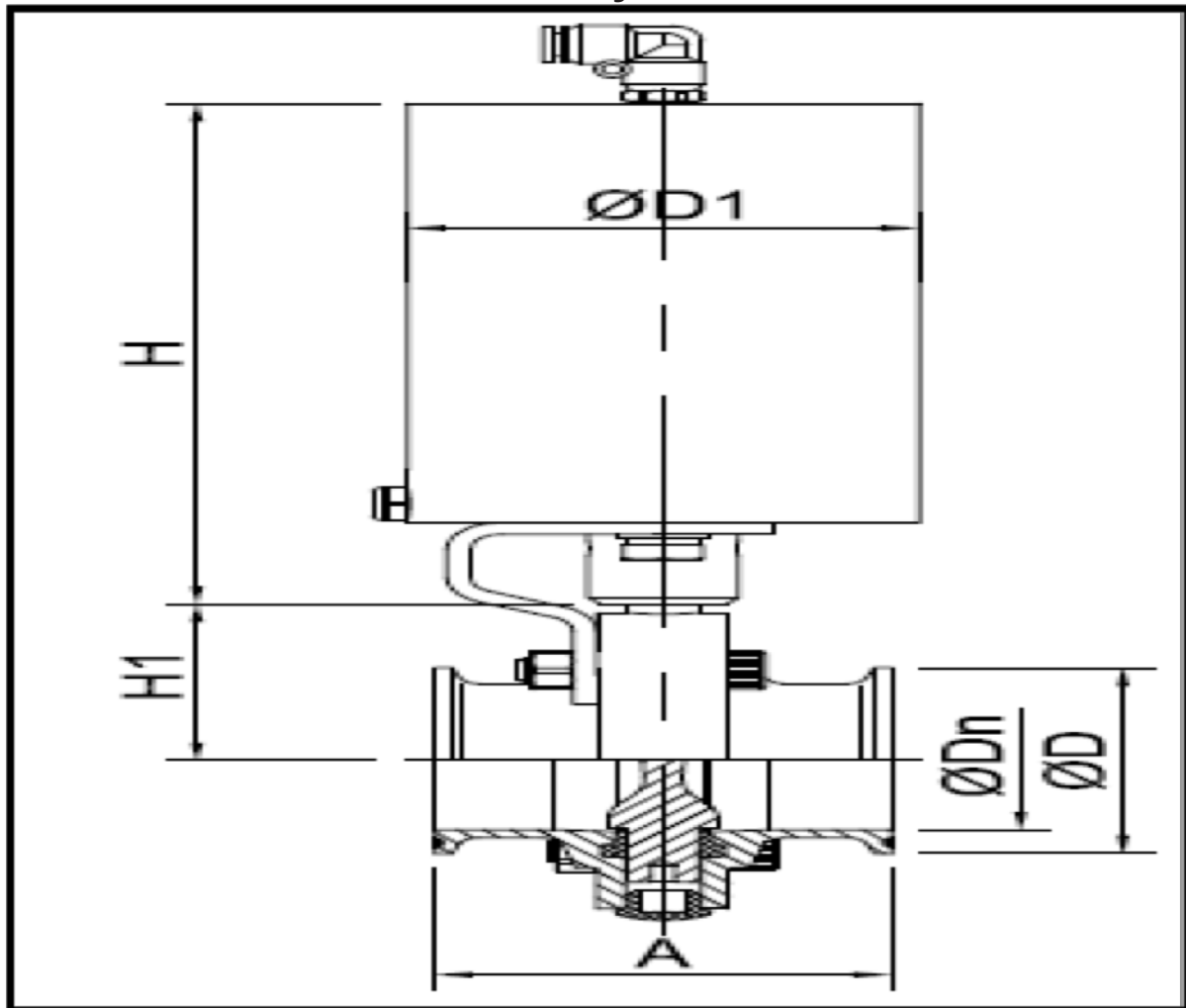
SSABFV-SIZE-316L

www.sanitarysolutions.com

Sanitary Solutions Inc. 1-888-909-3569 or 1-855-640-7871

Prices are subject to change without notice; please call before you quote

Air Actuated Butterfly Valve Dimensions



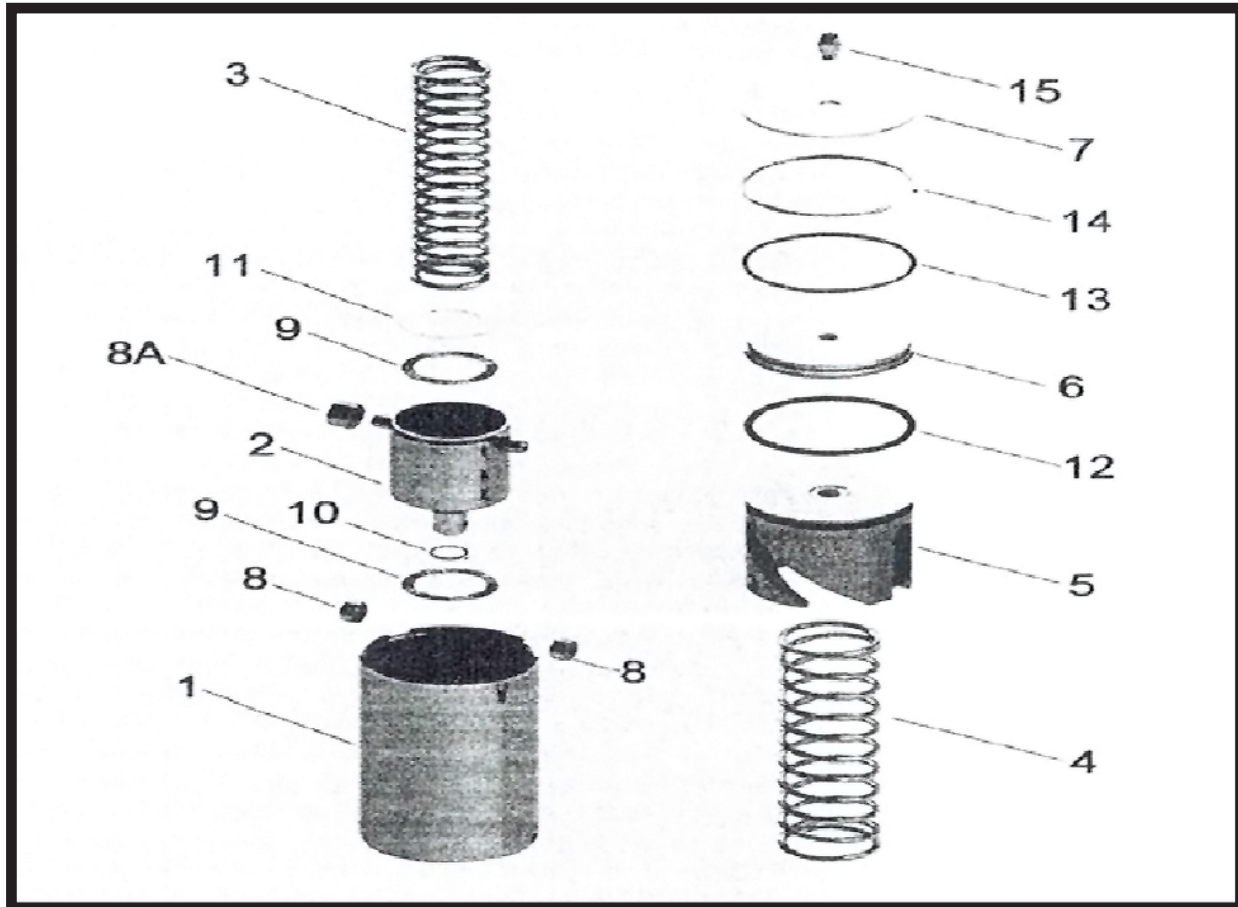
<u>Size</u>	<u>D</u>	<u>D1</u>	<u>A</u>	<u>H</u>	<u>H1</u>	<u>Weight</u>
1"	1.988	3.346	2.598	6.791	1.653	9.80
1.5"	1.988	3.346	2.755	6.791	1.811	9.80
2"	2.519	3.346	2.9692	6.791	2.126	9.80
2.5"	3.051	3.346	3.149	6.791	2.302	10.60
3"	3.583	3.346	3.307	6.791	2.638	12.30
4"	4.685	3.346	4.094	6.791	3.149	16.30

www.sanitarysolutions.com

Sanitary Solutions Inc. 1-888-909-3569 or 1-855-640-7871

Prices are subject to change without notice; please call before you quote

Air Actuated Butterfly Valve Materials List



Item	Discription	Material	Quantity	
			SR	DA
1	body	304	1	1
2	drive	304	1	1
3	inner spring	302	1	0
4	outer spring	302	1	0
5	piston	aluminum	1	1
6	end cap	304	1	1
7	top cap	304	1	1
8	needle bearing (body)	304	2	2
8A	needle bearing (drive)	304	2	2
9	thrust bearing	304	2	1
10	O-ring (drive)	EPDM	1	1
11	thrust washer	304	1	0
12	O-ring (Piston)	EPDM	1	1
13	O-ring (end cap)	EPDM	1	1
14	retaining ring	304	1	1
15	air fitting	brass	1	2

www.sanitarysolutions.com

Sanitary Solutions Inc. 1-888-909-3569 or 1-855-640-7871

Prices are subject to change without notice; please call before you quote