

T304 Black Plastic Handle Butterfly Valve



Multiple Positions, EPDM Seat, GREAT PRICE, Repair Kits

Features of the Black Plastic Handle Clamp Butterfly Valve:

T304

Polish to 32Ra

Heat Number

100% Hydraulic Pressure Test

Interchangeable Handle to either side

Operating Temperature: 15°F to 195°F

EPDM Standard-- Other Seats: Silicone or Viton®

Maximum Operating Pressure: 85 psi.

No special Tools/Field Serviceable

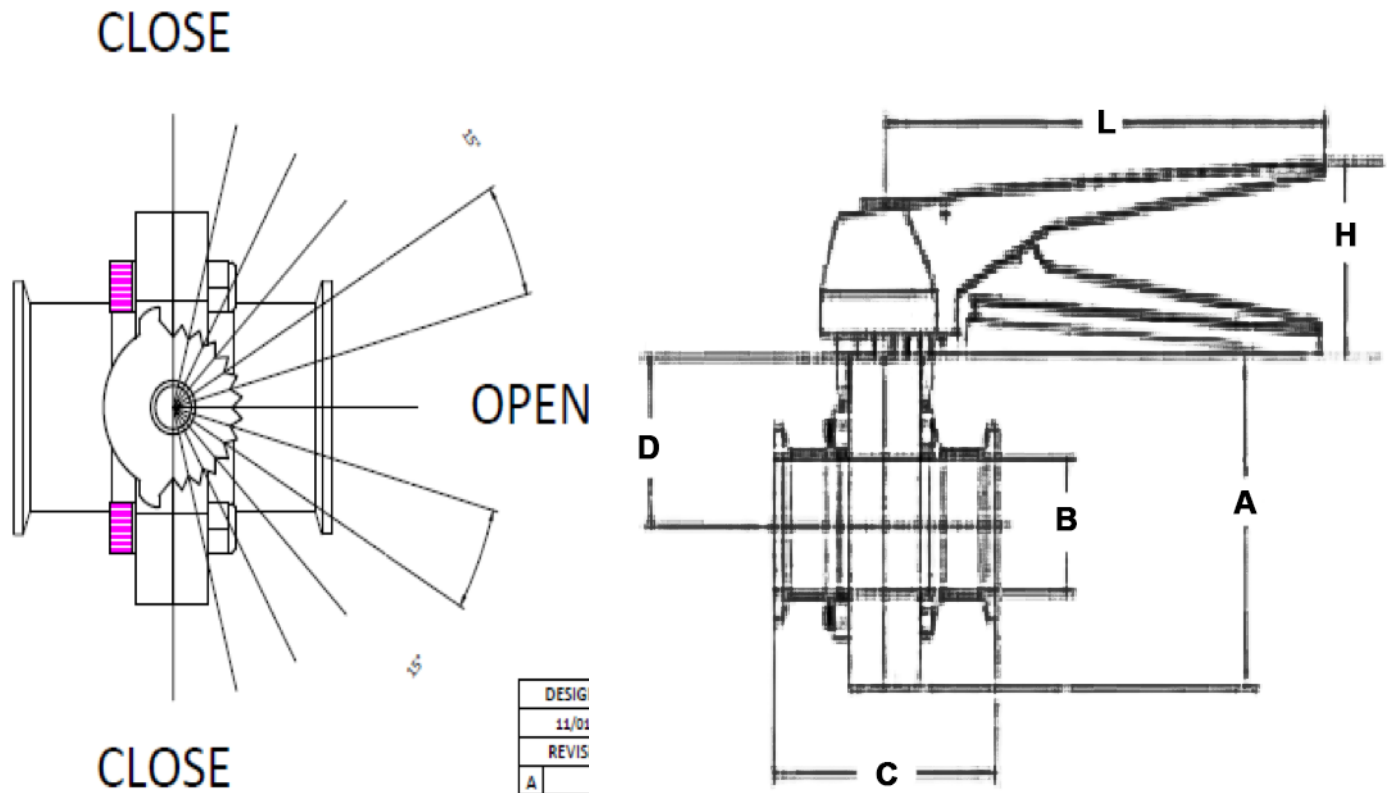
Repair Kits: Seat & Bushings (in stock)

www.sanitarysolutions.com

Sanitary Solutions Inc. 1-888-909-3569 or 1-855-640-7871

Prices are subject to change without notice; please call before you quote

T304 Black Plastic Handle Butterfly Valve Dimensions



<u>Size</u>	<u>A</u>	<u>B</u>	<u>C</u>	<u>D</u>	<u>H</u>	<u>L</u>	<u>Torque In lbs.</u>	<u>PSI</u>	<u>Weight</u>
1"	3.500	1.000	3.500	1.750	2.165	6.102	75	140	2.50
1.5"	3.750	1.500	3.500	1.750	2.165	6.102	130	140	1.70
2"	4.370	2.000	3.688	1.940	2.165	6.102	165	140	3.20
2.5"	4.750	2.500	3.750	1.875	2.165	6.102	210	110	4.60
3"	5.250	3.000	4.067	2.034	2.165	6.102	350	110	5.80
4"	6.380	4.000	4.750	2.375	2.165	6.102	540	85	10.10

T304 Black Plastic Handle Butterfly Valve Part Number:

SSBFVPE-SIZE-T304

www.sanitarysolutions.com

Sanitary Solutions Inc. 1-888-909-3569 or 1-855-640-7871

Prices are subject to change without notice; please call before you quote