

Three Way “L or “T” Port Features



(3) RED ARROWS Indicating FLOW

ISO 5211 Mount Pad/ Locking Handle

Features of the Three Way “L” or “T” Port Ball Valve:

PTFE Encapsulated Seats

Polish to a 3-A Standard

Heat Numbers on Valve

Capped/Bagged

Flow Indicators on Top of Valve

Locking Handle

ISO 5211 Mount Pad

Full Traceability

Clamp Ends (Standard)

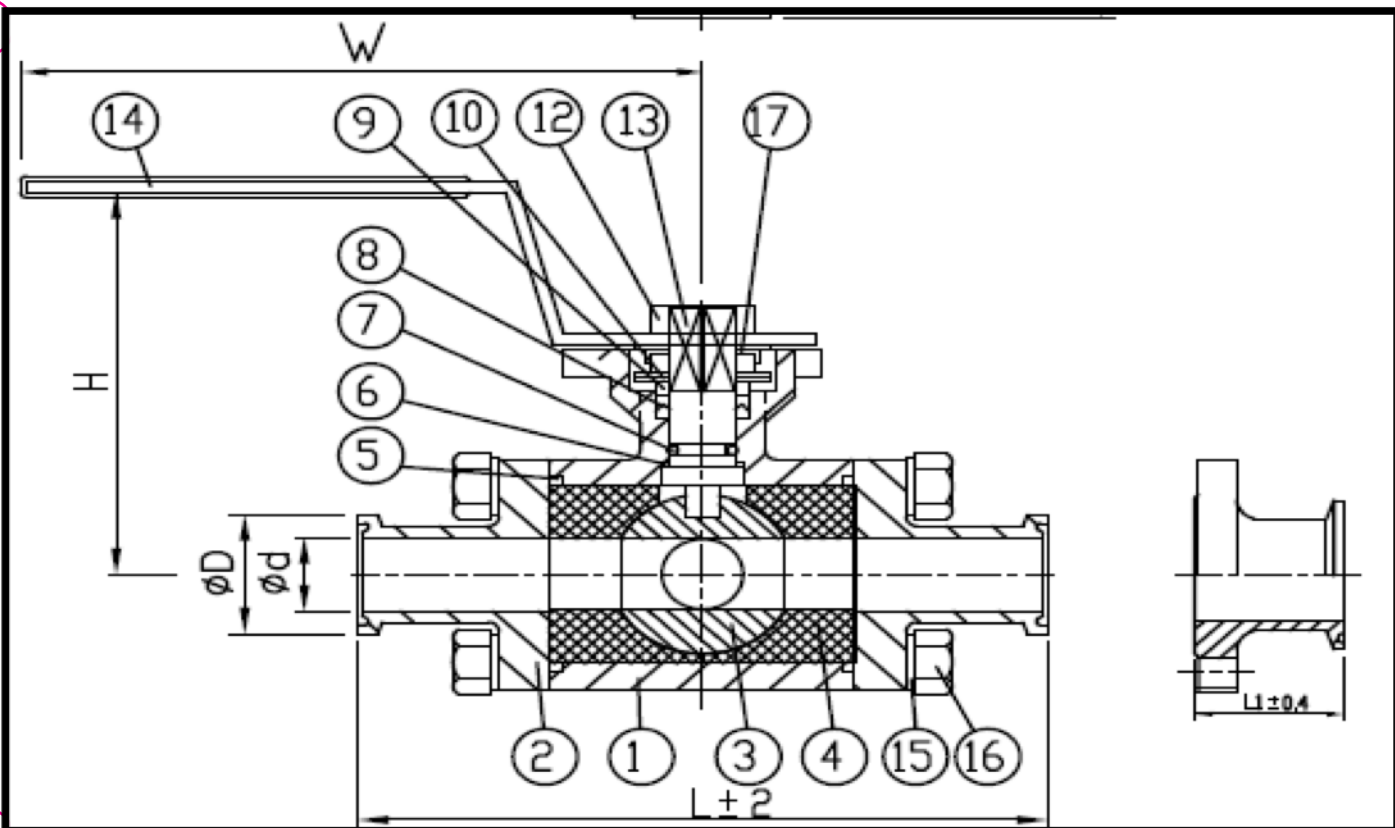
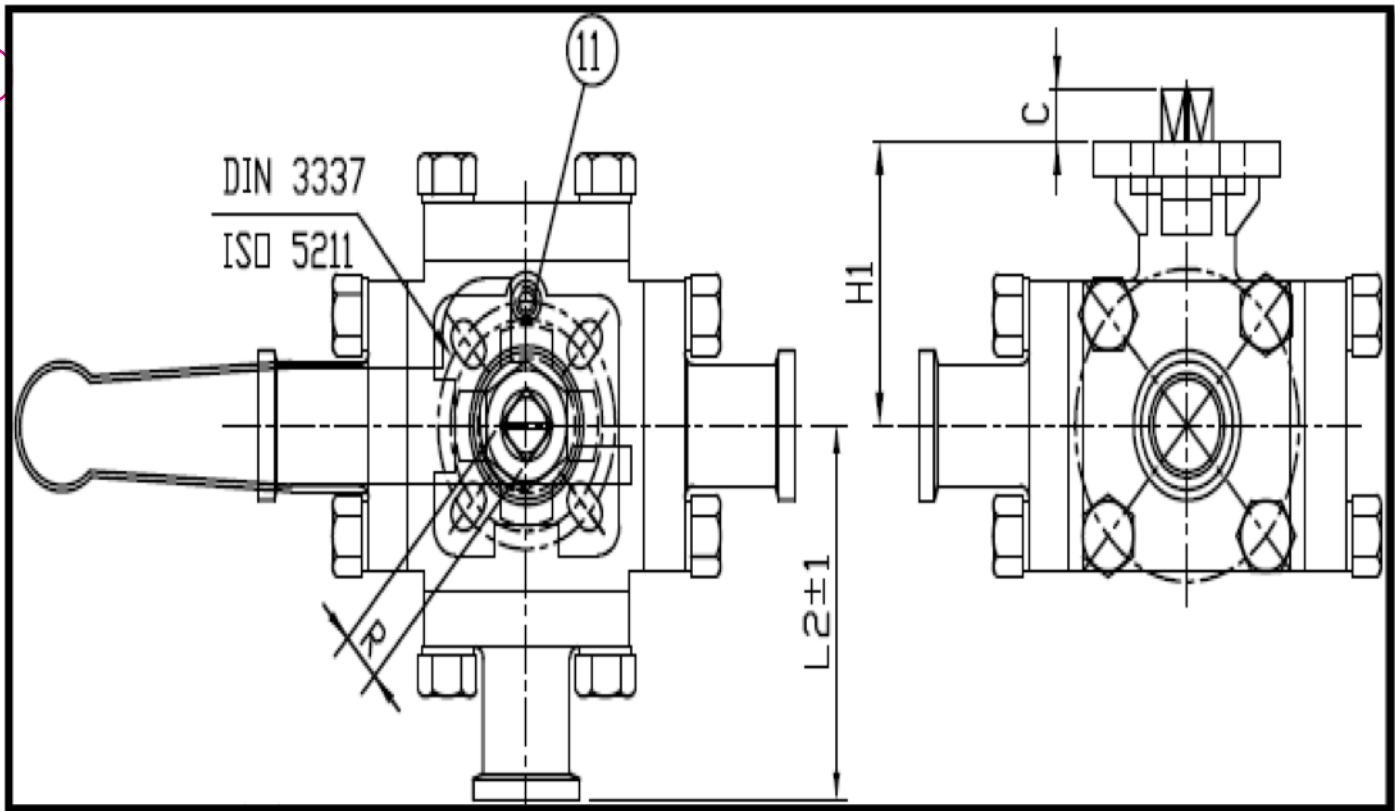
Repair Kits available for either three-way valve IN STOCK

www.sanitarysolutions.com

Sanitary Solutions Inc. 1-888-909-3569 or 1-855-640-7871

Prices are subject to change without notice; please call before you quote

Three Way Ball Valve Materials for (Sizes 1/2"—2")



www.sanitarysolutions.com

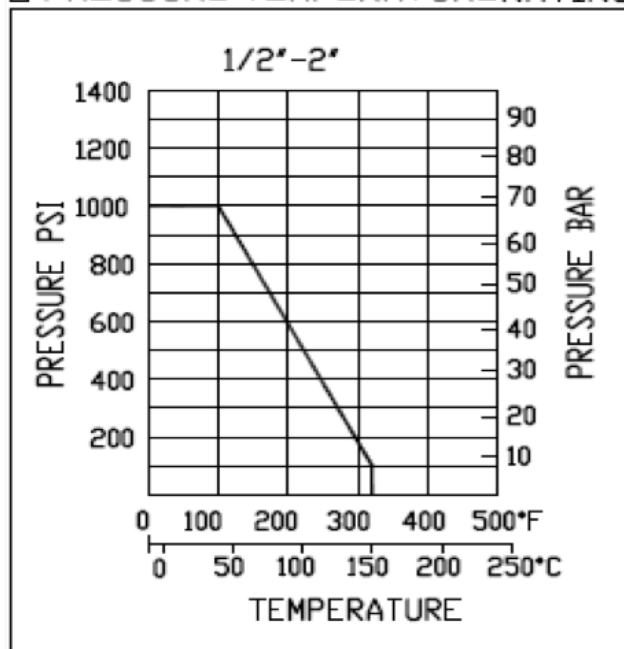
Sanitary Solutions Inc. 1-888-909-3569 or 1-855-640-7871

Prices are subject to change without notice; please call before you quote

Three Way Ball Valve Materials for **Sizes 1/2"–2"**

ITEM	PARTS	CODE	MATERIAL		QTY
1	BODY	SAS-401T-D-BDYxxx	A351-CF8M	A351-CF3M	1
2	CAP(CLAMP)	SAS-401T-D-CAPxxx	A351-CF8M	A351-CF3M	4
3	BALL	SAS-401T-D-BALxxx	A351-CF8M	A351-CF3M	1
4	SEAT	SAS-401T-D-SETxxx	PTFE/TFM-1600		4
5	GASKET	SAS-401T-D-GSKxxx	PTFE	PTFE	2
6	THRUST WASHER	SAS-401T-D-TWSxxx	PTFE	PTFE	1
7	□-RING	SAS-401T-D-□RGxxx	VITON	VITON	1
8	STEM PACKING	SAS-401T-D-STPxxx	PTFE	PTFE	1
9	RING A	SAS-401T-D-RGAxxx	AISI 304	AISI 304	2-3
10	BEVEL WASHER	SAS-401T-D-BVWxxx	AISI 301	AISI 301	2
11	STOP PIN	SAS-401T-D-PINxxx	AISI 304	AISI 304	1
12	NUT	SAS-401T-D-HNUxxx	AISI 304	AISI 304	1
13	STEM	SAS-401T-D-STMxxx	AISI 316	AISI 316	1
14	HANDLE	SAS-401T-D-HDLxxx	AISI 304	AISI 304	1
15	SPRING WASHER	SAS-401T-D-BWSxxx	AISI 304	AISI 304	16
16	BOLT	SAS-401T-D-BDLxxx	AISI 304	AISI 304	16
17	PREVALING DEVICE	SAS-401T-D-PDVxxx	AISI 304	AISI 304	1

□ PRESSURE TEMPERATURE RATING



PORT TYPE	1	2	3	4
L				
T				

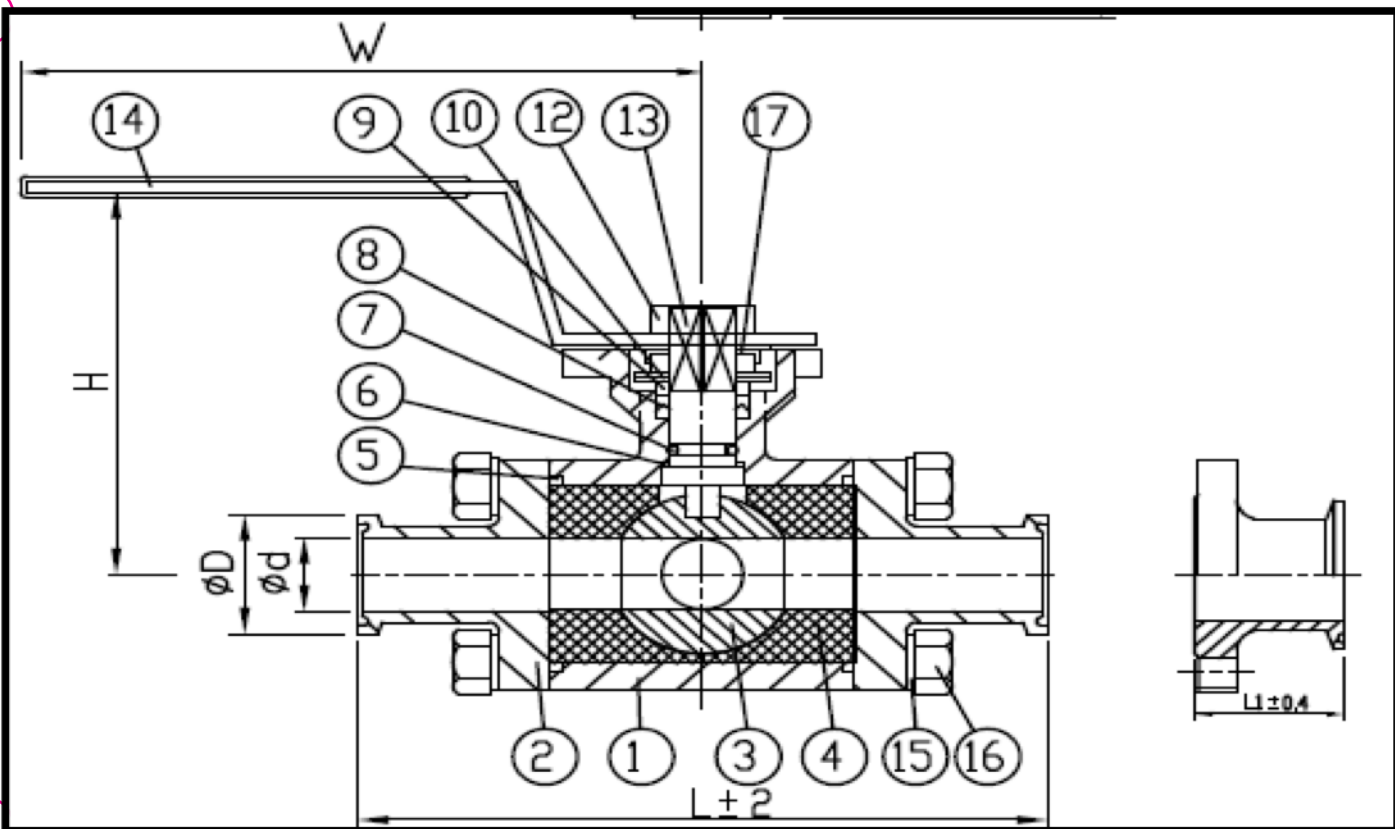
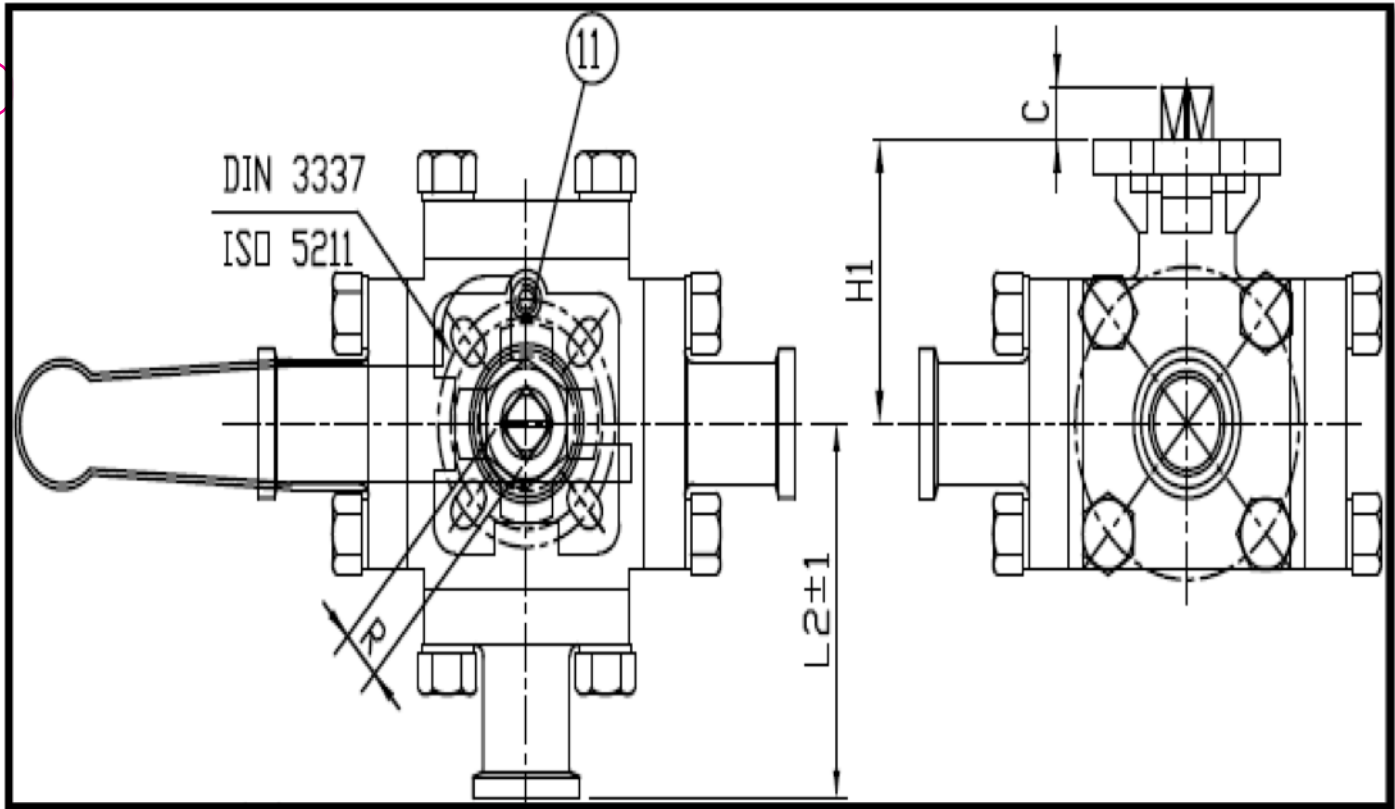
NOTE: The Above Charts refer only to the 1/2"- 2" Three Way Ball Valves.

www.sanitarysolutions.com

Sanitary Solutions Inc. 1-888-909-3569 or 1-855-640-7871

Prices are subject to change without notice; please call before you quote

Three Way Ball Valve Dimensions for (Sizes 1/2"—2")



www.sanitarysolutions.com

Sanitary Solutions Inc. 1-888-909-3569 or 1-855-640-7871

Prices are subject to change without notice; please call before you quote

Three Way Ball Valve Dimensions for (Sizes 1/2"—2")

<u>SIZE</u>	<u>ISO-5211</u>	<u>W</u>	<u>H</u>	<u>HI</u>	<u>C</u>	<u>R</u>
1/2"	F03/F04	4.764	3.071	1.752	0.354	0.354
3/4"	F03/F04	4.764	3.228	1.889	0.354	0.354
1"	F04/F05	5.394	3.543	2.323	0.433	0.433
1-1/2"	F05/F07	7.165	4.331	2.834	0.551	0.551
2"	F05/F07	7.165	4.516	3.228	0.551	0.551

<u>SIZE</u>	<u>L</u>	<u>L1</u>	<u>L2</u>	<u>∅d</u>	<u>∅D</u>	<u>TORQUE INLB.</u>	<u>Weight L-Port</u>	<u>Weight T-Port</u>
1/2"	4.646	1.259	2.323	0.374	0.992	95	2.38	2.35
3/4"	5.000	1.338	2.480	0.622	0.992	110	2.93	2.88
1"	6.000	1.661	3.000	0.874	1.988	150	7.50	7.00
1.5"	6.889	1.692	3.445	1.378	1.988	350	11.50	11.00
2"	7.480	1.575	3.740	1.874	2.519	708	17.50	15.00

Note: "L" Port Part Number Example When Ordering:

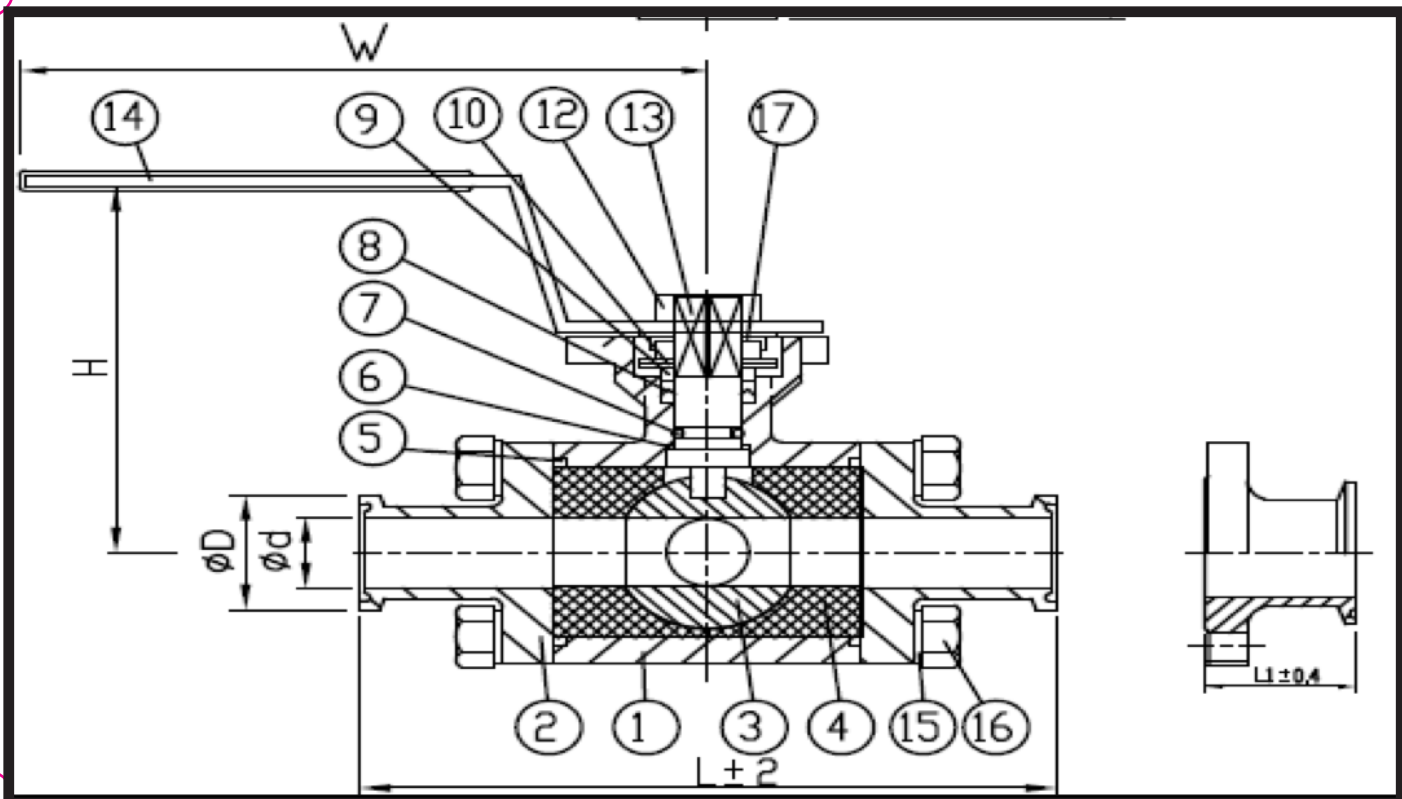
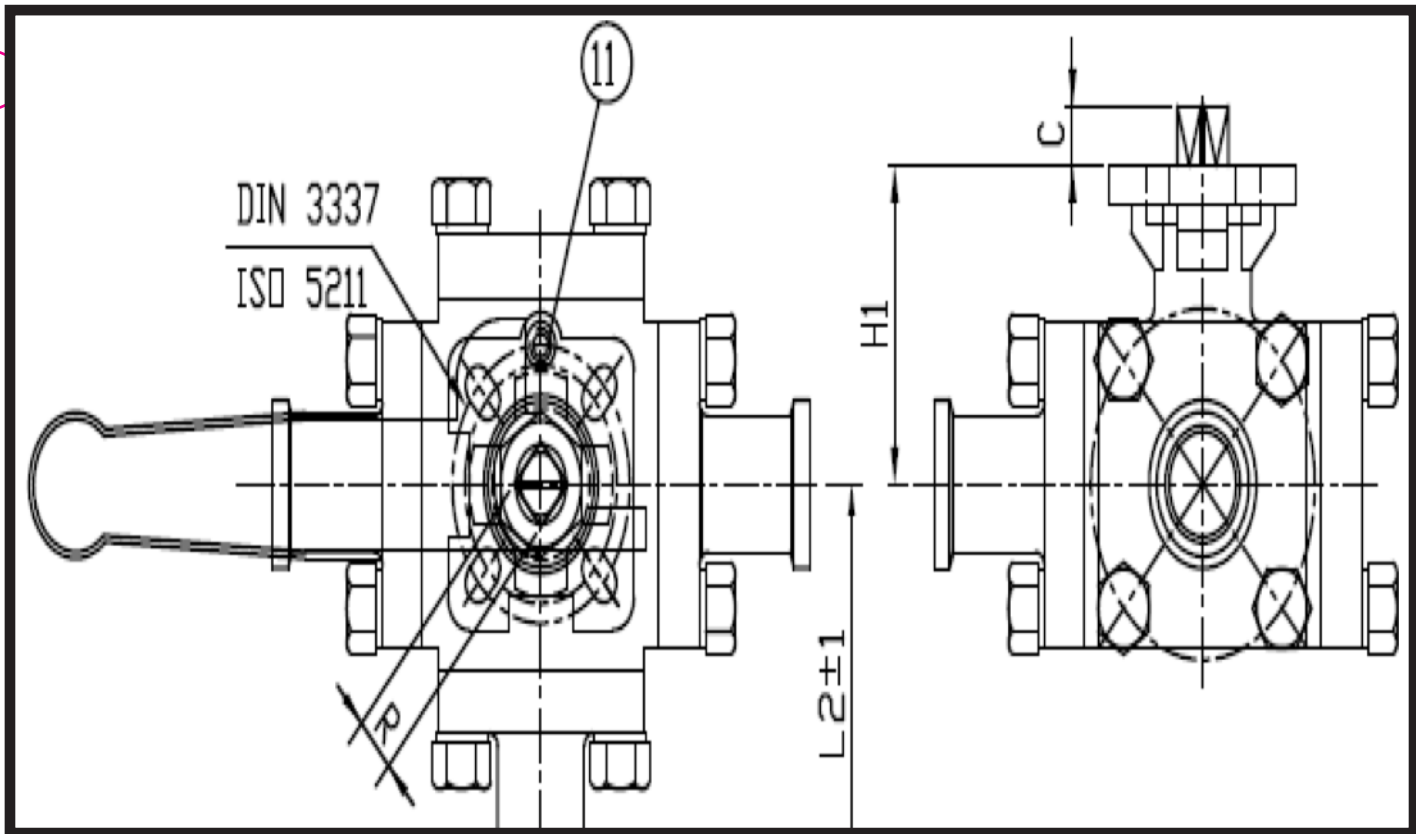
SSEBVC3L- SIZE- 316

www.sanitarysolutions.com

Sanitary Solutions Inc. 1-888-909-3569 or 1-855-640-7871

Prices are subject to change without notice; please call before you quote

Three Way Ball Valve Materials for (Sizes 2½" & 3")



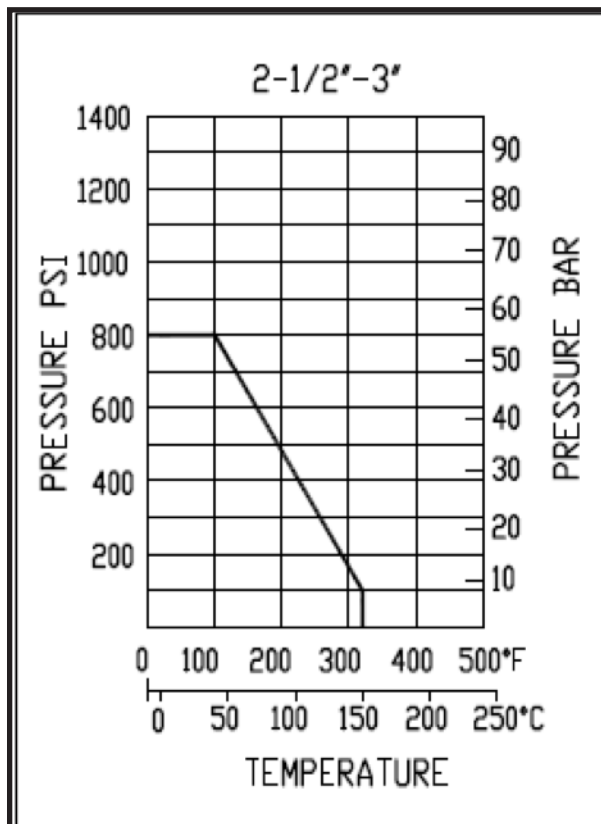
www.sanitarysolutions.com

Sanitary Solutions Inc. 1-888-909-3569 or 1-855-640-7871

Prices are subject to change without notice; please call before you quote

Three Way Ball Valve Materials for (Sizes 2½" & 3")

ITEM	PARTS	CODE	MATERIAL		QTY
1	BODY	SAS-401T-D-BDYxxx	A351-CF8M	A351-CF3M	1
2	CAP(CLAMP)	SAS-401T-D-CAPxxx	A351-CF8M	A351-CF3M	4
3	BALL	SAS-401T-D-BALxxx	A351-CF8M	A351-CF3M	1
4	SEAT	SAS-401T-D-SETxxx	PTFE/TFM-1600		4
5	GASKET	SAS-401T-D-GSKxxx	PTFE	PTFE	2
6	THRUST WASHER	SAS-401T-D-TWSxxx	PTFE	PTFE	1
7	O-RING	SAS-401T-D-ORGxxx	VITON	VITON	1
8	STEM PACKING	SAS-401T-D-STPxxx	PTFE	PTFE	1
9	RING A	SAS-401T-D-RGAxxx	AISI 304	AISI 304	2-3
10	BEVEL WASHER	SAS-401T-D-BVWxxx	AISI 301	AISI 301	2
11	STOP PIN	SAS-401T-D-PINxxx	AISI 304	AISI 304	1
12	NUT	SAS-401T-D-HNUxxx	AISI 304	AISI 304	1
13	STEM	SAS-401T-D-STMxxx	AISI 316	AISI 316	1
14	HANDLE	SAS-401T-D-HDLxxx	AISI 304	AISI 304	1
15	SPRING WASHER	SAS-401T-D-BWSxxx	AISI 304	AISI 304	16
16	BOLT	SAS-401T-D-BOLxxx	AISI 304	AISI 304	16
17	PREVALING DEVICE	SAS-401T-D-PDVxxx	AISI 304	AISI 304	1
18	HANDLE SCREW	SAS-401T-D-HSCxxx	AISI 304	AISI 304	1



PORT TYPE	1	2	3	4
L				
T				

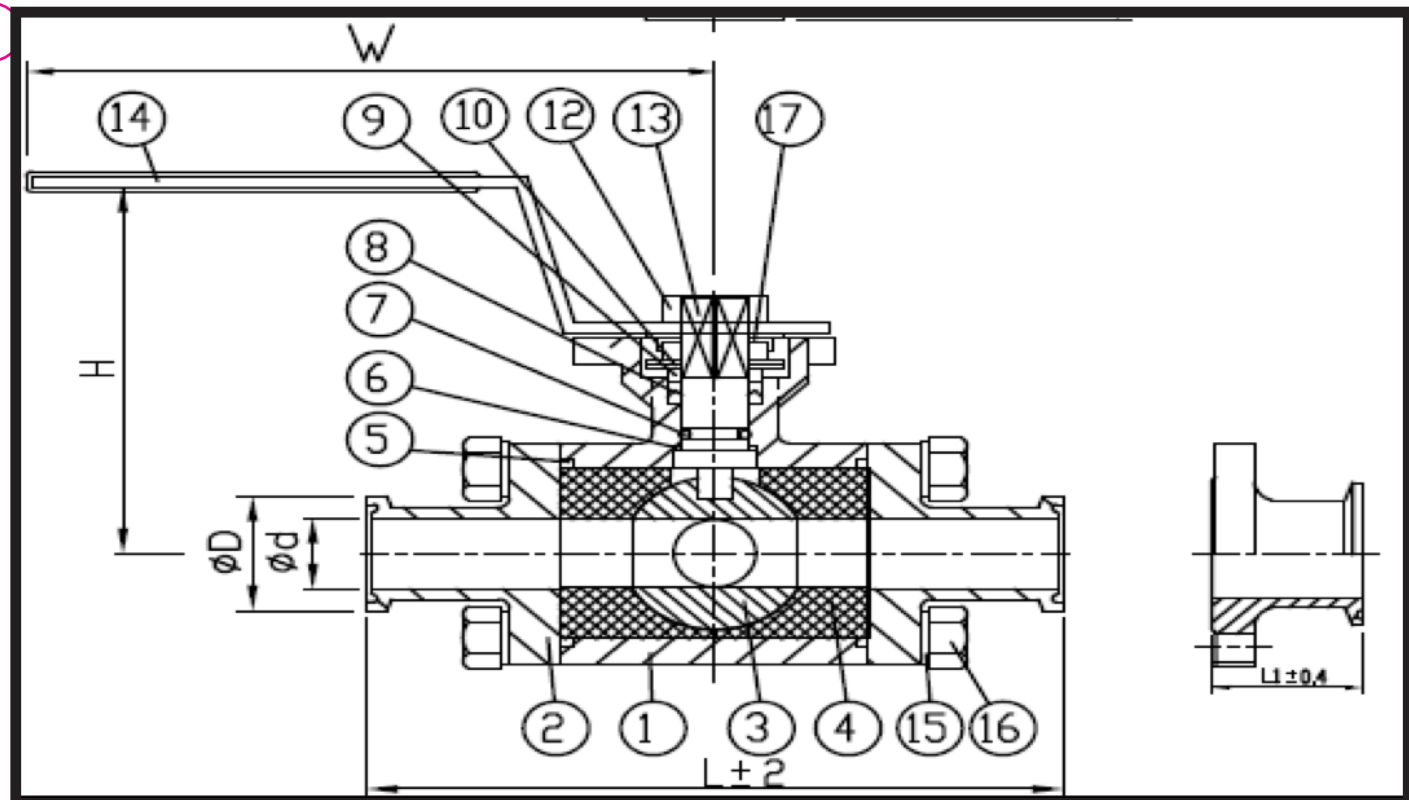
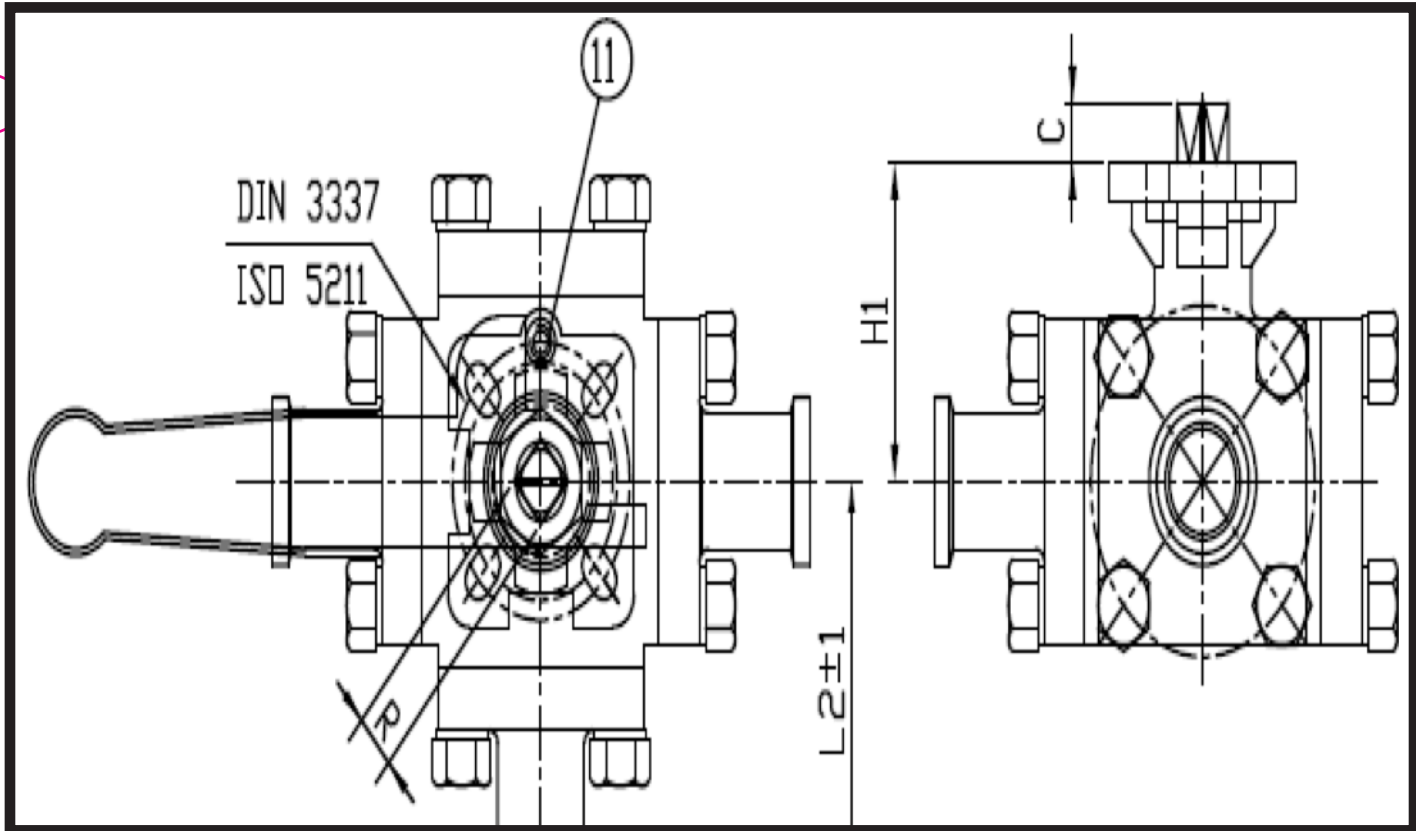
NOTE: The Above Charts refer only to the 2.5" & 3" Three Way Ball Valves.

www.sanitarysolutions.com

Sanitary Solutions Inc. 1-888-909-3569 or 1-855-640-7871

Prices are subject to change without notice; please call before you quote

Three Way Ball Valve Dimensions for (Sizes 2½" & 3")



www.sanitarysolutions.com

Sanitary Solutions Inc. 1-888-909-3569 or 1-855-640-7871

Prices are subject to change without notice; please call before you quote

Three Way Ball Valve Dimensions for (Sizes 2½" & 3")

<u>Size</u>	<u>ISO-5211</u>	<u>W</u>	<u>H</u>	<u>H1</u>	<u>C</u>	<u>R</u>	<u>L</u>
2.5"	F07/F10	14.57	4.252	3.937	0.669	0.669	8.976
3.0"	F10/12	15.75	5.275	4.941	0.905	0.866	10.24

<u>SIZE</u>	<u>L1</u>	<u>L2</u>	<u>ϕd</u>	<u>ϕD</u>	<u>Torque in lbs.</u>	<u>Weight L-Port</u>	<u>Weight T-Port</u>
2.5"	2.055	4.200	2.370	3.051	1060	26.50	25.00
3.0"	2.165	4.803	2.874	3.583	1750	49.00	46.00

Note: "L" Port Part Number Example When Ordering:

SSEBVC3L-SIZE-ALLOY

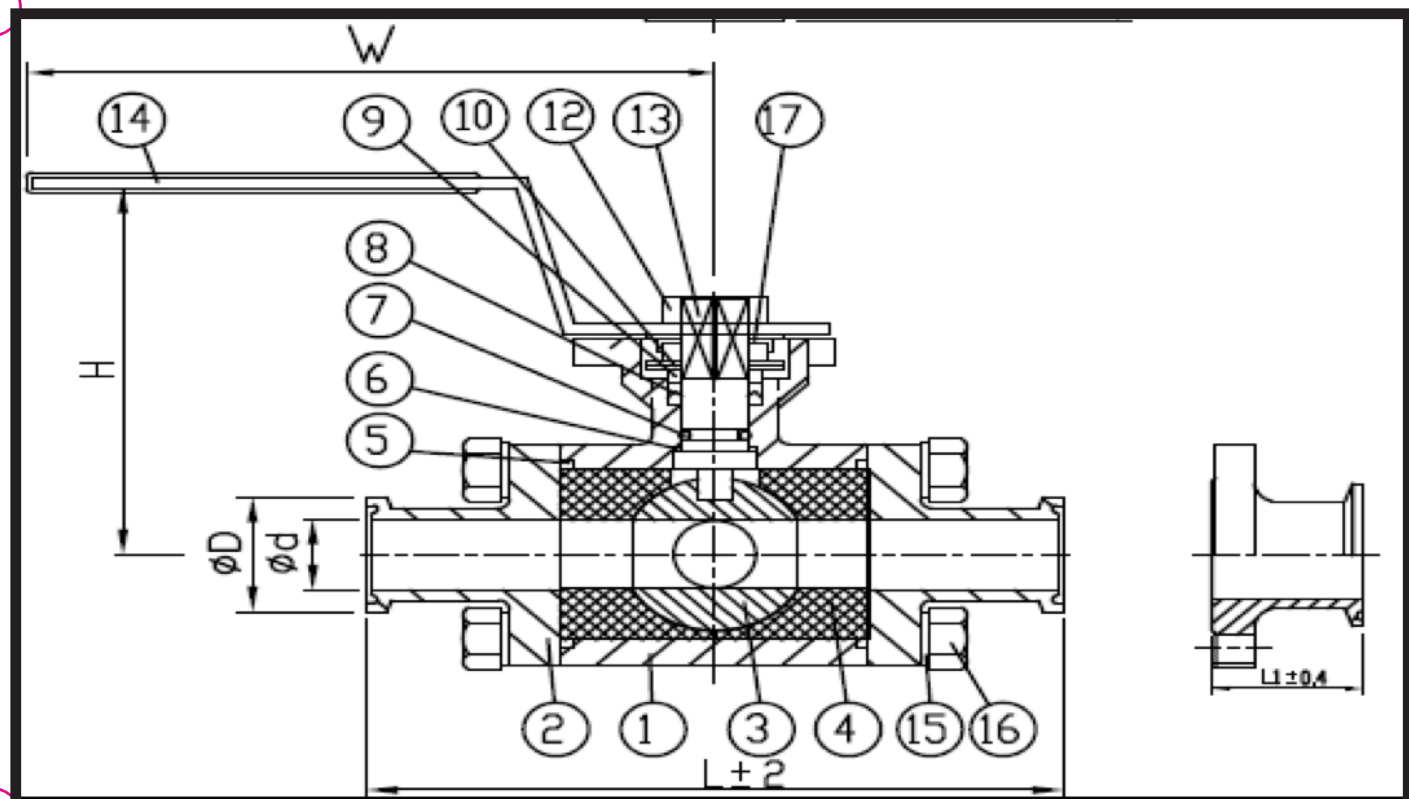
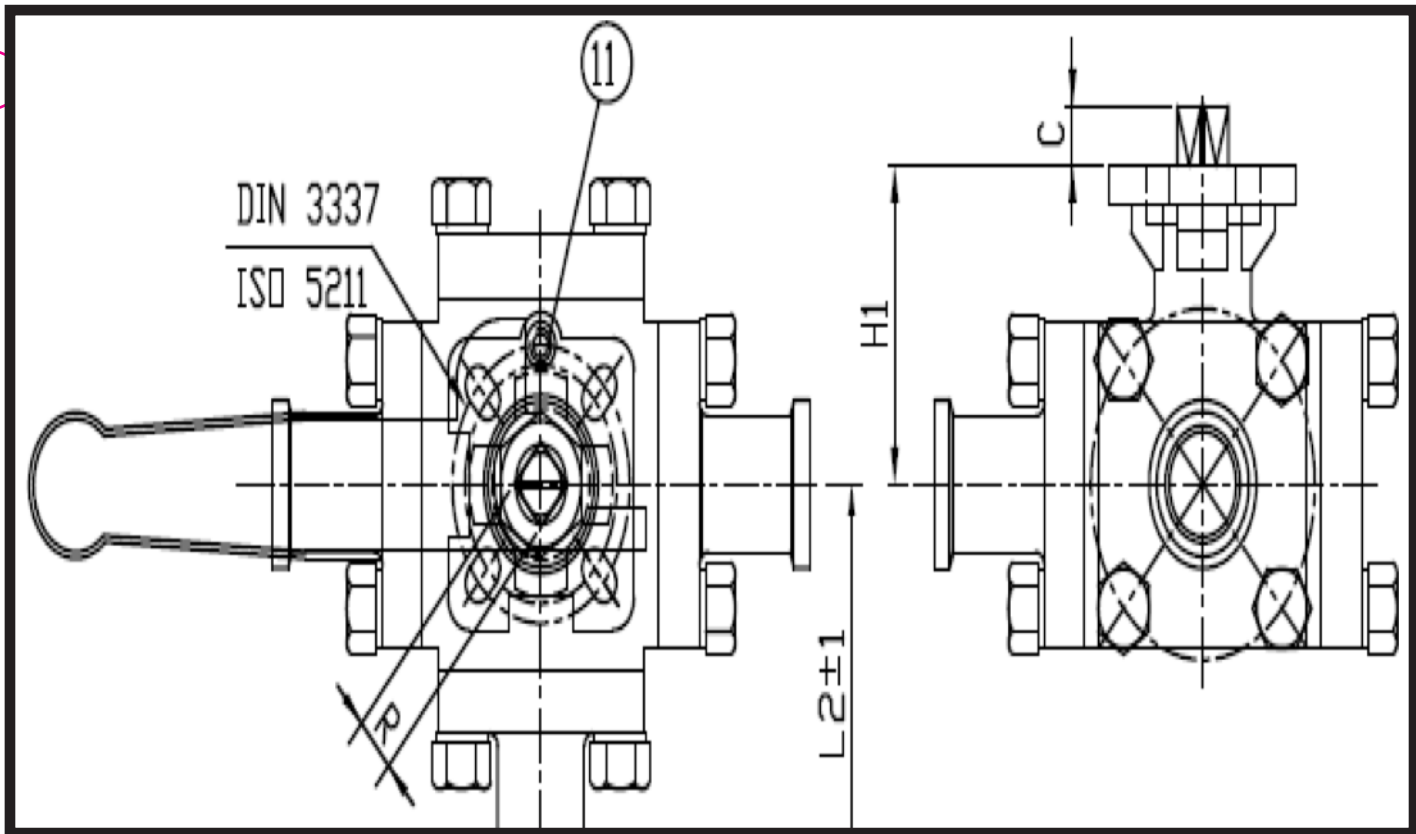
No Expediting Charges/ Same Day Shipping

www.sanitarysolutions.com

Sanitary Solutions Inc. 1-888-909-3569 or 1-855-640-7871

Prices are subject to change without notice; please call before you quote

Three Way Ball Valve Materials for (4" SIZE)



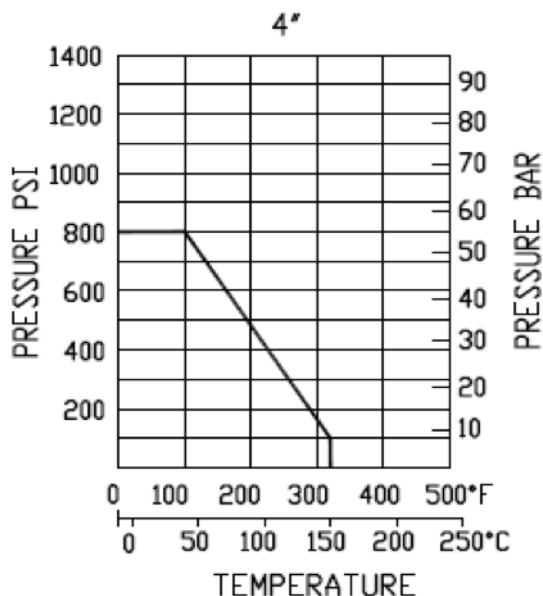
www.sanitarysolutions.com

Sanitary Solutions Inc. 1-888-909-3569 or 1-855-640-7871

Prices are subject to change without notice; please call before you quote

Three Way Ball Valve Materials for (4" SIZE)

ITEM	PARTS	CODE	MATERIAL		QTY
1	BODY	SAS-401T-D-BDYxxx	A351-CF8M	A351-CF3M	1
2	CAP(CLAMP)	SAS-401T-D-CAPxxx	A351-CF8M	A351-CF3M	4
3	BALL	SAS-401T-D-BALxxx	A351-CF8M	A351-CF3M	1
4	SEAT	SAS-401T-D-SETxxx	PTFE/TFM-1600		4
5	GASKET	SAS-401T-D-GSKxxx	PTFE	PTFE	2
6	THRUST WASHER	SAS-401T-D-TWSxxx	PTFE	PTFE	1
7	O-RING	SAS-401T-D-ORGxxx	VITON	VITON	1
8	STEM PACKING	SAS-401T-D-STPxxx	PTFE	PTFE	1
9	RING A	SAS-401T-D-RGAxxx	AISI 304	AISI 304	2-3
10	BEVEL WASHER	SAS-401T-D-BVWxxx	AISI 301	AISI 301	2
11	STOP PIN	SAS-401T-D-PINxxx	AISI 304	AISI 304	1
12	NUT	SAS-401T-D-HNUxxx	AISI 304	AISI 304	1
13	STEM	SAS-401T-D-STMxxx	AISI 316	AISI 316	1
14	HANDLE	SAS-401T-D-HDLxxx	AISI 304	AISI 304	1
15	SPRING WASHER	SAS-401T-D-BWSxxx	AISI 304	AISI 304	16
16	BOLT	SAS-401T-D-BOLxxx	AISI 304	AISI 304	16
17	PREVALING DEVICE	SAS-401T-D-PDVxxx	AISI 304	AISI 304	1
18	HANDLE SCREW	SAS-401T-D-HSCxxx	AISI 304	AISI 304	1



PORT TYPE \	1	2	3	4
L				
T				

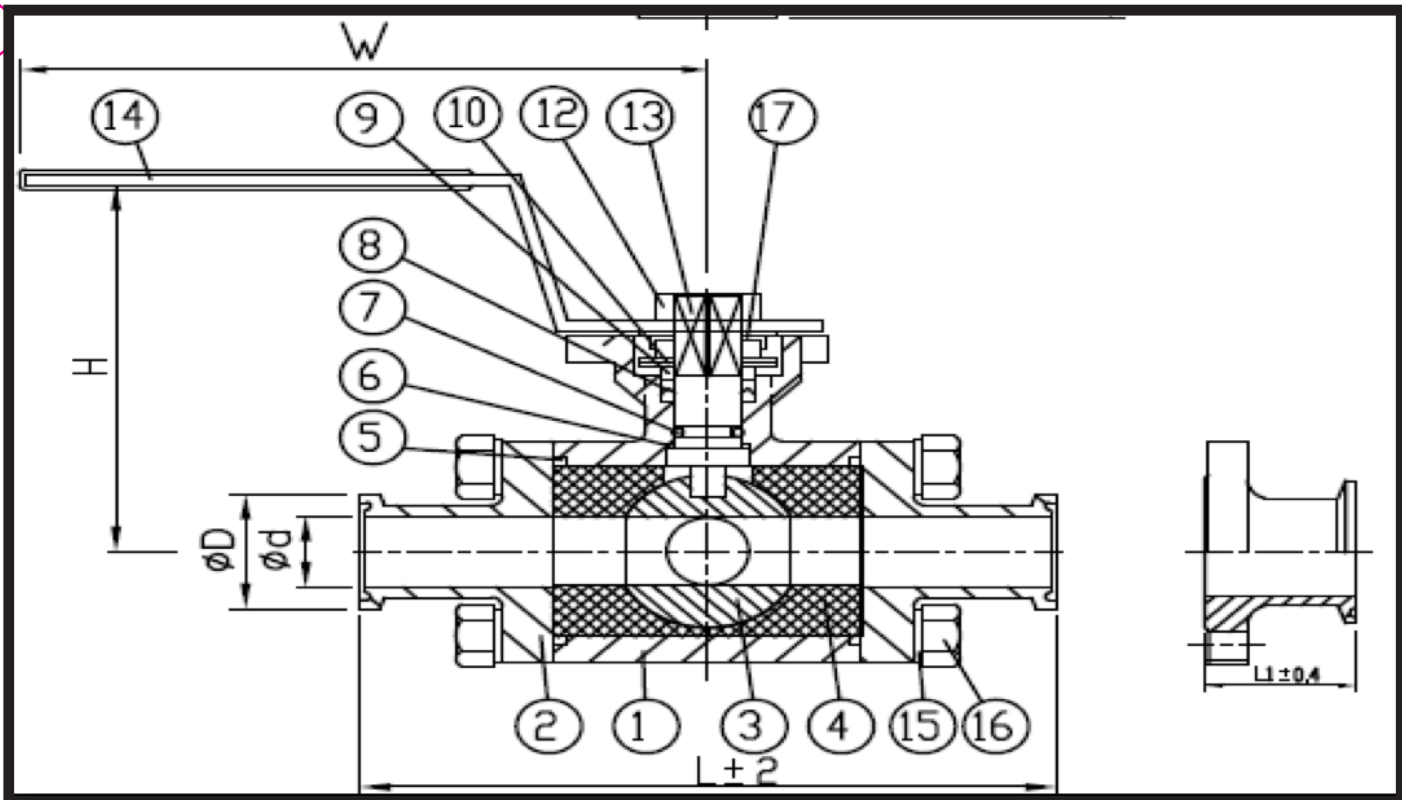
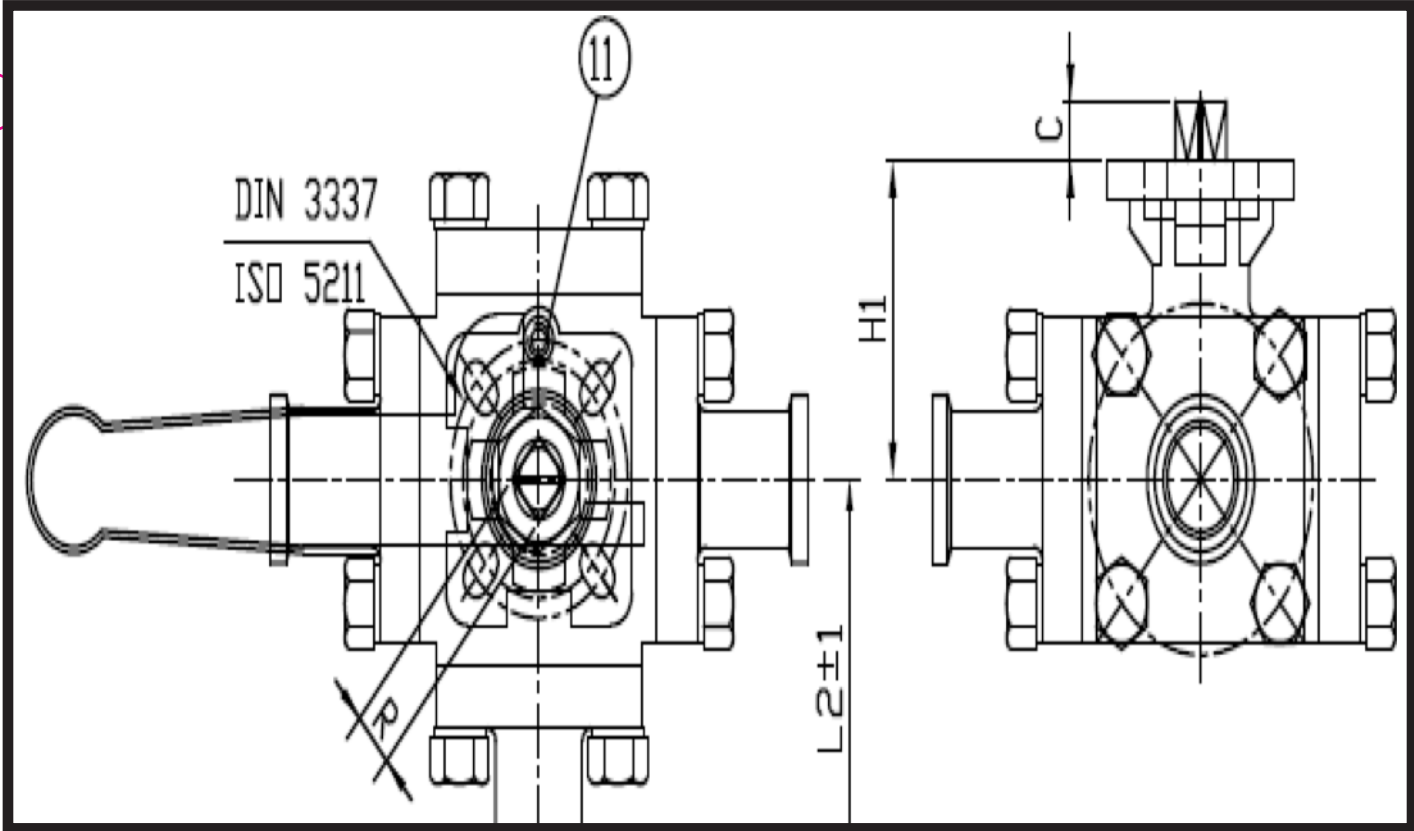
NOTE: The Above Charts refer only to the 4" Three Way Ball Valve.

www.sanitarysolutions.com

Sanitary Solutions Inc. 1-888-909-3569 or 1-855-640-7871

Prices are subject to change without notice; please call before you quote

Three Way Ball Valve Dimensions for (4" SIZE)



No Expediting Charges/Same Day Shipping

www.sanitarysolutions.com

Sanitary Solutions Inc. 1-888-909-3569 or 1-855-640-7871

Prices are subject to change without notice; please call before you quote

Three Way Ball Valve Dimensions for (4" SIZE)

<u>Size</u>	<u>ISO-5211</u>	<u>W</u>	<u>H</u>	<u>H1</u>	<u>C</u>	<u>R</u>	<u>L</u>
4"	F10/F12	15.75	6.142	5.335	0.905	0.886	11.38

<u>SIZE</u>	<u>L1</u>	<u>L2</u>	<u>ϕd</u>	<u>ϕd1</u>	<u>ϕD</u>	<u>Torque In lbs.</u>	<u>Weight L-Port</u>	<u>Weight T-Port</u>
4"	2.914	6.259	3.835	3.149	4.685	1900	90.00	84.00

Note: "L" Port Part Number Example When Ordering:

SSEBVC3L-SIZE-ALLOY

No Expediting Charges/ Same Day Shipping

www.sanitarysolutions.com

Sanitary Solutions Inc. 1-888-909-3569 or 1-855-640-7871

Prices are subject to change without notice; please call before you quote