

Tank Pressure-Vacuum Relief Valve



Features of the Tank Pressure-Vacuum Relief Valve:

Alloy: T304

Size: 1.5" & 2" (in stock)

Finish: Polish to a 32Ra

Vacuum: Factory set at 0.15 psi.

Pressure: Factory preset at 15 psi.

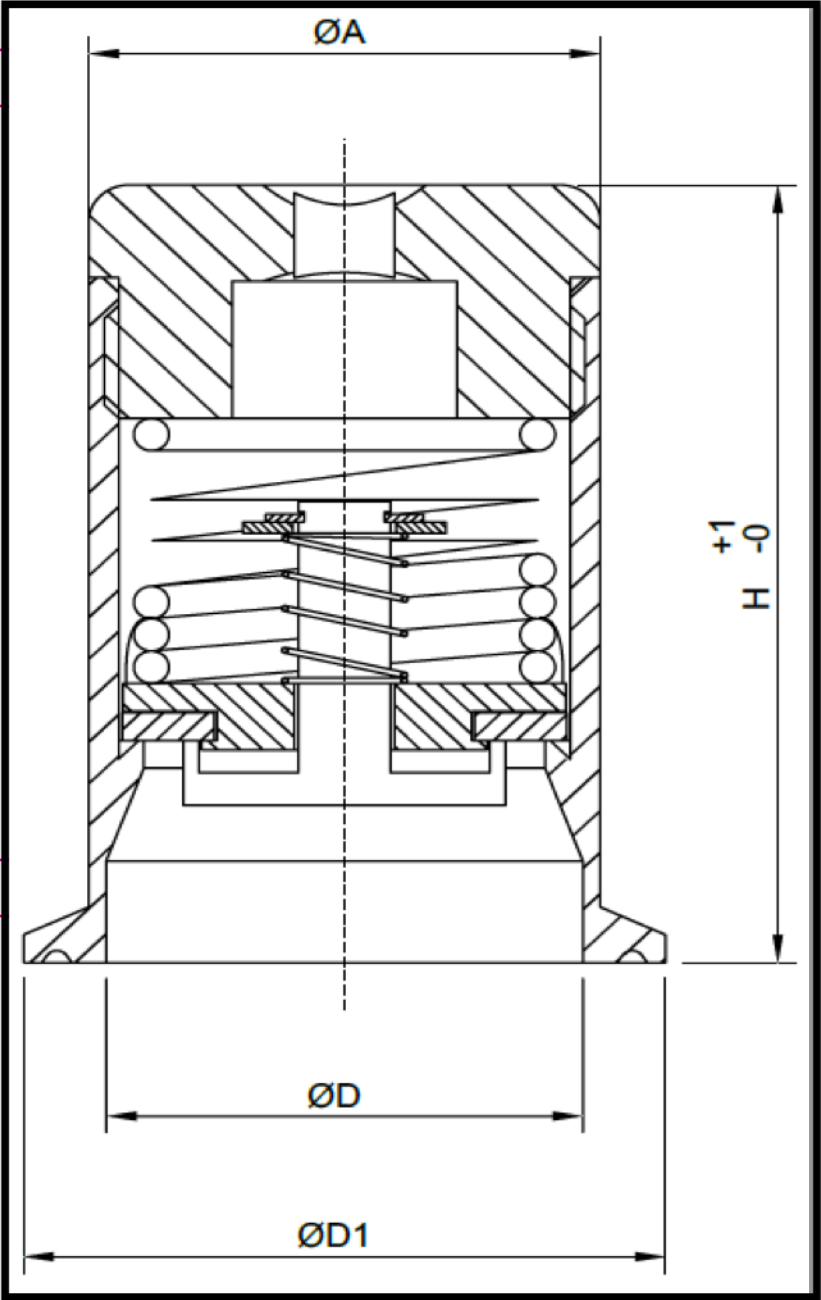
Note: This valve is sealed and can't be opened for safety reasons.

www.sanitarysolutions.com

Sanitary Solutions Inc. 1-888-909-3569 or 1-855-640-7871

Prices are subject to change without notice; please call before you quote

Tank Pressure-Vacuum Relief Valve Dimensions



**Tank Pressure-Vacuum Relief Valve
Part Number:
SSPVRV-Size-304**

<u>SIZE</u>	<u>A</u>	<u>D</u>	<u>D1</u>	<u>H</u>	<u>Weight</u>
1.5"	1.730	1.530	1.990	3.310	1.10
2"	2.010	1.970	2.520	3.310	1.50

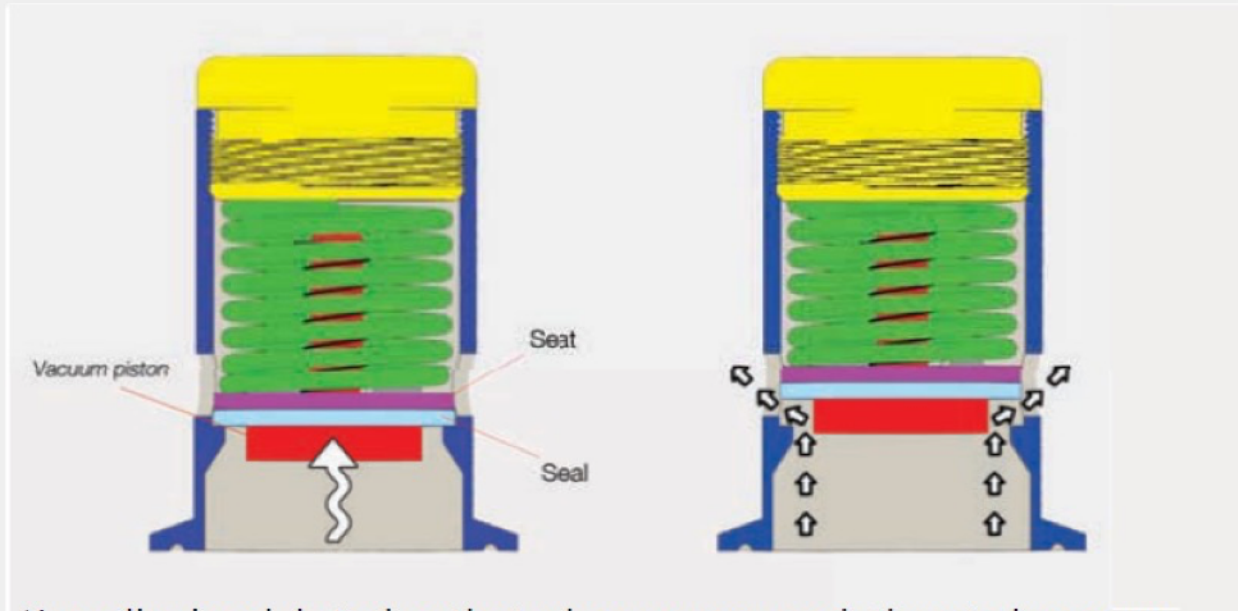
www.sanitarysolutions.com

Sanitary Solutions Inc. 1-888-909-3569 or 1-855-640-7871

Prices are subject to change without notice; please call before you quote

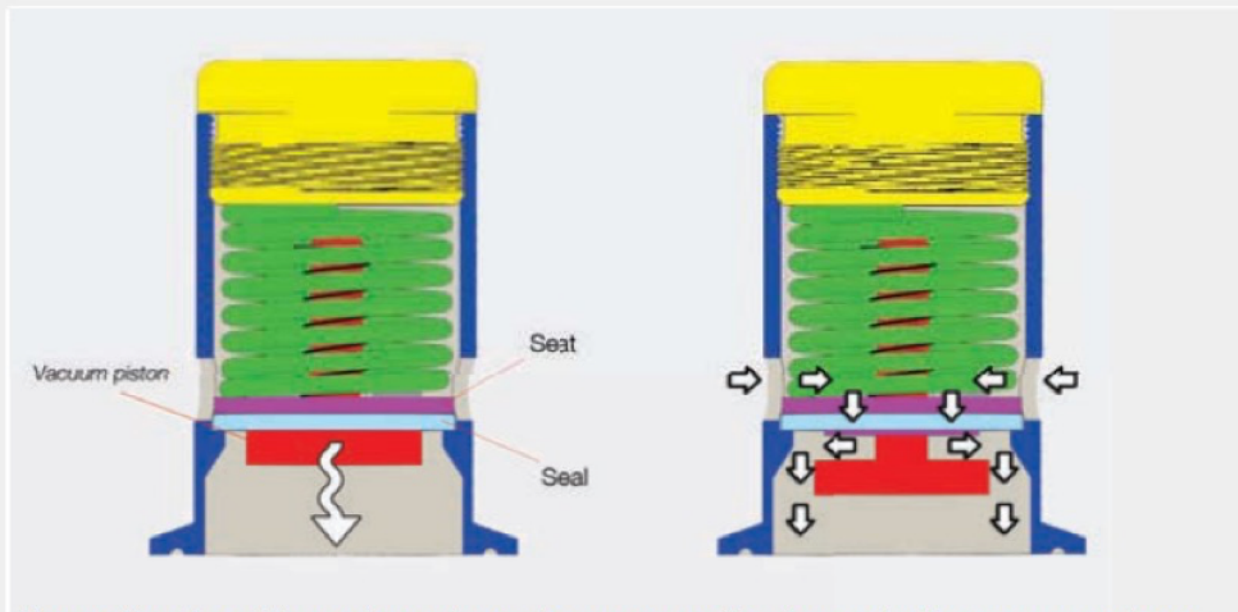
Tank Valve representation under Excessive Pressure or Vacuum

Excessive Pressure



Normally closed, but when the tank pressure exceeds the rated pressure, the valve automatically opens to vent air out.

Vacuum



Normally closed, but when there is a vacuum in the tank, the vacuum piston opens automatically, drawing air into the tank. Thus, keeping pressure balance inside and outside the tank

www.sanitarysolutions.com

Sanitary Solutions Inc. 1-888-909-3569 or 1-855-640-7871

Prices are subject to change without notice; please call before you quote