

T304 Tank Vent



Features:

Alloy: T304

Pressure: Preset at the Factory @ 1 psi.

Vacuum: Preset at the factory @ 0.09 psi.

Seals: EPDM Bushing: POM

Gas Inlet: 1/2 NPT (unplugged)

2" Flow Capacity: 240 gpm

3" Flow Capacity: 540 gpm

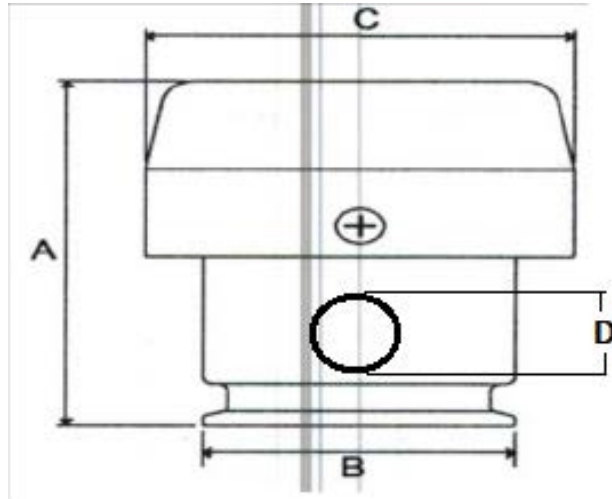
Temperature Range: 60°-- 295°F

www.sanitarysolutions.com

Sanitary Solutions Inc. 1-888-909-3569 or 1-855-640-7871

Prices are subject to change without notice; please call before you quote

T304 Tank Vent Dimensions



<u>SIZE</u>	<u>A</u>	<u>B</u>	<u>C</u>	<u>D (Inlet)</u>	<u>Weight</u>
2"	4.780	2.515	3.500	1/2" NPT	2.80
3"	4.156	3.584	4.500	1/2" NPT	4.50

So, what is a tank vent or tank relief valve and how does it work? The Sanitary Solutions Tank Vent or Relief Valve works in the following way-- From the **Vacuum side**, when the valve is normally closed and there is vacuum in the tank, the vacuum piston inside the valve opens automatically and draws air into the tank. In return, this keeps the pressure inside and outside the tank balanced. From the **Pressure side**, when the valve is normally closed, and the tank pressure exceeds the rated pressure which on the outside of the valve, the valve automatically opens and vents air to atmosphere.

Where do I position and install this valve? As for installation of the clamp style Tank Pressure and Vacuum Relief Valve, position the valve on the process line and tighten the nut or fasten the clamp according to the fastening system selected and if you are using the clamp style it is recommended to use a clamp gasket and tighten the wing nut of the Heavy Duty Single Pin Clamp to 25 inch pounds of torque.

www.sanitarysolutions.com

Sanitary Solutions Inc. 1-888-909-3569 or 1-855-640-7871

Prices are subject to change without notice; please call before you quote