

Spring Loaded Check Valve



Size, Alloy & Heat Number

Spring Loaded Check Valve



Capped & Bagged for Protection

Sanitary Solutions stocks T316L, 1/2" — 6" Spring Loaded Check Valves. Our 1"- 4" check valves carry 3-A certifications. Our Spring Loaded Check Valve is designed to be used when flow in both directions create a problem.

Spring Loaded Check Valves open when pressure below the valve seat is greater than above the valve seat. As the pressure equalizes, the valve closes.

Sanitary Solutions spring loaded check valves have standardized on Viton® Seats/ Seals, full flow plate, and can be serviced in the field easily.

NOTE: When free-draining is required, the Sanitary Solutions check valve must be mounted vertically.

Note: Sanitary Solutions Spring-Loaded Check Valve Part Number Example:

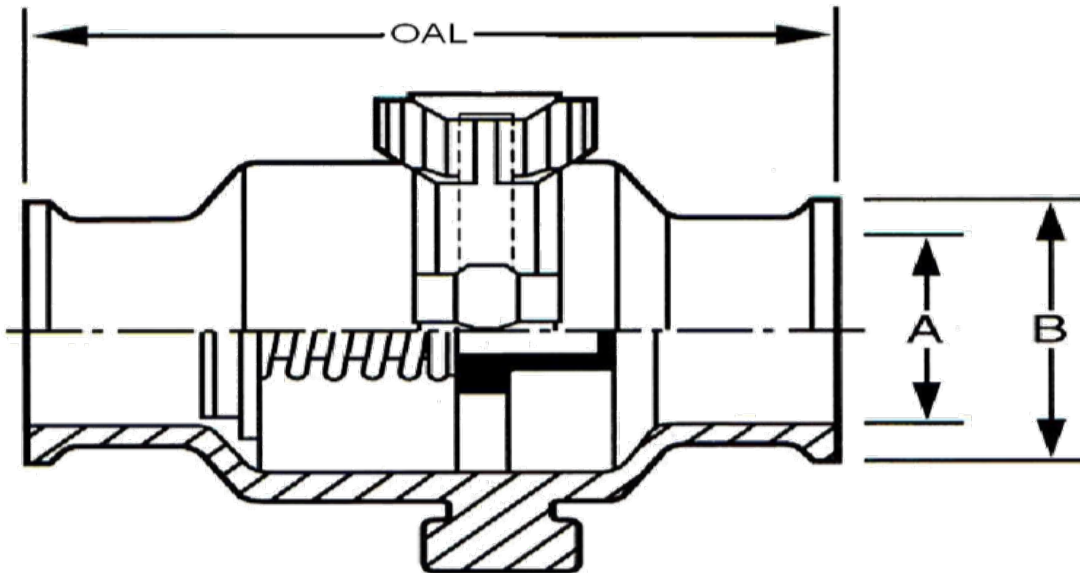
SS46CV-SIZE-316L

www.sanitarysolutions.com

Sanitary Solutions Inc. 1-888-909-3569 or 1-855-640-7871

Prices are subject to change without notice; please call before you quote

Clamp Check Valve Product Specifications



Part Number	SIZE	A	B	OAL	Seat Material	Operating Temperature	Cracking Pressure
SS46CV-0.50-316L	1/2"	0.370	0.984	3.600	VITON	15° to 195°F	2.6 PSI
SS46CV-0.75-316L	3/4"	0.620	0.984	3.600	VITON	15° to 195°F	2.6 PSI
SS46CV-1- 316L	1"	0.870	1.988	4.000	VITON	15° to 195°F	2.6 PSI
SS46CV-1.5- 316L	1.5"	1.370	1.988	4.000	VITON	15° to 195°F	1.0 PSI
SS46CV-2- 316L	2"	1.870	2.519	4.000	VITON	15° to 195°F	1.6 PSI
SS46CV-2.5- 316L	2.5"	2.370	3.051	4.000	VITON	15° to 195°F	0.9 PSI
SS46CV-3- 316L	3"	2.870	3.582	4.000	VITON	15° to 195°F	0.6 PSI
SS46CV-4- 316L	4"	3.834	4.685	5.100	VITON	15° to 195°F	0.5 PSI
SS45CV-6- 316L	6"	5.687	6.625	10.12	VITON	15° to 195°F	0.5 PSI

FEATURES

15°F to 195°F: Operating Temperature
145 PSI: Maximum Operating Pressure
Gasket Meets 3-A Specifications
Viton® Seats & Seals
Field Serviceable

Repair Kits Consist of: (1) each:

Flow Plate, Stem, SS Spring,
Viton® Body Gasket

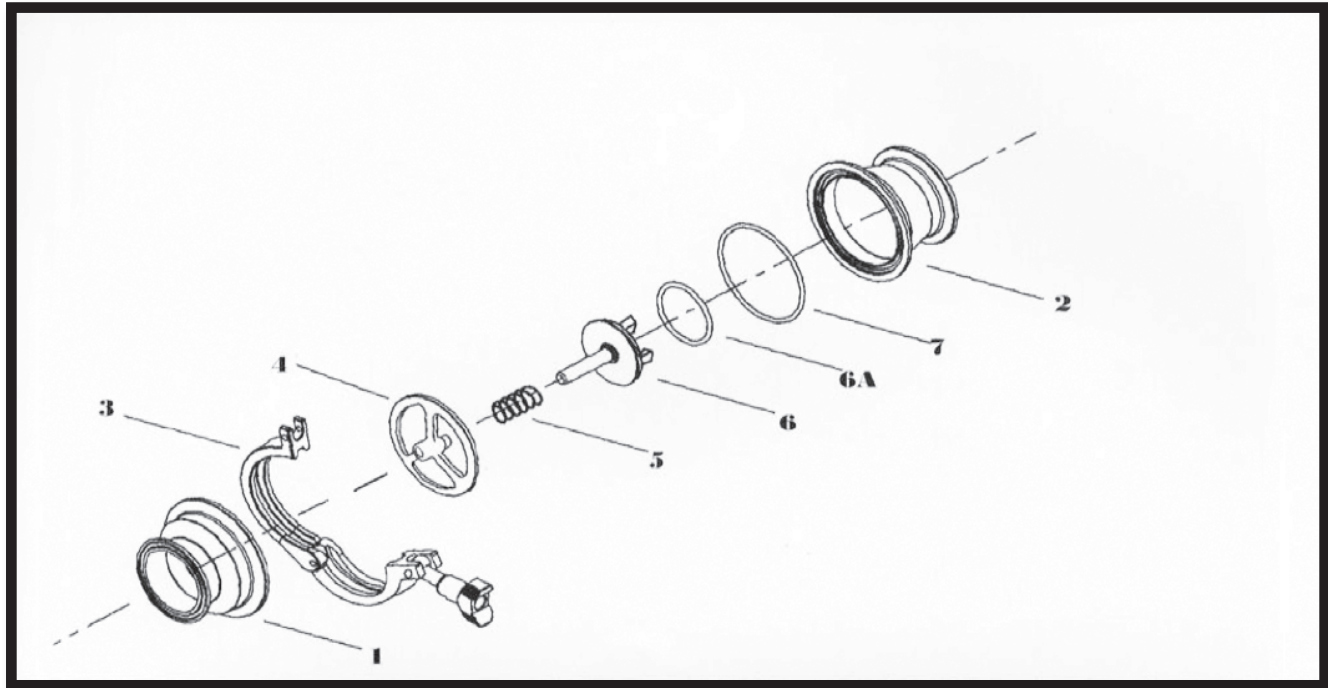
Repair Kit Part #
SS46CV-RK-Size

www.sanitarysolutions.com

Sanitary Solutions Inc. 1-888-909-3569 or 1-855-640-7871

Prices are subject to change without notice; please call before you quote

SS45 CV Clamp Check Valve Product Breakdown



<u>Item #</u>	<u>Description</u>	<u>Material</u>	<u>Qty.</u>
1	Upper Body Housing	CF8M/T316L	1
2	Lower Body Housing	CF8M/T316L	1
3	Single Pin Clamp	304	1
4	Flow Plate	CF8M/T316L	1
5	Spring	304	1
6	Stem	CF8M/T316L	1
6A	Stem O-Ring	Viton®	1
7	Body Gasket	Viton®	1

www.sanitarysolutions.com

Sanitary Solutions Inc. 1-888-909-3569 or 1-855-640-7871

Prices are subject to change without notice; please call before you quote