

## Sanitary Two- Piece Y-Ball Check Valve

1.5"—4" Sizes with Buna, Teflon or Viton Ball



### Features:

**IN STOCK** Sizes: 1.5", 2", 2.5", 3", 4"

Temperature Range: 15°F to 195°F

Max. Operating Pressure: 145 PSI

No Special Tools

### Repair Kits Consist of: (1) each:

**Buna Ball & EPDM Gasket**

**Teflon®, Viton® Ball**

Repair Kit Part #

**SSYBCV-RK-Size**

**Note: Sanitary Solutions Two Way Y-Ball  
Part Number Example:**

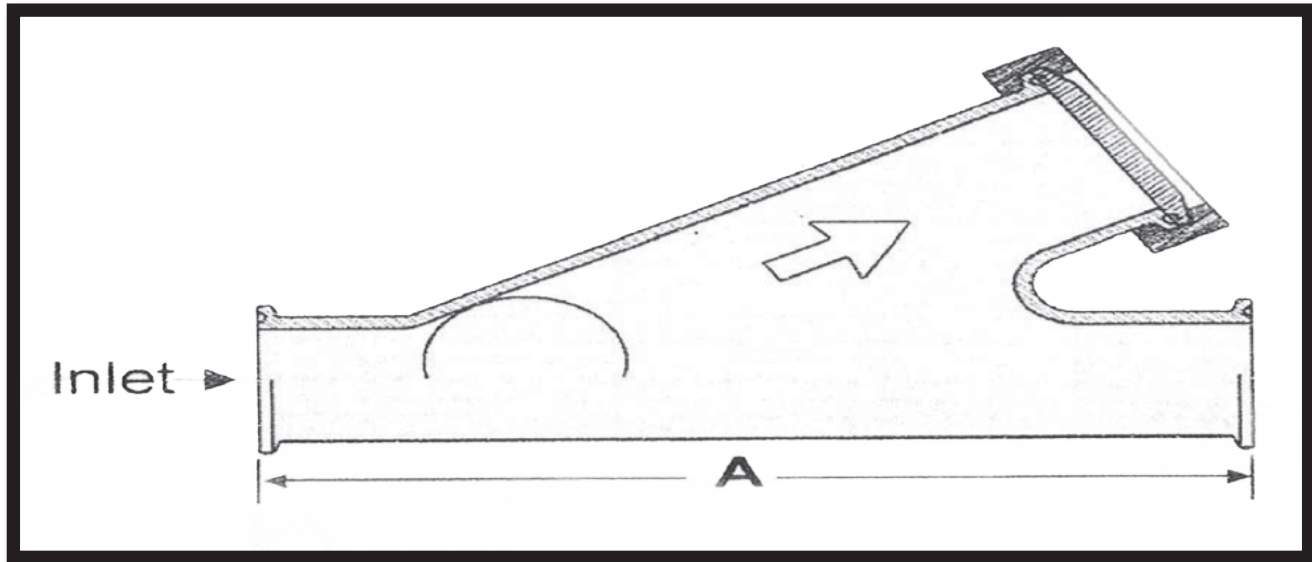
**SSYBCV-SIZE-316L**

[www.sanitarysolutions.com](http://www.sanitarysolutions.com)

Sanitary Solutions Inc. 1-888-909-3569 or 1-855-640-7871

Prices are subject to change without notice; please call before you quote

# Sanitary Two Piece Y-Ball Check Valve Product Specifications



<b>Tube OD (size)</b>	<b>A</b>	<b>Weight</b>	<b>Y-Ball Check Valve Size</b>	<b>Air Blow Check Valve Size</b>
1.5"	8.625"	3.10	1.5"	2"
2"	10.45"	3.33	2"	2.5"
2.5"	11.55"	7.75	2.5"	4"
3"	14.60	10.25	3"	3"
4"	20.25"	42.10	4"	6"

Sanitary Solutions Y-Ball Check Valves are preferred to be used in vertical applications where product flows bottom to top to gravity seat the ball. For horizontal installations, the curved offset must be upright and perpendicular to the plane of the pipeline for proper seating and free draining.

**Arrows on Valve show Flow Direction for proper alignment.**

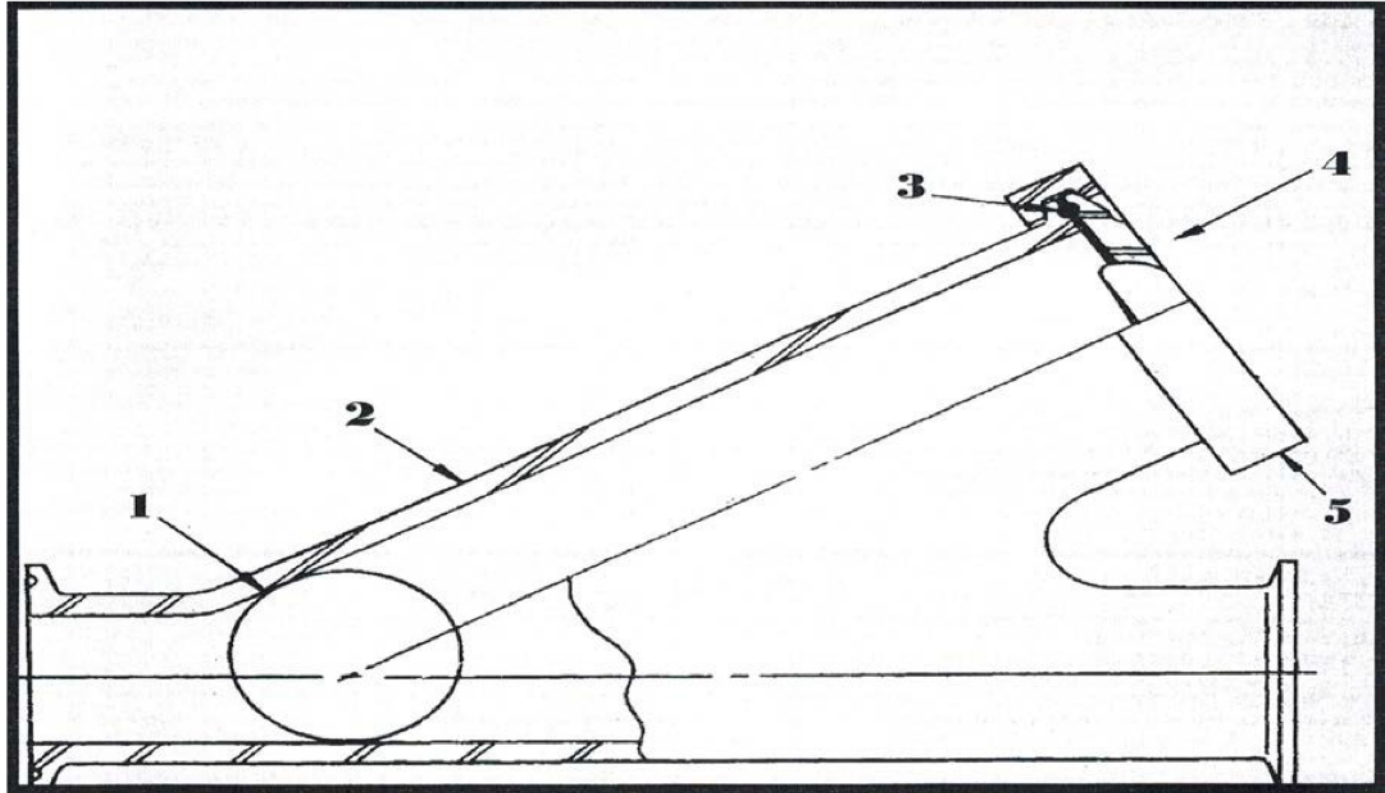
**No Expediting Charges/Same Day Shipping**

[www.sanitarysolutions.com](http://www.sanitarysolutions.com)

Sanitary Solutions Inc. 1-888-909-3569 or 1-855-640-7871

Prices are subject to change without notice; please call before you quote

# Sanitary Two Piece Y-Ball Check Valve Product Specifications



<b><u>Item #</u></b>	<b><u>Description</u></b>	<b><u>Material</u></b>	<b><u>Quantity</u></b>
<b>1</b>	<b>Ball</b>	<b>PTFE</b> (Standard)	<b>1</b>
<b>2</b>	<b>Valve Body</b>	<b>T316L</b>	<b>1</b>
<b>3</b>	<b>Gasket</b>	<b>EPDM</b>	<b>1</b>
<b>4</b>	<b>End Cap</b>	<b>T316L</b>	<b>1</b>
<b>5</b>	<b>Clamp</b>	<b>T304</b>	<b>1</b>

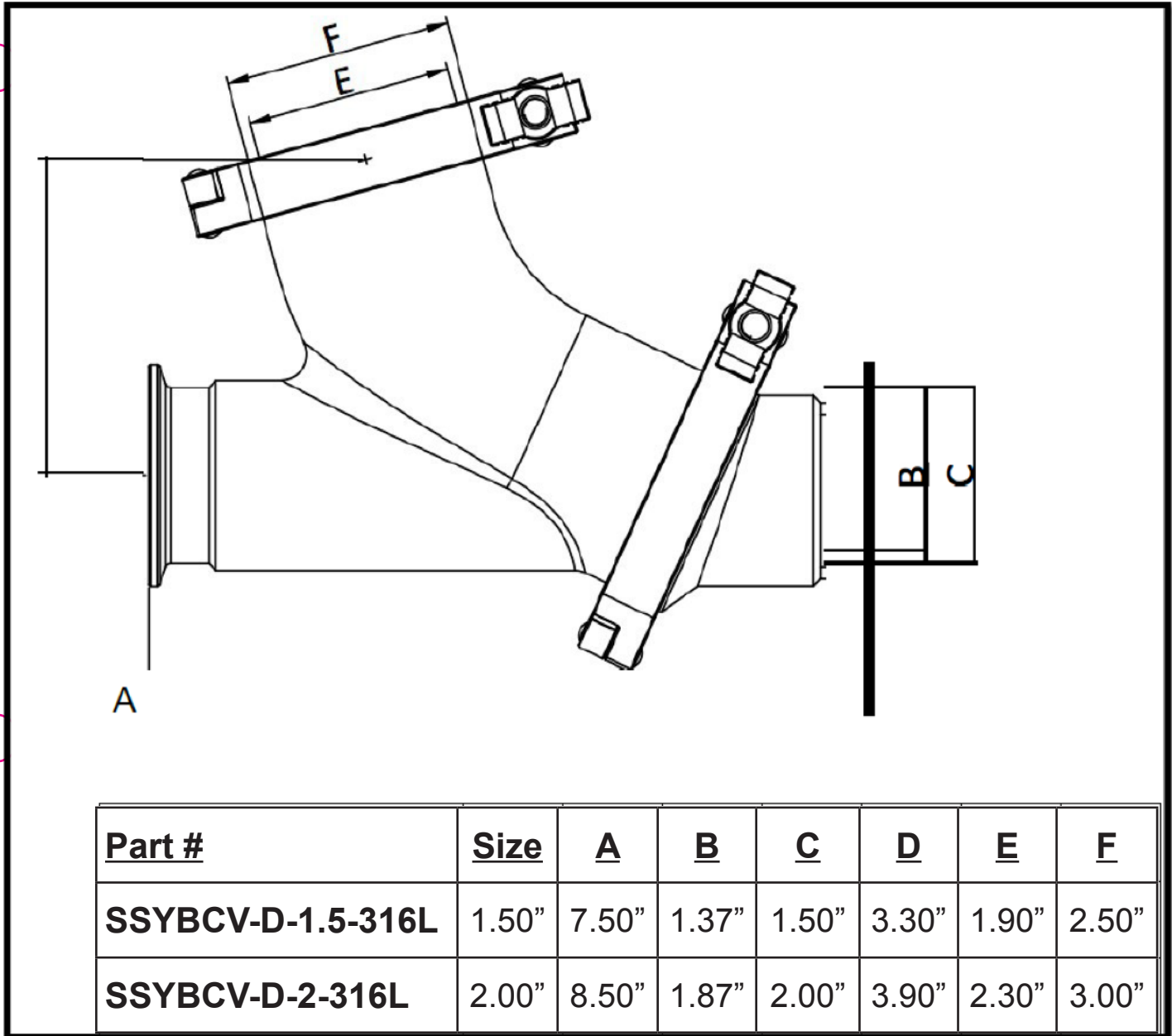
**Note: We offer a Teflon ball as a standard and a Buna or Viton Ball to meet your application with sizes up to 4”.**

[www.sanitarysolutions.com](http://www.sanitarysolutions.com)

Sanitary Solutions Inc. 1-888-909-3569 or 1-855-640-7871

Prices are subject to change without notice; please call before you quote

## Sanitary Three Piece Y-Ball Dimensions



### **Features:**

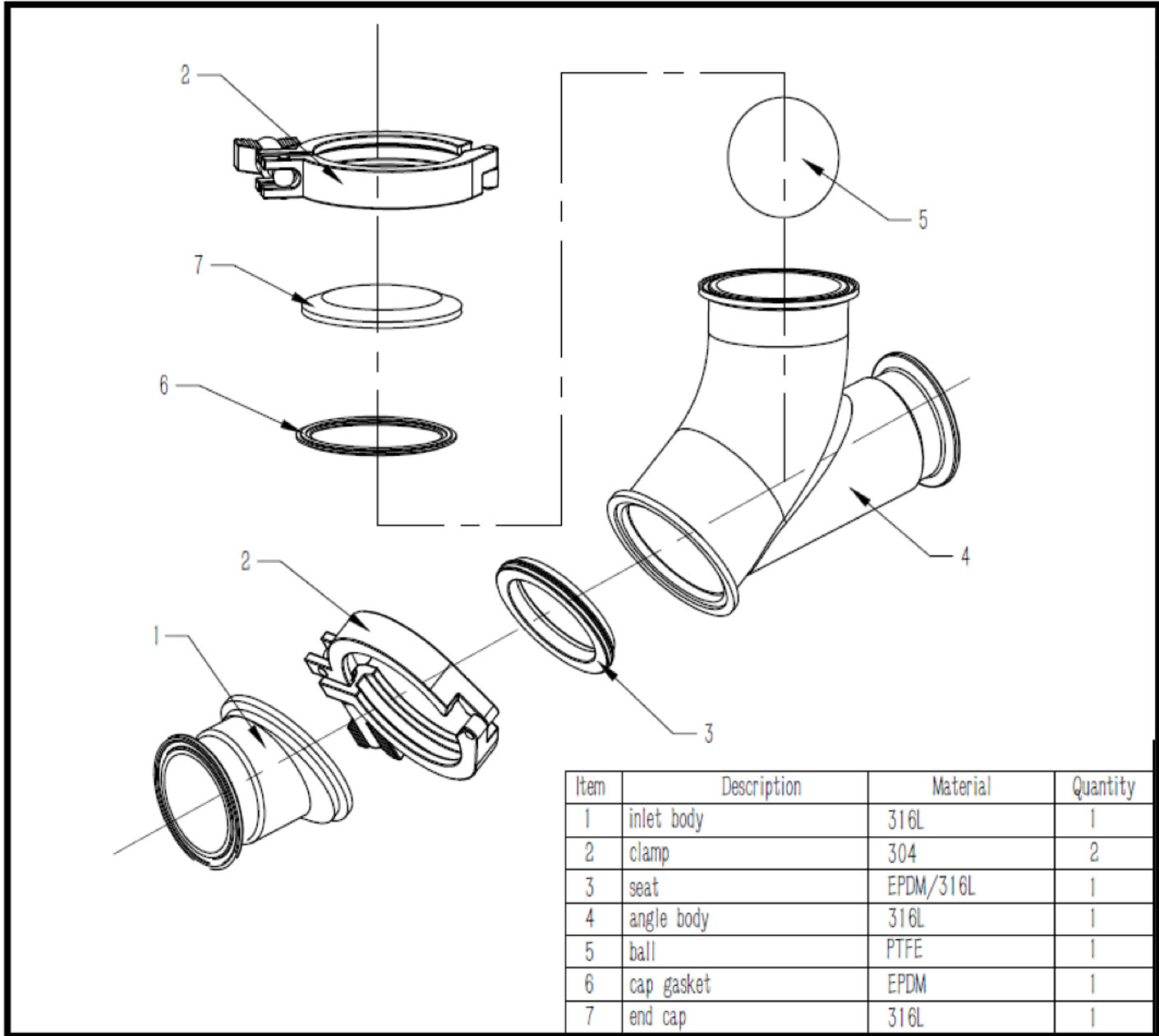
- 1.5" & 2" Sizes are in Stock**
- Polished ID & OD to 3-A standards**
- No special tools, easy cleaning**
- Replace seat and not entire valve**
- PTFE BALL for better abrasion/heat resistance**

[www.sanitarysolutions.com](http://www.sanitarysolutions.com)

Sanitary Solutions Inc. 1-888-909-3569 or 1-855-640-7871

Prices are subject to change without notice; please call before you quote

## Sanitary Three Piece Y-Ball Material List



**Sanitary Solutions Repair Kit:  
EPDM Gasket & Orifice  
Teflon Ball**

**Note: Sanitary Three Piece Y-Ball Part  
Number Example:**

**SSYBCVD-Size-316L**

[www.sanitarysolutions.com](http://www.sanitarysolutions.com)

Sanitary Solutions Inc. 1-888-909-3569 or 1-855-640-7871

Prices are subject to change without notice; please call before you quote