



SANITARY SOLUTIONS^{INC.}

Bulldog Fittings/Valves...Bulldog Tough.

Sanitary Solutions Schedule 5, 10, 40 Pipe to Tube Fittings



Sanitary Solutions Schedule 5, 10, 40 various Fittings are:

Sanitary Solutions Schedule 5, 10, 40 Fittings Stocking Alloys: T304 or T316L

Sanitary Solutions Schedule 5, 10, 40 Fittings Sizes: 1" – 8" OD Tube x Pipe

Note: OD Tube and Pipe Sizes do not interchange!

Schedule 5 x Tube OD Fittings Part Number Breakdown:

<u>SS</u>	<u>Part Number</u>	<u>Size</u>	<u>Alloy</u>
Sanitary Solutions	14WMV	2"	304 or 316L
	V = Schedule 5 Pipe		

Schedule 10 x Tube OD Fittings Part Number Breakdown:

<u>SS</u>	<u>Part Number</u>	<u>Size</u>	<u>Alloy</u>
Sanitary Solutions	14WMX	2"	304 or 316L
	X = Schedule 10 Pipe		

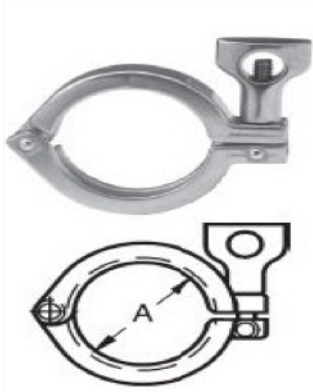
Schedule 40 x Tube OD Fittings Part Number Breakdown:

<u>SS</u>	<u>Part Number</u>	<u>Size</u>	<u>Alloy</u>
Sanitary Solutions	14WMZ	2"	304 or 316L
	Z = Schedule 40 Pipe		

www.sanitarysolutions.com

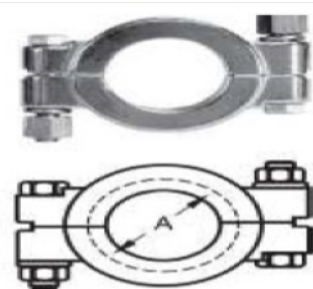
Sanitary Solutions Inc. 1-888-909-3569 or 1-855-640-7871

Prices are subject to change without notice; please call before you quote



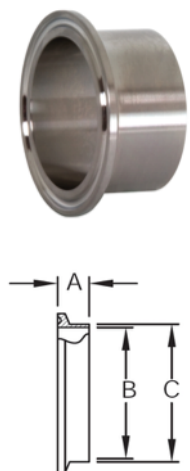
SS13MHMV---Schedule 5 Heavy Duty <i>Single</i> Pin Clamp, 304				
Pipe (Size)	A	Part Number 304	Weight	SPR @ 70° F *
1"	2.122	SS13MHMV-1-304	0.72	500
1.5"	2.654	SS13MHMV-1.5-304	0.72	450
2"	3.185	SS13MHMV-2-304	0.83	400
2.5"	3.717	SS13MHMV-2.5-304	1.05	350
3"	4.263	SS13MHMV-3-304	1.22	250
4"	5.263	SS13MHMV-4-304	2.72	150
6"	7.700	SS13MHMV-6-304	3.33	100
8"	9.865	SS13MHMV-8-304	5.25	100

** Tighten Wing Nut to 25 in. lb. of torque*



SS13MHPV---Schedule 5 Heavy Duty Bolted Clamp, 304				
Pipe (Size)	A	Part Number 304	Weight	SPR @ 70° F *
1"	2.046	SS13MHPV-1-304	0.86	750
1.5"	2.578	SS13MHPV-1.5-304	0.86	500
2"	3.110	SS13MHPV-2-304	0.97	500
2.5"	3.460	SS13MHPV-2.5-304	1.12	500

** Tighten Bronze Nut to 20 Ft. lb. of torque*

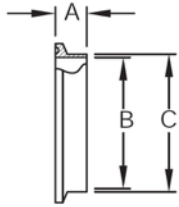



SS14WMV--- <i>Schedule 5</i> Pipe Short-Weld Ferrule					
Pipe (Size)	A	B ID	C OD	Weight	Part Number 316L
1"	0.500	1.185	1.315	0.22	SS14WMV-1-316L
1.5"	0.500	1.770	1.900	0.22	SS14WMV-1.5-316L
2"	0.500	2.245	2.375	0.26	SS14WMV-2-316L
2.5"	0.500	2.709	2.875	0.33	SS14WMV-2.5-316L
3"	0.500	3.334	3.500	0.57	SS14WMV-3-316L
4"	0.625	4.334	4.500	0.42	SS14WMV-4-316L
6"	0.875	6.407	6.625	1.25	SS14WMV-6-316L NEW!
8"	0.875	8.625	8.407	2.00	SS14WMV-8-316L NEW!

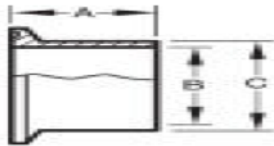
www.sanitarysolutions.com

Sanitary Solutions Inc. 1-888-909-3569 or 1-855-640-7871

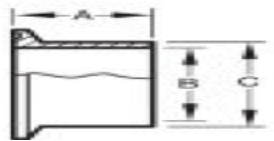
Prices are subject to change without notice; please call before you quote




SS14WMX--- <i>Schedule 10 Pipe Short Weld Ferrule</i>					
Pipe (Size)	A	B	C	Weight	Part Number 316L 
1"	0.500	1.097	1.315	0.22	SS14WMX-1-316L
1.5"	0.500	1.682	1.900	0.22	SS14WMX-1.5-316L
2"	0.500	2.157	2.375	0.26	SS14WMX-2-316L
2.5"	0.500	2.635	2.875	0.33	SS14WMX-2.5-316L
3"	0.500	3.260	3.500	0.57	SS14WMX-3-316L
4"	0.625	4.260	4.500	0.42	SS14WMX-4-316L
6"	0.875	6.357	6.625	1.25	SS14WMX-6-316L NEW!
8"	0.875	8.329	8.625	2.00	SS14WMX-8-316L NEW!



SSL14AM7V--- <i>Schedule 5 Pipe Long-Weld Ferrule</i>					
Pipe (Size)	A	B	C	Weight	Part Number 316L
1"	1.125	1.185	1.315	0.22	SSL14AM7V-1-316L
1.5"	1.125	1.770	1.900	0.22	SSL14AM7V-1.5-316L
2"	1.125	2.245	2.375	0.26	SSL14AM7V-2-316L
2.5"	1.125	2.709	2.875	0.33	SSL14AM7V-2.5-316L
3"	1.125	3.334	3.500	0.57	SSL14AM7V-3-316L
4"	1.125	4.334	4.500	0.42	SSL14AM7V-4-316L
6"	1.500	6.407	6.625	1.25	SSL14AM7V-6-316L



SSL14AM7X--- <i>Schedule 10 Pipe Long-Weld Ferrule</i>					
Pipe (Size)	A	B	C	Weight	Part Number 316L 
1"	1.125	1.097	1.315	0.22	SSL14AM7V-1-316L
1.5"	1.125	1.682	1.900	0.22	SSL14AM7V-1.5-316L
2"	1.125	2.157	2.375	0.26	SSL14AM7V-2-316L
2.5"	1.125	2.635	2.875	0.33	SSL14AM7V-2.5-316L
3"	1.125	3.260	3.500	0.57	SSL14AM7V-3-316L
4"	1.125	4.260	4.500	0.42	SSL14AM7V-4-316L
6"	1.500	6.357	6.625	1.25	SSL14AM7V-6-316L NEW!

www.sanitarysolutions.com

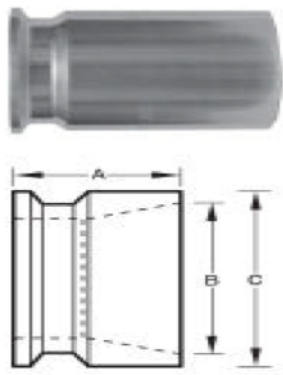
Sanitary Solutions Inc. 1-888-909-3569 or 1-855-640-7871

Prices are subject to change without notice; please call before you quote



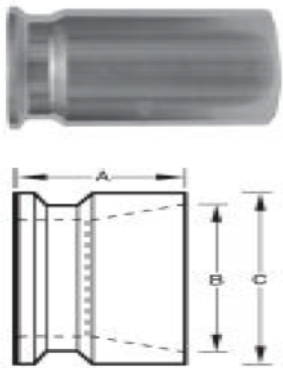
SS16AMV-- Schedule 5 Pipe End Cap

Pipe (Size)	A	B	Weight	Part Number 316L
1"	0.250	1.984	0.31	SS16AMV-1-316L
1.5"	0.250	2.516	0.31	SS16AMV-1.5-316L
2"	0.250	3.047	0.44	SS16AMV-2-316L
2.5"	0.250	3.579	0.90	SS16AMV-2.5-316L
3"	0.313	4.125	1.25	SS16AMV-3-316L
4"	0.313	5.125	1.85	SS16AMV-4-316L
6"	0.437	7.195	3.95	SS16AMV-6-316L
8"	0.437	9.200	7.06	SS16AMV-8-316L
10"	0.500	11.32	10.00	SS16AMV-10-316L



SS19MPV--- Clamp x Schedule 5 Pipe Butt Weld Adapter

Pipe (Size)	A	B	C	Wall Thickness	Part Number 316L
1/2"	1.125	0.710	0.840	0.065	SS19MPV-0.50-316L
3/4"	1.125	0.920	1.050	0.065	SS19MPV-0.75-316L
1"	1.125	1.185	1.315	0.065	SS19MPV-1-316L
1.5"	1.125	1.770	1.900	0.065	SS19MPV-1.5-316L
2"	1.125	2.245	2.375	0.065	SS19MPV-2-316L
2.5"	1.125	2.709	2.875	0.083	SS19MPV-2.5-316L
3"	1.125	3.334	3.500	0.083	SS19MPV-3-316L
4"	1.125	4.334	4.500	0.109	SS19MPV-4-316L
6"	1.125	6.407	6.625	0.109	SS19MPV-6-316L



SS19MPX--- Clamp x Schedule 10 Pipe Butt Weld Adapter

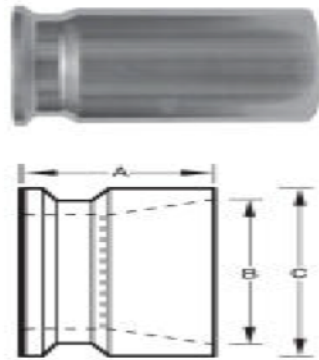
Pipe (Size)	A	B	C	Wall Thickness	Part Number 316L	Weight
1/2"	1.125	0.674	0.840	0.083	SS19MPX-0.50-316L	0.10
3/4"	1.125	0.884	1.050	0.083	SS19MPX-0.75-316L	0.20
1"	1.125	1.097	1.315	0.109	SS19MPX-1-316L	0.20
1.5"	1.125	1.682	1.900	0.109	SS19MPX-1.5-316L	0.30
2"	1.125	2.157	2.375	0.109	SS19MPX-2-316L	0.40
2.5"	1.125	2.635	2.875	0.109	SS19MPX-2.5-316L	0.50
3"	1.125	3.260	3.500	0.109	SS19MPX-3-316L	0.50
4"	1.125	4.260	4.500	0.120	SS19MPX-4-316L	1.00
6"	1.125	6.357	6.625	0.134	SS19MPX-6-316L	2.50

www.sanitarsolutions.com

Sanitary Solutions Inc. 1-888-909-3569 or 1-855-640-7871

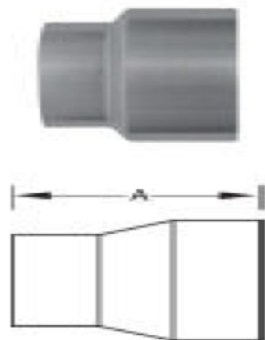
Prices are subject to change without notice; please call before you quote

SS19MPZ--- Clamp x Schedule 40 Pipe Butt weld Adapter



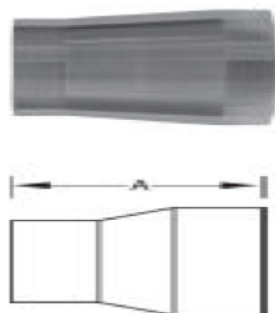
Pipe (Size)	A	B	C	Wall Thickness	Part Number 316L	Weight
1/2"	1.125	0.622	0.840	0.109	SS19MPZ-0.50-316L	0.15
3/4"	1.125	0.824	1.050	0.113	SS19MPZ-0.75-316L	0.27
1"	1.125	1.049	1.315	0.133	SS19MPZ-1-316L	0.27
1.5"	1.125	1.610	1.900	0.145	SS19MPZ-1.5-316L	0.38
2"	1.125	2.067	2.375	0.154	SS19MPZ-2-316L	0.48
2.5"	1.125	2.469	2.875	0.203	SS19MPZ-2.5-316L	0.60
3"	1.125	3.068	3.500	0.216	SS19MPZ-3-316L	0.67
4"	1.125	4.026	4.500	0.237	SS19MPZ-4-316L	1.25
6"	1.125	6.065	6.625	0.280	SS19MPZ-6-316L	3.00

SS19WV--- Tube OD Butt weld x Schedule 5 Pipe Butt weld Adapter



Pipe (Size)	A	Tube OD	Tube Wall Thickness	Pipe ID	Part Number 316L
1"	1.500	1.000	0.065	1.185	SS19WV-1-316L
1.5"	1.500	1.500	0.065	1.770	SS19WV-1.5-316L
2"	2.500	2.000	0.065	2.250	SS19WV-2-3016L
2.5"	3.000	2.500	0.065	2.700	SS19WV-2.5-316L
3"	3.000	3.000	0.065	3.334	SS19WV-3-316L
4"	4.000	4.000	0.083	4.334	SS19WV-4-316L
6"	6.000	6.000	0.109	6.407	SS19WV-6-316L

SS19WX--- Tube OD Butt weld x Schedule 10 Pipe Butt weld Adapter

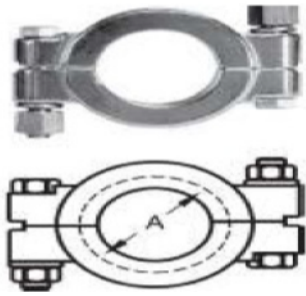


Pipe (Size)	A	Tube	Tube Wall Thickness	Pipe Wall Thickness	Part Number 316L	Weight
1/2"	1.00	1/2"	0.065	0.083	SS19WX-0.5-316L	0.02
3/4"	1.00	3/4"	0.065	0.083	SS19WX-0.75-316L	0.06
1"	2.00	1"	0.065	0.109	SS19WX-1-316L	0.10
1.5"	2.50	1.5"	0.065	0.109	SS19WX-1.5-316L	0.10
2"	2.50	2"	0.065	0.109	SS19WX-2-316L	0.50
2.5"	2.50	2.5"	0.065	0.120	SS19WX-2.5-316L	0.50
3"	2.50	3"	0.065	0.120	SS19WX-3-316L	0.50
4"	3.00	4"	0.083	0.120	SS19WX-4-316L	1.35
6"	3.00	6"	0.109	0.134	SS19WX-6-316L	1.50
8"	3.00	8"	0.120	0.148	SS19WX-8-316L	2.10

www.sanitarysolutions.com

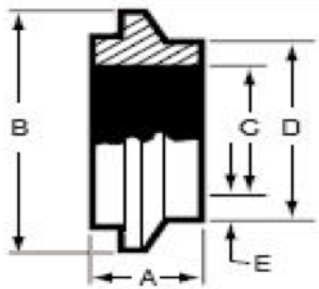
Sanitary Solutions Inc. 1-888-909-3569 or 1-855-640-7871

Prices are subject to change without notice; please call before you quote

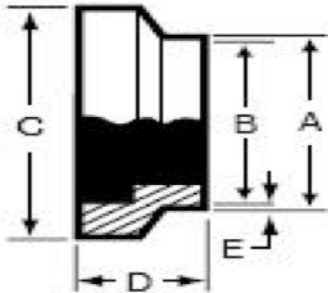


SS13ILBV---Schedule 5 I-Line Bolted Clamp, 304				
Pipe (Size)	A	Weight	Part Number 304	SPR @ 70° F *
3"	2.046	1.12	SS13ILBV-3-304	350
4"	2.578	1.42	SS13ILBV-4-304	300
6"	3.110	2.81	SS13ILBV-6-304	150

Note: 0.5"-2.5" use 1/2 size larger SS13MHM

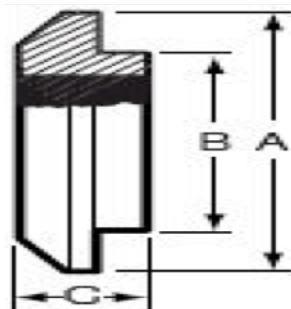


SS14WIV--- Schedule 5 Pipe Short-Weld Male I-Line Ferrule						
Pipe (Size)	A	B	C	D	Part Number 316L	Weight
1"	0.786	1.997	1.185	1.315	SS14WIV-1-316L	0.20
1.5"	0.942	2.642	1.770	1.900	SS14WIV-1.5-316L	0.30
2"	1.130	3.309	2.245	2.375	SS14WIV-2-316L	0.60
2.5"	1.161	3.872	2.709	2.875	SS14WIV-2.5-316L	0.80
3"	1.317	4.872	3.334	3.500	SS14WIV-3-316L	1.50
4"	1.348	5.872	4.334	4.500	SS14WIV-4-316L	1.90
6"	1.005	7.497	6.407	6.625	SS14WIV-6-316L	1.90



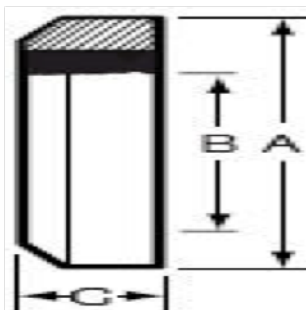
SS15WIV--- Schedule 5 Pipe Short-Weld Female I-Line Ferrule						
Pipe (Size)	A	B	C	D	Part Number 316L	Weight
1"	1.315	1.185	1.997	0.945	SS15WIV-1-316L	0.20
1.5"	1.900	1.770	2.642	1.024	SS15WIV-1.5-316L	0.30
2"	2.375	2.245	3.309	1.142	SS15WIV-2-316L	0.60
2.5"	2.875	2.709	3.872	1.220	SS15WIV-2.5-316L	0.80
3"	3.500	3.334	4.872	1.343	SS15WIV-3-316L	1.50
4"	4.500	4.334	5.872	1.343	SS15WIV-4-316L	1.90
6"	6.625	6.407	7.497	1.343	SS15WIV-6-316L	1.90

SS16AI-14IV-- Schedule 5 Pipe Male I-Line End Cap



Pipe (Size)	A	B	C	Part Number 304	Part Number 316L
1"	2.000	1.756	0.500	SS16AI-14IV-1-304	SS16AI-14IV-1-316L
1.5"	2.648	2.244	0.585	SS16AI-14IV-1.5-304	SS16AI-14IV-1.5-316L
2"	3.317	2.756	0.750	SS16AI-14IV-2-304	SS16AI-14IV-2-316L
2.5"	3.868	3.316	0.750	SS16AI-14IV-2.5-304	SS16AI-14IV-2.5-316L
3"	4.882	4.316	0.750	SS16AI-14IV-3-304	SS16AI-14IV-3-316L
4"	5.582	5.316	0.750	SS16AI-14IV-4-304	SS16AI-14IV-4-316L

SS16AI-15IV-- Schedule 5 Pipe Female I-Line End Cap



Pipe (Size)	A	B	C	Part Number 304	Part Number 316L
1"	2.000	1.756	0.500	SS16AI-15IV-1-304	SS16AI-15IV-1-316L
1.5"	2.648	2.244	0.585	SS16AI-15IV-1.5-304	SS16AI-15IV-1.5-316L
2"	3.317	2.756	0.750	SS16AI-15IV-2-304	SS16AI-15IV-2-316L
2.5"	3.868	3.316	0.750	SS16AI-15IV-2.5-304	SS16AI-15IV-2.5-316L
3"	4.882	4.316	0.750	SS16AI-15IV-3-304	SS16AI-15IV-3-316L
4"	5.582	5.316	0.750	SS16AI-15IV-4-304	SS16AI-15IV-4-316L

www.sanitarysolutions.com

Sanitary Solutions Inc. 1-888-909-3569 or 1-855-640-7871

Prices are subject to change without notice; please call before you quote