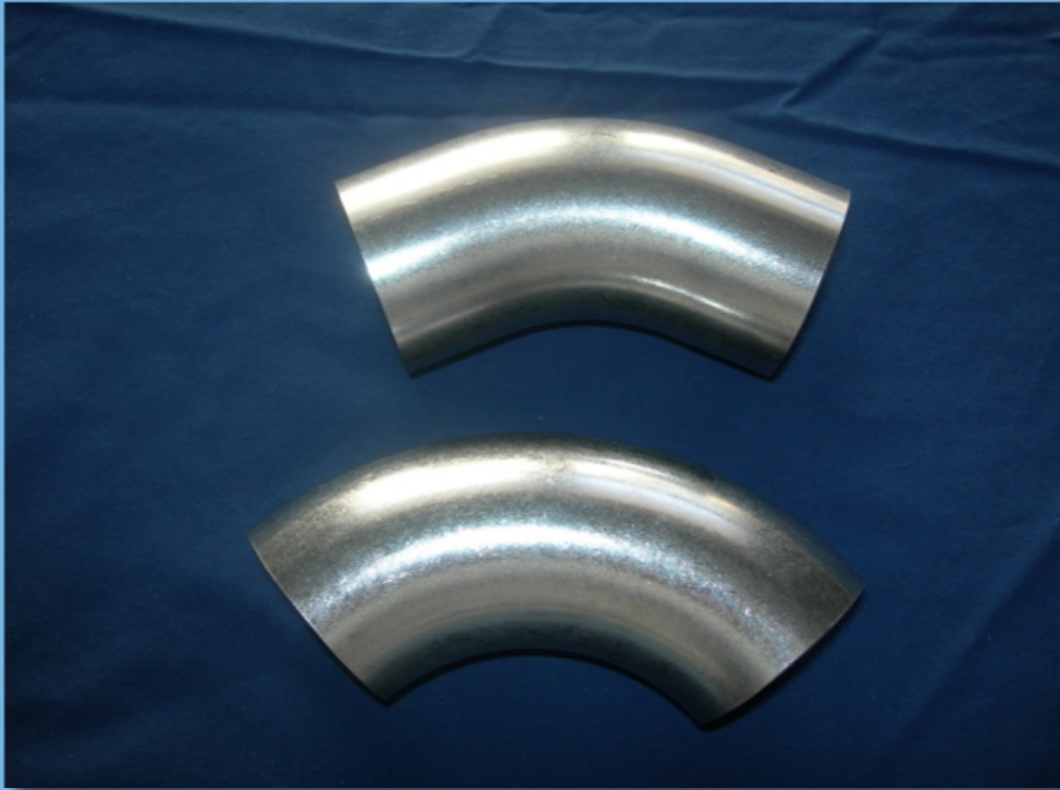




SANITARY SOLUTIONS^{INC.}

Bulldog Fittings/Valves...Bulldog Tough.

Sanitary Solutions Tube O.D. Weld Fittings



Tube OD Weld Fittings Alloys: T304 or T316L

Tube OD Weld Fittings Sizes: 1/2" – 12" OD Tube **Note: OD Tube and Pipe Sizes do not interchange!**

Sanitary Solutions Clamp Fittings Part Number Breakdown:

<u>SS</u>	<u>Part Number</u>	<u>Size</u>	<u>Alloy</u>
Sanitary Solutions	SS16W	2"	304 or 316L

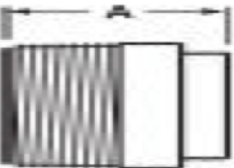
www.sanitarysolutions.com

Sanitary Solutions Inc. 1-888-909-3569 or 1-855-640-7871

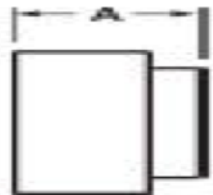
Prices are subject to change without notice; please call before you quote



SS16W-- <u>WELD</u> End Caps				
Tube OD (Size)	A	Weight	Part Number 304	Part Number 316L
1/2"	0.250	0.02	SS16W-0.50-304	SS16W-0.50-316L NEW!
3/4"	0.312	0.04	SS16W-0.75-304	SS16W-0.75-316L NEW!
1"	0.375	0.05	SS16W-1-304	SS16W-1-316L
1.5"	0.562	0.09	SS16W-1.5-304	SS16W-1.5-316L
2"	0.750	0.25	SS16W-2-304	SS16W-2-316L
2.5"	1.000	0.29	SS16W-2.5-304	SS16W-2.5-316L
3"	1.250	0.33	SS16W-3-304	SS16W-3-316L
4"	1.500	0.56	SS16W-4-304	SS16W-4-316L
6"	2.000	1.40	SS16W-6-304	SS16W-6-316L NEW!
8"	2.500	2.40	SS16W-8-304	SS16W-8-316L NEW!
10"	3.000	CALL	SS16W-10-304	SS16W-10-316L
12"	3.000	CALL	SS16W-12-304	SS16W-12-316L



SS19WB--- Weld End x <u>Male NPT Adapter</u> .					
Tube OD (Size)	A	Nominal Wall	Weight	Part Number 304	Part Number 316L
1/2"	1.625	0.065	0.02	SS19WB-0.50-304	SS19WB-0.50-316L NEW!
3/4"	1.625	0.065	0.08	SS19WB-0.75-304	SS19WB-0.75-316L NEW!
1"	1.750	0.065	0.50	SS19WB-1-304	SS19WB-1-316L
1.5"	1.750	0.065	0.60	SS19WB-1.5-304	SS19WB-1.5-316L
2"	1.812	0.065	0.75	SS19WB-2-304	SS19WB-2-316L
2.5"	2.312	0.065	1.20	SS19WB-2.5-304	SS19WB-2.5-316L
3"	2.500	0.065	2.00	SS19WB-3-304	SS19WB-3-316L
4"	2.562	0.083	2.60	SS19WB-4-304	SS19WB-4-316L
6"	3.000	0.109	CALL	SS19WB-6-304	SS19WB-6-316L



SS22WB--- Weld End x <u>Female NPT Adapter</u>					
Tube OD (Size)	A	Nominal Wall	Weight	Part Number 304	Part Number 316L
1/2"	1.250	0.065	0.38	SS22WB-0.50-304	SS22WB-0.50-316L NEW!
3/4"	1.625	0.065	0.43	SS22WB-0.75-304	SS22WB-0.75-316L NEW!
1"	1.125	0.065	0.75	SS22WB-1-304	SS22WB-1-316L
1.5"	1.437	0.065	0.80	SS22WB-1.5-304	SS22WB-1.5-316L
2"	1.437	0.065	1.00	SS22WB-2-304	SS22WB-2-316L
2.5"	1.625	0.065	2.20	SS22WB-2.5-304	SS22WB-2.5-316L
3"	1.812	0.065	3.50	SS22WB-3-304	SS22WB-3-316L
4"	2.000	0.083	5.40	SS22WB-4-304	SS22WB-4-316L

www.sanitarysolutions.com

Sanitary Solutions Inc. 1-888-909-3569 or 1-855-640-7871

Prices are subject to change without notice; please call before you quote

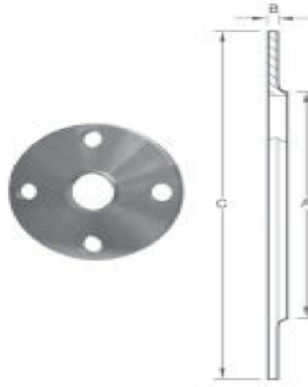
SS38SL-- Tube OD (150 lbs.) Slip on Flange

Tube OD (Size)	A	B	C	# & Dia. Bolt Holes	Weight	Part Number 304	Part Number 316L
1/2"	3.5	0.375	0.563	4/.625	0.90		SS38SL-0.50-316L
3/4"	3.875	0.375	0.813	4/.625	1.30		SS38SL-0.75-316L
1"	4.250	0.375	1.063	4/.625	1.55	SS38SL-1-304	
1.5"	5.000	0.375	1.563	4/.625	2.05	SS38SL-1.5-304	
2"	6.000	0.437	2.063	4/.750	3.05	SS38SL-2-304	
2.5"	7.000	0.437	2.563	4/.750	3.96	SS38SL-2.5-304	
3"	7.500	0.500	3.063	4/.750	4.96	SS38SL-3-304	
4"	9.000	0.562	4.063	8/.750	6.97	SS38SL-4-304	
6"	11.00	0.562	6.063	8/.875	9.48	SS38SL-6-304	NEW!
8"	13.50	0.687	8.063	8/.875	CALL	SS38SL-8-304	



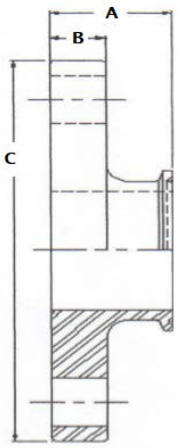
SS38W-- Weld Neck Flange

Tube OD (Size)	A	B	C	# & Dia. Bolt Holes	Weight	Part Number 316L
1"	1.000	0.375	4.250	4/.625	1.55	SS38W-1-316L NEW!
1.5"	1.500	0.375	5.000	4/.625	2.05	SS38W-1.5-316L NEW!
2"	2.000	0.500	6.000	4/.750	3.05	SS38W-2-316L NEW!
2.5"	2.500	0.500	7.000	4/.750	3.96	SS38W-2.5-316L NEW!
3"	3.000	0.500	7.500	4/.750	4.96	SS38W-3-316L NEW!
4"	4.000	0.500	9.000	8/.750	6.97	SS38W-4-316L NEW!
6"	6.000	0.500	11.00	8/.875	9.48	SS38W-6-316L NEW!



SS51-14MP--- Flange x Clamp Adapter, Machine Finish

Tube OD (Size)	A	B	C	# & Dia. Bolt Holes	Weight	Part Number 316L
1/2"	1.50	0.375	0.563	4/.625	CALL	SS51-14MP-0.50-316L
3/4"	1.50	0.375	0.813	4/.625	CALL	SS51-14MP-0.75-316L
1"	1.50	0.375	1.063	4/.625	CALL	SS51-14MP-1-316L
1.5"	1.50	0.375	1.563	4/.625	3.40	SS51-14MP-1.5-316L
2"	1.50	0.437	2.063	4/.750	5.10	SS51-14MP-2-316L
2.5"	2.00	0.437	2.563	4/.750	8.20	SS51-14MP-2.5-316L
3"	2.00	0.500	3.063	4/.750	10.00	SS51-14MP-3-316L
4"	2.50	0.562	4.063	8/.750	CALL	SS51-14MP-4-316L
6"	2.18	0.562	6.063	8/.875	CALL	SS51-14MP-6-316L

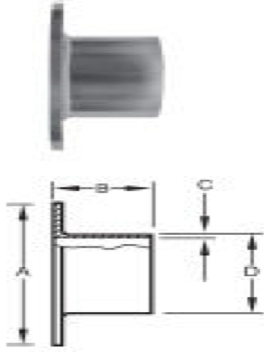


www.sanitarysolutions.com

Sanitary Solutions Inc. 1-888-909-3569 or 1-855-640-7871

Prices are subject to change without notice; please call before you quote

SST14VBA--- Stub End-- Type "A" for Slip on Flange



Tube OD (Size)	<u>A</u>	<u>B</u>	<u>C</u>	<u>D</u>	<u>Weight</u>		Part Number 316L
1/2"	2.000	1.625	0.065	0.500	0.12		SST14VBA-0.50-316L
3/4"	2.000	1.687	0.065	0.750	0.12		SST14VBA-0.75-316L
1"	2.000	1.625	0.065	1.000	0.15		SST14VBA-1-316L
1.5"	2.875	1.750	0.065	1.500	0.23		SST14VBA-1.5-316L
2"	3.625	1.500	0.065	2.000	0.31		SST14VBA-2-316L
2.5"	4.125	2.000	0.065	2.500	0.42		SST14VBA-2.5-316L
3"	5.000	2.250	0.065	3.000	0.72		SST14VBA-3-316L
4"	6.187	2.625	0.083	4.000	1.06		SST14VBA-4-316L
6"	8.500	3.000	0.109	6.000	3.50		SST14VBA-6-316L NEW!
8"	10.625	3.000	0.109	8.000	4.60		SST14VBA-6-316L NEW!
10"	12.750	3.500	0.109	10.000	7.20		SST14VBA-6-316L NEW!