



# Lead Free\* 70LF-100 Series Bronze Ball Valve - NPT

|               |                        |
|---------------|------------------------|
| Job Name:     | Contractor:            |
| Job Location: | P.O. Number:           |
| Engineer:     | Representative:        |
| Tag:          | Wholesale Distributor: |

## DESCRIPTION

The Apollo® 70LF Series has the same rugged features as the industry standard 70 Series valves with the added advantage of Lead Free\* materials. The 70LF is ideal for plumbing and heating systems, including potable water. Trusted Apollo® performance with a wide range of popular options.

## FEATURES

- Lead Free\* Brass & Bronze Materials
- ANSI/NSF 61 Section 8 2008 180°F
- Easily Identifiable Blue "Lead Free" Hang Tag
- RPTFE Seats and Stuffing Box Ring
- Designed, Manufactured, and 100% Factory Tested in the USA

## PERFORMANCE RATING

- Maximum Pressure: 600 psig CWP 150 psig SWP
- Maximum Temperature: 450°F
- Vacuum Service to 29 in. Hg

## MODELS

- 70LF-100 Series      Standard
- 70LF-140 Series      316 SS Ball & Stem
- 70LF-150 Series      Balancing Stop

## STANDARD MATERIALS LIST

| Part Name      | Material  |
|----------------|---|
| Lever and Grip | Steel, Zinc Plated w/ Vinyl Grip  |
| Stem Packing   | RPTFE   |
| Stem Bearing   | RPTFE   |
| Ball           | C27450 Lead Free* Brass, Cr Plated  |
| Seat (2)       | RPTFE   |
| Retainer       | C27450 Lead Free* Brass (1/4" to 1")<br>C89836 Lead Free* Bronze (1-1/4" to 4") |
| Gland Nut      | B16 Brass   |
| Stem           | C27450 Lead Free* Brass   |
| Lever Nut      | Steel, Zinc Plated  |
| Body           | C89836 Lead Free* Bronze  |

## APPROVALS

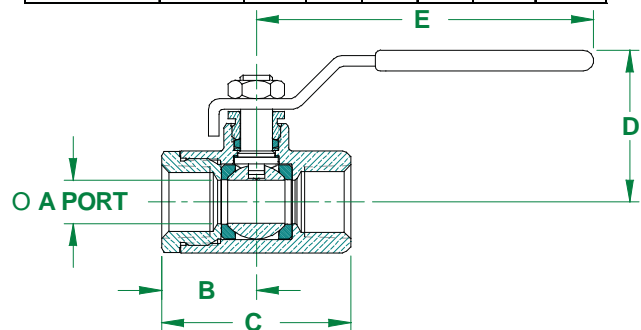
- MSS SP-110; Ball Valves Threaded, Socket-Welding, Solder Joint, Grooved and Flared Ends
- ANSI/NSF 61-8 2008 180°F (Mechanical Devices)
- ANSI 3<sup>rd</sup> Party Approval to AB 1953 0.25% Lead Max.
- CRN: OC10908.5C

**\*LEAD FREE:** The wetted surfaces of this product shall contain no more than 0.25% lead by weighted average. Complies with CA AB 1953 and VT S.152



## DIMENSIONS

| Part #    | Size (in.) | Dimensions |      |      |      |       | Wt. (lb.) |
|-----------|------------|------------|------|------|------|-------|-----------|
|           |            | A          | B    | C    | D    | E     |           |
| 70LF10101 | 1/4"       | 0.37       | 1.03 | 2.06 | 1.75 | 3.87  | 0.60      |
| 70LF10201 | 3/8"       | 0.37       | 1.03 | 2.06 | 1.75 | 3.87  | 0.56      |
| 70LF10301 | 1/2"       | 0.50       | 1.12 | 2.25 | 1.75 | 3.87  | 0.63      |
| 70LF10401 | 3/4"       | 0.68       | 1.50 | 3.00 | 2.12 | 4.87  | 1.39      |
| 70LF10501 | 1"         | 0.87       | 1.68 | 3.37 | 2.25 | 4.87  | 1.72      |
| 70LF10601 | 1-1/4"     | 1.00       | 2.00 | 4.00 | 2.62 | 5.50  | 3.26      |
| 70LF10701 | 1-1/2"     | 1.25       | 2.18 | 4.37 | 3.06 | 8.00  | 4.61      |
| 70LF10801 | 2"         | 1.50       | 2.34 | 4.68 | 3.25 | 8.00  | 6.06      |
| 70LF10901 | 2-1/2"     | 2.00       | 3.12 | 6.25 | 3.72 | 8.00  | 13.96     |
| 70LF10001 | 3"         | 2.50       | 3.37 | 6.75 | 4.12 | 8.00  | 18.60     |
| 70LF10A01 | 4"         | 3.12       | 3.68 | 7.37 | 5.25 | 10.00 | 25.50     |



## OPTIONS

- (-03) 1 1/4" CS Stem Extension      1/4" - 3"
- (-04) 2 1/4" CS Stem Extension      1/4" - 3"
- (-07) Steel Tee Handle      1/4" - 2"
- (-10) SS Lever & Nut      1/4" - 4"
- (-11) Thermo-Seal™ Insulating Tee Handle      1/4" - 2"
- (-27) SS Latch-Lock Lever & Nut      1/2" - 4"
- (-32) SS Tee Handle & Nut      1/2" - 2"
- (-47) SS Oval Latch-Lock Handle & Nut      1/2" - 1"



**Lead Free\***

# 70LF-200 SERIES

## Bronze Ball Valve - Solder

|                      |                               |
|----------------------|-------------------------------|
| <b>Job Name:</b>     | <b>Contractor:</b>            |
| <b>Job Location:</b> | <b>P.O. Number:</b>           |
| <b>Engineer:</b>     | <b>Representative:</b>        |
| <b>Tag:</b>          | <b>Wholesale Distributor:</b> |

### DESCRIPTION

The Apollo® 70LF Series has the same rugged features as the industry standard 70 Series valves with the added advantage of **Lead Free\*** materials. The 70LF is ideal for plumbing and heating systems, including potable water. Trusted Apollo® performance with a wide range of popular options.



### FEATURES

- **Lead Free\*** Brass & Bronze Materials
- ANSI/NSF 61 Section 8 2008 180°F
- Easily Identifiable Blue "Lead Free" Hang Tag
- RPTFE Seats and Stuffing Box Ring
- Chromium Plated Ball
- Designed, Manufactured and 100% Factory Tested in the USA

### PERFORMANCE RATING

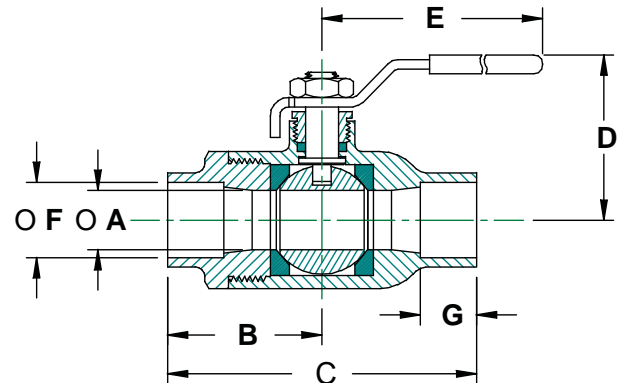
- Maximum Pressure: 600 psig CWP 150 psig SWP
- Maximum Temperature: 450°F
- Vacuum Service to 29 in. Hg

### STANDARD MATERIALS LIST

| Part Name      | Material   |
|----------------|--|
| Lever and Grip | Steel, Zinc Plated w/ Vinyl Grip   |
| Stem Packing   | RPTFE  |
| Stem Bearing   | RPTFE  |
| Ball           | C27450, Lead Free* Brass, Cr Plated  |
| Seat (2)       | RPTFE  |
| Retainer       | C27450 Lead Free* Brass (3/8" to 1")<br>C89836 Lead Free* Bronze (1-1/4" - 4") |
| Gland Nut      | B16 Brass  |
| Stem           | C27450 Lead Free* Brass  |
| Lever Nut      | Steel, Zinc Plated   |
| Body           | C89836 Lead Free* Bronze   |

### DIMENSIONS

| Part #    | Size (in.) | Dimensions |      |       |      |      |      |      |       | Wt (lbs.) |
|-----------|------------|------------|------|-------|------|------|------|------|-------|-----------|
|           |            | A          | B    | C     | D    | E    | F    | G    |       |           |
| 70LF20201 | 3/8"       | 0.37       | 1.28 | 2.56  | 1.75 | 3.87 | 0.51 | 0.37 | 0.63  |           |
| 70LF20301 | 1/2"       | 0.50       | 1.43 | 2.87  | 1.75 | 3.87 | 0.63 | 0.50 | 0.71  |           |
| 70LF20401 | 3/4"       | 0.68       | 1.93 | 3.87  | 2.12 | 4.87 | 0.88 | 0.75 | 1.44  |           |
| 70LF20501 | 1"         | 0.87       | 2.25 | 4.50  | 2.25 | 4.87 | 1.13 | 0.90 | 1.91  |           |
| 70LF20601 | 1-1/4"     | 1.00       | 2.31 | 4.62  | 2.62 | 5.50 | 1.38 | 0.96 | 2.95  |           |
| 70LF20701 | 1-1/2"     | 1.25       | 2.62 | 5.25  | 3.06 | 8.00 | 1.63 | 1.09 | 3.99  |           |
| 70LF20801 | 2"         | 1.50       | 3.18 | 6.37  | 3.25 | 8.00 | 2.13 | 1.34 | 5.71  |           |
| 70LF20901 | 2-1/2"     | 2.00       | 3.74 | 7.51  | 3.72 | 8.00 | 2.63 | 1.48 | 15.53 |           |
| 70LF20001 | 3"         | 2.50       | 4.12 | 8.25  | 4.12 | 8.00 | 3.13 | 1.67 | 16.74 |           |
| 70LF20A01 | 4"         | 3.13       | 5.65 | 10.26 | 5.22 | 9.94 | 4.13 | 2.16 | 27.93 |           |



### MODELS

- 70LF-200 Series      Standard
- 70LF-240 Series      316 SS Ball & Stem
- 70LF-250 Series      Balancing Stop

### APPROVALS

- MSS SP-110; Ball Valves
- ANSI/NSF 61-8 2008 180°F (Mechanical Devices)
- ANSI 3<sup>rd</sup> Party Approval to AB 1953 0.25% Lead Max.
- CRN: OC10908.5C

\* **LEAD FREE:** The wetted surfaces of this product shall contain no more than 0.25% lead by weighted average. Complies with CA AB 1953 and VT S.152

### OPTIONS & SIZES

- (-03) 1 1/4" CS Stem Extension      3/8" - 3"
- (-04) 2 1/4" CS Stem Extension      3/8" - 3"
- (-07) Steel Tee Handle      3/8" - 2"
- (-10) SS Lever & Nut      3/8" - 4"
- (-11) Thermo-Seal™ Insulating Tee Handle      3/8" - 2"
- (-27) SS Latch-Lock Lever & Nut      3/8" - 4"
- (-32) SS Tee Handle & Nut      3/8" - 2"
- (-47) SS Oval Latch-Lock Handle & Nut      3/8" - 1"
- (-48) SS Oval Handle (No Latch) & Nut      3/8" - 2"

Conbraco Industries, Inc. 701 Matthews Mint Hill Rd. Matthews NC 28106 USA; [www.apollovalves.com](http://www.apollovalves.com) ; 704-841-6000

This specification is provided for reference only. Conbraco reserves the right to change any portion of this specification without notice and without incurring obligation to make such changes to Conbraco products previously or subsequently sold.