



Lead Free*

Shop Apollo 94ALF

94ALF SERIES

Full-Port Brass Ball Valve

Job Name:	Contractor:
Job Location:	P.O. Number:
Engineer:	Representative:
Tag:	Wholesale Distributor:

DESCRIPTION

The Apollo International® 94ALF Lead Free* forged brass ball valve combines reliable operation with maximum economy. Ideal for plumbing and HVAC applications, including potable water. Valves are ANSI 3rd party certified and listed to NSF 61 and NSF 372.



FEATURES

- Lead Free* materials and certification
- Full-Port design
- Blow-out Proof Stem Design
- Adjustable Stem Packing Nut
- Silicone Free

PERFORMANCE RATING

- Valve Design Rating: 600 CWP – ¼ to 2”
400 CWP – 2-1/2” to 4”
- Temperature Range: -20°F to 400°F

MATERIALS

Part Name	Material
Body	Lead Free* Brass
Retainer	Lead Free* Brass
Ball	Lead Free* Brass
Stem	Lead Free* Brass
Seats	PTFE
Stem Packing	PTFE
Gland Nut	C37700
O-Ring	EPDM
Handle	Steel, plated (with PVC grip)
Handle Nut	Stainless Steel

APPROVALS

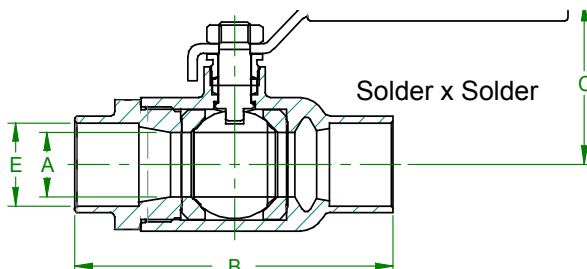
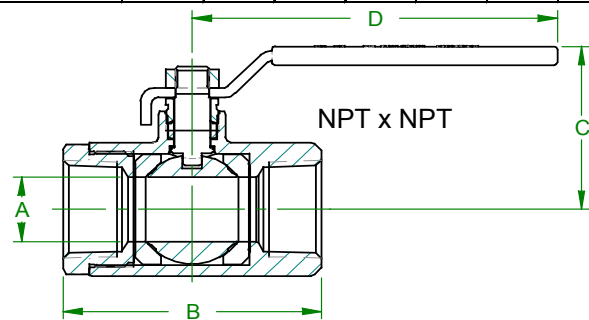
MSS SP-110; Ball Valves Threaded, Solder Joint.
IAPMO / ANSI listed to AB 1953, 0.25% Lead Max
NSF/ANSI 61-8, Annex G,
NSF 372 Lead Free* ANSI 3rd Party Certified



* **LEAD FREE:** The wetted surfaces of this product shall contain no more than 0.25% lead by weighted average. Complies with CA AB1953, VT Act 193, MD HB372, LA HB471 and Federal Public Law 111-380. ANSI 3rd party approved and listed..

DIMENSIONS

Part No.	Size	A	B	C	D	E	Wt. (lbs.)
NPT							
94ALF10101	1/4"	0.39	1.73	1.58	3.55	-	0.29
94ALF10201	3/8"	0.39	1.75	1.58	3.78	-	0.30
94ALF10301	1/2"	0.59	2.15	1.78	3.78	-	0.44
94ALF10401	3/4"	0.79	2.48	2.13	3.98	-	0.64
94ALF10501	1"	0.98	3.07	2.52	4.41	-	1.10
94ALF10601	1-1/4"	1.26	3.44	2.65	5.04	-	1.63
94ALF10701	1-1/2"	1.58	3.79	3.12	6.22	-	2.39
94ALF10801	2"	1.97	4.35	3.41	6.22	-	3.51
94ALF10901	2-1/2"	2.56	5.22	4.72	9.45	-	7.08
94ALF10001	3"	2.95	5.77	5.32	9.45	-	8.79
94ALF10A01	4"	3.90	7.38	5.70	9.53	-	17.07
SOLDER							
94ALF20301	1/2"	0.59	2.01	1.78	3.78	0.63	0.40
94ALF20401	3/4"	0.79	2.74	2.13	3.98	0.88	0.66
94ALF20501	1"	0.98	3.35	2.52	4.41	1.13	1.15
94ALF20601	1 1/4"	1.26	3.78	2.65	5.04	1.38	1.53
94ALF20701	1 1/2"	1.58	4.42	3.12	6.22	1.63	2.31
94ALF20801	2"	1.97	5.34	3.41	6.22	2.13	3.84
94ALF20901	2 1/2"	2.56	6.22	4.72	9.45	2.63	6.79
94ALF20001	3"	2.95	7.13	5.32	9.45	3.13	8.67



Conbraco Industries, Inc. 701 Matthews Mint Hill Rd. Matthews NC 28106 USA; www.apollovalves.com ; 704-841-6000

This specification is provided for reference only. Conbraco reserves the right to change any portion of this specification without notice and without incurring obligation to make such changes to Conbraco products previously or subsequently sold.