

SERIES 355N (T) - 365N (L) DIRECT MOUNT 3 WAY BALL VALVE

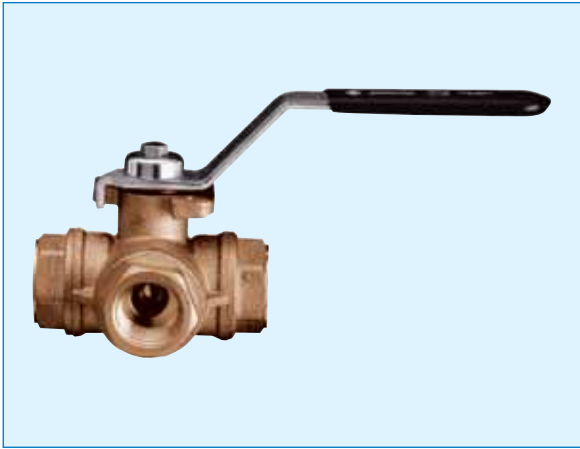


Three way brass ball valve with ISO 5211 pad for actuator, standard port, from 1/4" to 3".

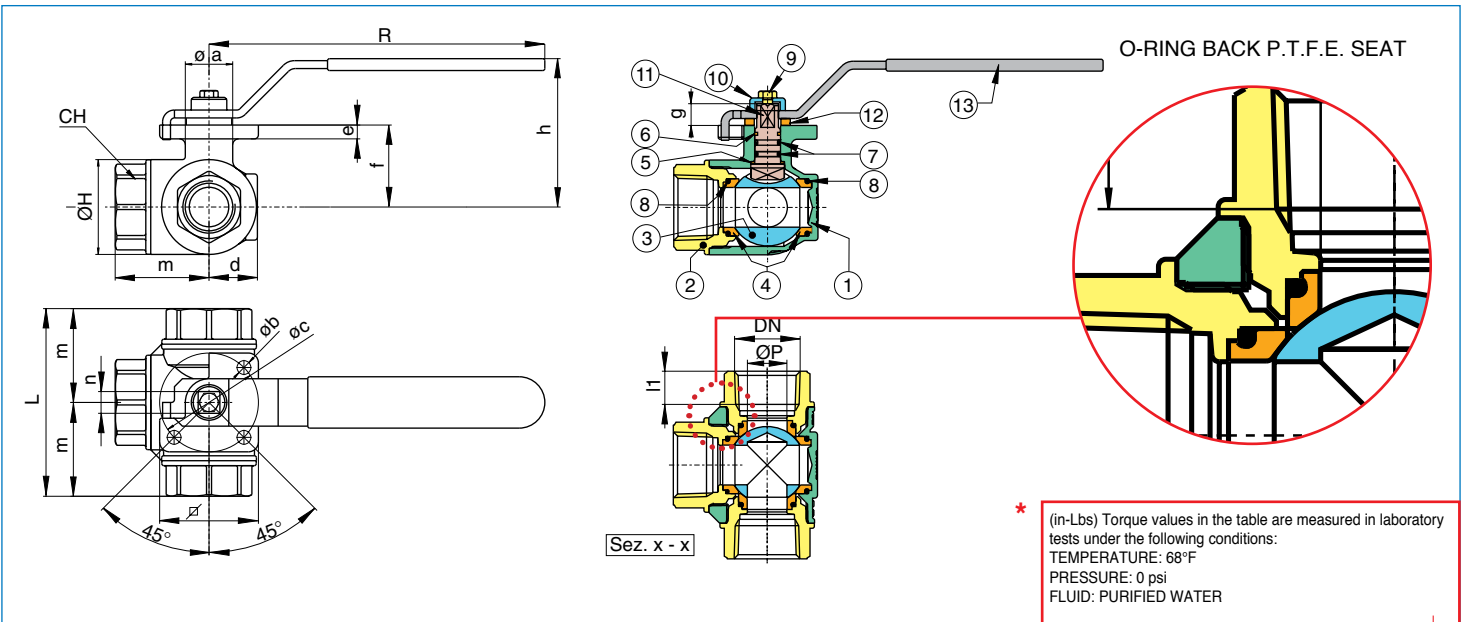
- Four seat design for sealing under pressurized ports.
- Pressure rating 400 WOG - 100 WSP.
- Model 355N (90° and 180° flow path).
- Model 365N (90° with off position).
- Temperature up to 344°F.
- Blow out proof stem, chrome plated brass ball.
- P.T.F.E seats with O-ring backing for low operating torque.
- P.T.F.E seats and double O-ring stem packing.
- 100% electronically tested in the open and closed position at 80 psi.

355N: LEVER HANDLE - size 1/4" to 3", "T" flow pattern.

365N: LEVER HANDLE - size 1/4" to 3", "L" flow pattern.



MEETS THE DESIGN CRITERIA OF MSS_SP_110.



N POS	PART NAME	MATERIAL	N PCS
1	BODY	BRASS CW 617 NUNI EN 12165	1
2	END CONNECTION	BRASS CW 617 NUNI EN 12165	3
3	BALL	BRASS CW 617 NUNI EN 12165	1
4	BALL SEAT	P.T.F.E	4
5	THRUST WASHER	P.T.F.E	1
6	STEM SEAL	P.T.F.E	1
7	O-RING STEM	FKM (Viton®)	1
8	O-RINGS BODY	FKM (Viton®)	4
9	SCREW	STEEL 6/S	1
10	BUSH	BRASS CW 614 NUNI EN 12164	1
11	STEM	BRASS CW 614 NUNI EN 12164	1
12	WASHER	NYLON	1
13	HANDLE	Fe DD 11 UNI EN 10111	1

SIZE	ØP	ØH	l1	L	m	CH	R	h	Øa	Øb	Øc	d	e	f	g	∠	n	CV 355N	CV 365N	psi	Lbs	* in-Lbs
1/4"	0.39	1.34	0.39	2.64	1.32	0.86	4.72	2.44	0.87	0.23	1.42 (ISO F03)	0.77	0.20	1.20	0.35	1.49	0.35	3.26	3.50	400	1.22	53.10
3/8"	0.43	1.34	0.40	2.64	1.32	0.86	4.72	2.44	0.87	0.23	1.42 (ISO F03)	0.77	0.20	1.20	0.35	1.49	0.35	3.50	4.08	400	1.16	53.10
1/2"	0.43	1.34	0.53	2.87	1.44	1.06	4.72	2.44	0.87	0.23	1.42 (ISO F03)	0.77	0.20	1.20	0.35	1.49	0.35	4.20	5.02	400	1.21	53.10
3/4"	0.59	1.53	0.55	3.19	1.60	1.25	4.72	2.52	0.87	0.23	1.42 (ISO F03)	0.87	0.20	1.29	0.35	1.49	0.35	7.00	7.70	400	1.44	53.10
1"	0.79	1.89	0.66	3.74	1.87	1.61	6.69	2.95	0.94	0.27	1.97 (ISO F05)	1.00	0.28	1.63	0.43	1.97	0.43	12.83	14.24	400	2.64	150.46
1 1/4"	0.98	2.36	0.68	4.39	2.20	1.96	6.69	3.17	0.94	0.27	1.97 (ISO F05)	1.22	0.28	1.85	0.43	1.97	0.43	18.67	19.72	400	4.15	150.46
1 1/2"	1.26	2.83	0.68	4.86	2.43	2.16	6.69	3.66	1.26	0.27	1.97 (ISO F05)	1.79	0.28	2.34	0.43	1.97	0.43	29.75	30.69	400	6.02	150.46
2"	1.57	3.38	0.70	5.73	2.87	2.75	9.05	4.43	1.46	0.35	2.76 (ISO F07)	1.75	0.32	2.90	0.59	2.75	0.55	43.76	48.58	400	9.08	274.37
2 1/2"	1.95	4.37	0.93	6.93	3.47	3.34	9.05	4.86	1.46	0.35	2.76 (ISO F07)	2.20	0.32	3.35	0.59	2.75	0.55	70.00	72.35	400	16.33	380.58
3"	1.95	4.45	1.01	7.08	3.54	4.13	9.05	4.86	1.46	0.35	2.76 (ISO F07)	2.20	0.32	3.35	0.59	2.75	0.55	70.00	72.35	400	19.55	380.58