

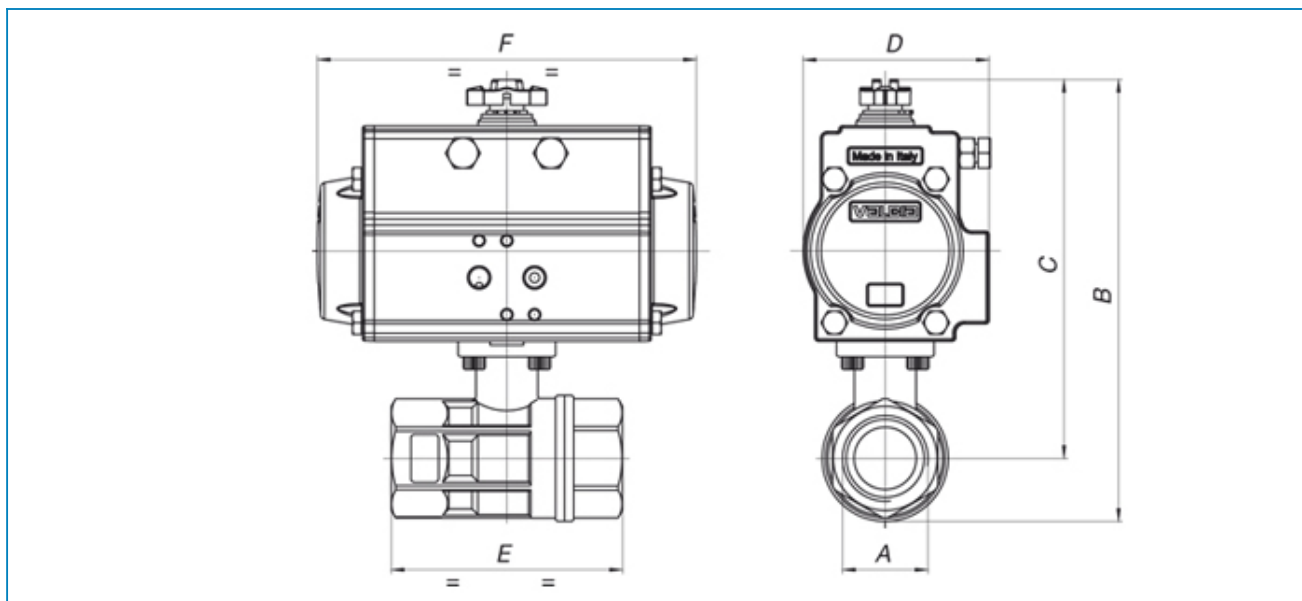


Serie **PNEUMATIC ACTUATORS**

Articolo **8P0080 - 8P0082**

- DA - SR actuator with 2 way brass ball valve direct mount (RB 250N).

- OPERATING CONDITIONS: fluid H2O - T 68°F - Actuator P 90 ÷ 100 PSI



Art. 8P0080 (to 1/4" from 2")

VALVE WITH DOUBLE ACTING ACTUATOR

PSI	600	600	600	600	600	600	600	600	600	600	600
DN - A	1/4"	3/8"	1/2"	3/4"	1"	1 1/4"	1 1/2"	2"	2 1/2"	3"	4"
B	4.53	4.53	4.56	4.72	5.31	5.67	7.48	8.70	10.20	10.98	13.58
C	3.86	3.86	3.86	3.94	4.37	4.49	6.54	6.89	7.95	8.31	10.31
D	1.77	1.77	1.77	1.77	1.77	1.77	2.80	2.80	3.17	3.17	4.17
E	2.64	2.64	2.64	2.99	3.35	3.66	4.13	4.80	6.10	6.89	8.03
F	4.33	4.33	4.33	4.33	4.33	4.33	5.55	5.55	6.46	6.38	9.47
ACT.	DA 32	DA 32	DA 32	DA 32	DA 32	DA 32	DA 52	DA 52	DA 63	DA 63	DA 85

Art. 8P0082 (to 1/4" from 2")

VALVE WITH SPRING RETURN ACTUATOR

PSI	600	600	600	600	600	600	600	600	600	600	600
DN - A	1/4"	3/8"	1/2"	3/4"	1"	1 1/4"	1 1/2"	2"	2 1/2"	3"	4"
B	5.94	5.94	5.94	6.14	6.77	7.09	8.43	9.13	11.46	12.24	14.09
C	5.28	5.28	5.28	5.35	5.79	5.94	6.97	7.32	9.21	9.57	10.83
D	2.80	2.80	2.80	2.80	2.80	2.80	3.17	3.17	4.17	4.17	4.84
E	2.64	2.64	2.64	3.00	3.35	3.66	4.13	4.80	6.10	6.89	8.03
F	5.55	5.55	5.55	5.55	5.55	5.55	6.46	6.46	9.47	9.47	10.83
ACT.	SR 52	SR 52	SR 52	SR 52	SR 52	SR 52	SR 63	SR 63	SR 85	SR 85	SR 100