

JFE SERIES

- Small and compact
- NEMA 4
- High speed operating time
- 2SPDT switches
- ISO 5211
- Open & close indication
- 4/20 in/out



ELECTRIC ACTUATOR



The Right Valve • The Right Application • Right now!

14 De Camp Avenue
Cincinnati, OH 45216 USA
513-731-2900 (t) 513-731-6963 (f)
sales@jflowcontrols.com
www.jflowcontrols.com

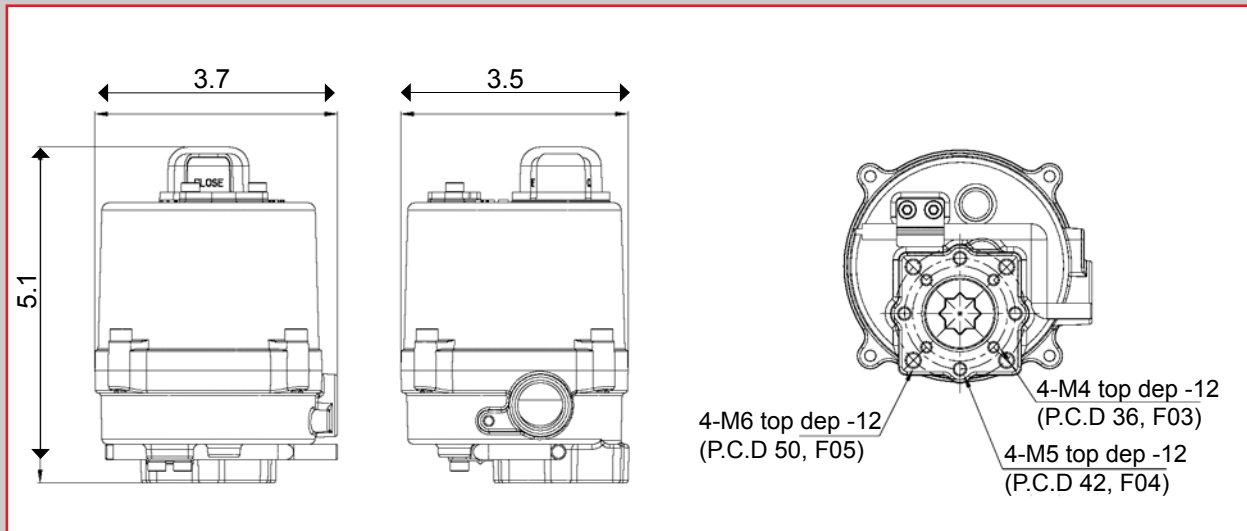
PERFORMANCE

Model	Output Torque		Operating Time 60/50Hz	Supplying power (60/50Hz, 1 phase)	Duty Cycle IEC34-1	Electric Motor Stop	Weight (lbs)
	lb-ft	in-lbs	90°				
JFE001	10.8	132	2 sec	AC 95 - 245V or DC 24V	70%	2A	2.6
JFE002	18.0	220	3 sec				
JFE003	28.9	352	6 sec				

ORDERING SCHEMATIC

Series	Seconds	NEMA	Voltage	Duty
JFE001	2	4	V1 = 120-240 VAC V2 = 24VDC V3 = 12VDC	70
JFE002	3			
JFE003	6			

DIMENSION



CONNECTING WIRING

