

# BUTTERFLY VALVE

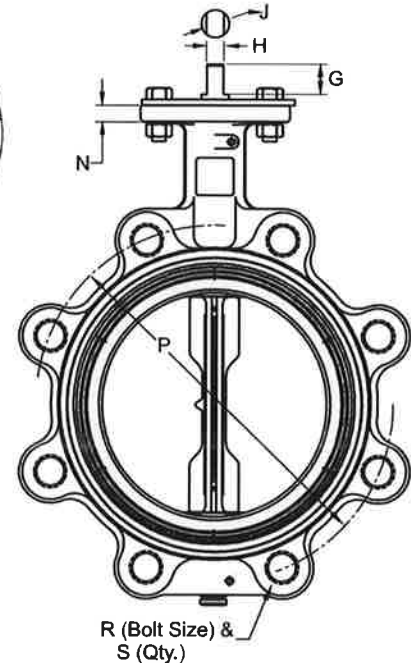
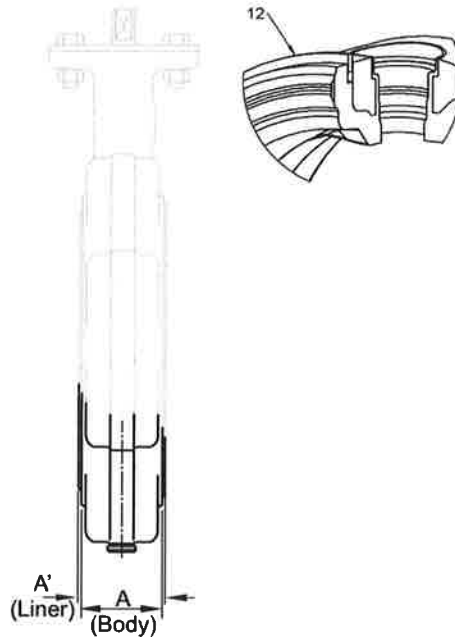
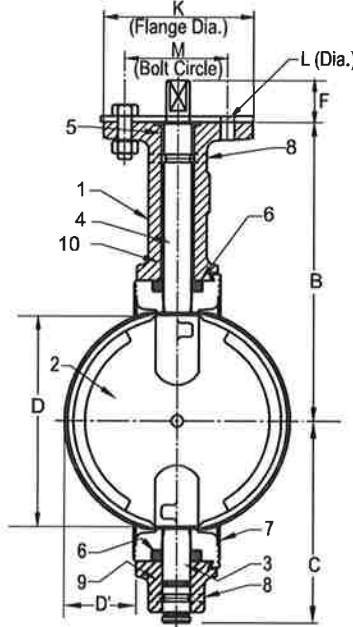
# CL SERIES-REV. D\*

**2"-12" - 200 PSI (1380 kPa)**

Bi-Directional Dead End Service to 200 PSI Max.  
Field Repairable.

## SPECIFICATIONS

MSS SP-67  
API-609



Approved by U.S. Coast Guard for use in Category A service as described in Title 46 Code of Federal Regulations 56.20-15.

## DIMENSIONS

	INCHES	2	2-1/2	3	4	5	6	8	10	12
	mm	50	65	80	100	125	150	200	250	300
<b>A (Body)</b>	<b>INCHES</b>	<b>1.69</b>	<b>1.81</b>	<b>1.81</b>	<b>2.07</b>	<b>2.19</b>	<b>2.19</b>	<b>2.38</b>	<b>2.69</b>	<b>3.06</b>
	mm	42.9	46.1	46.0	52.5	55.6	55.6	60.3	68.3	78.0
<b>A' (Liner)</b>	<b>INCHES</b>	<b>1.82</b>	<b>1.94</b>	<b>1.94</b>	<b>2.20</b>	<b>2.32</b>	<b>2.31</b>	<b>2.51</b>	<b>2.82</b>	<b>3.21</b>
	mm	46.1	49.1	49.1	55.8	58.8	58.7	63.6	71.5	82.0
<b>B</b>	<b>INCHES</b>	<b>5.50</b>	<b>6.00</b>	<b>6.25</b>	<b>7.00</b>	<b>7.53</b>	<b>8.00</b>	<b>9.38</b>	<b>10.56</b>	<b>12.06</b>
	mm	139.7	152.4	158.8	177.8	191.3	203.2	238.1	268.3	306.4
<b>C</b>	<b>INCHES</b>	<b>3.06</b>	<b>3.31</b>	<b>3.75</b>	<b>4.25</b>	<b>4.94</b>	<b>5.56</b>	<b>6.56</b>	<b>7.88</b>	<b>9.25</b>
	mm	77.8	84.1	95.3	108.0	125.4	141.3	166.7	200.0	235.0
<b>D (Chord Dia)</b>	<b>INCHES</b>	<b>1.49</b>	<b>2.01</b>	<b>2.64</b>	<b>3.67</b>	<b>4.71</b>	<b>5.66</b>	<b>7.72</b>	<b>9.70</b>	<b>11.68</b>
	mm	37.8	51.1	67.1	93.2	119.6	143.8	196.1	246.4	296.7
<b>D' (Intrusion)</b>	<b>INCHES</b>	<b>0.28</b>	<b>0.44</b>	<b>0.69</b>	<b>1.06</b>	<b>1.50</b>	<b>1.94</b>	<b>2.84</b>	<b>3.69</b>	<b>4.50</b>
	mm	7.1	11.1	17.5	27.0	38.1	49.2	72.2	93.7	114.3
<b>F</b>	<b>INCHES</b>	<b>1.13</b>	<b>1.13</b>	<b>1.13</b>	<b>1.13</b>	<b>1.13</b>	<b>1.13</b>	<b>1.50</b>	<b>1.50</b>	<b>1.50</b>
	mm	28.6	28.6	28.6	28.6	28.6	28.6	38.1	38.1	38.1
<b>G</b>	<b>INCHES</b>	<b>0.81</b>	<b>0.81</b>	<b>0.81</b>	<b>0.81</b>	<b>0.81</b>	<b>0.81</b>	<b>1.06</b>	<b>1.06</b>	<b>1.06</b>
	mm	20.6	20.6	20.6	20.6	20.6	20.6	27.0	27.0	27.0
<b>H</b>	<b>INCHES</b>	<b>0.35</b>	<b>0.35</b>	<b>0.35</b>	<b>0.40</b>	<b>0.40</b>	<b>0.44</b>	<b>0.53</b>	<b>0.71</b>	<b>0.71</b>
	mm	8.9	8.9	8.9	10.2	10.2	11.2	13.5	18.0	18.0
<b>J</b>	<b>INCHES</b>	<b>0.50</b>	<b>0.50</b>	<b>0.50</b>	<b>0.56</b>	<b>0.56</b>	<b>0.62</b>	<b>0.75</b>	<b>1.00</b>	<b>1.00</b>
	mm	12.6	12.6	12.6	14.2	14.2	15.8	19.0	25.4	25.4
<b>K</b>		<b>4</b>	<b>4</b>	<b>4</b>	<b>4</b>	<b>4</b>	<b>4</b>	<b>6</b>	<b>6</b>	<b>6</b>
<b>L (Dia)</b>	<b>INCHES</b>	<b>0.44</b>	<b>0.44</b>	<b>0.44</b>	<b>0.44</b>	<b>0.44</b>	<b>0.44</b>	<b>0.56</b>	<b>0.56</b>	<b>0.56</b>
	mm	11.1	11.1	11.1	11.1	11.1	11.1	14.3	14.3	14.3
<b>M</b>	<b>INCHES</b>	<b>3.25</b>	<b>3.25</b>	<b>3.25</b>	<b>3.25</b>	<b>3.25</b>	<b>3.25</b>	<b>5.00</b>	<b>5.00</b>	<b>5.00</b>
	mm	82.6	82.6	82.6	82.6	82.6	82.6	127.0	127.0	127.0
<b>N</b>	<b>INCHES</b>	<b>0.44</b>	<b>0.44</b>	<b>0.44</b>	<b>0.44</b>	<b>0.44</b>	<b>0.44</b>	<b>0.50</b>	<b>0.50</b>	<b>0.50</b>
	mm	11.1	11.1	11.1	11.1	11.1	11.1	12.7	12.7	12.7
<b>P</b>	<b>INCHES</b>	<b>4.75</b>	<b>5.50</b>	<b>6.00</b>	<b>7.50</b>	<b>8.50</b>	<b>9.50</b>	<b>11.75</b>	<b>14.25</b>	<b>17.00</b>
	mm	120.7	139.7	152.4	190.5	215.9	241.3	298.5	362.0	431.8
<b>R</b>		<b>5/8-11</b>	<b>5/8-11</b>	<b>5/8-11</b>	<b>5/8-11</b>	<b>3/4-10</b>	<b>3/4-10</b>	<b>3/4-10</b>	<b>7/8-9</b>	<b>7/8-9</b>
<b>S</b>		<b>4</b>	<b>4</b>	<b>4</b>	<b>8</b>	<b>8</b>	<b>8</b>	<b>8</b>	<b>12</b>	<b>12</b>

ITEM	PARTS NAME	MATERIAL
1	BODY	CAST IRON-ASTM A126 CL B
2	DISC	ALUMINUM BRONZE- ASTM B148
3	BOTTOM STEM	STAINLESS STEEL TYPE 416
4	TOP STEM	STAINLESS STEEL TYPE 416
5	TOP BEARING	REINFORCED NYLON
6	SEAL	EPDM
7	LINER	EPDM
8	ROLL PIN	STAINLESS STEEL
9	STEM SEAL	EPDM
10	LOWER BEARING	REINFORCED NYLON
11	OPERATOR	LEVER HANDLE (EPOXY COATED LEVER)
		GEAR OPERATOR
		GEAR OPERATOR WITH MEMORY STOP
		GEAR OPERATOR WITH LOCK
		ACTUATOR-AIR/AIR
		ACTUATOR-AIR/SPRING
12	RETAINING RING	1066 SPRING STEEL (65Mn)

**\*Note:** The wetted surface of this product (in any material combination) contacted by consumable water contains less than one quarter of one percent (.25%) of lead by weight.

The information presented on this sheet is correct at the time of publication. Milwaukee Valve reserves the right to change design, and/or material specifications without notice. For the Installation, Operation and Maintenance Manual (IOM) see the engineering section on our website. For the most current information access [www.milwaukeevalve.com](http://www.milwaukeevalve.com)



**C L 2 2 3 E**

**VALVE SERIES**  
C - C SERIES

**BODY STYLE**  
L - LUG BODY  
W - WAFER BODY

**OPERATOR**  
1 - VALVE ONLY  
2 - LEVER HANDLE  
3 - GEAR OPERATOR

**BODY MATERIAL**  
2 - CAST IRON\*

**DISC MATERIAL**  
3 - ALUMINUM/BRONZE

**LINER MATERIAL**  
E - EPDM

\* MILWAUKEE VALVE RESERVES THE  
RIGHT TO UPGRADE TO DI BODY  
WITHOUT NOTICE FOR NO ADDITIONAL  
COST.