



ECO-VALVE

Figure # 246AB

Low Lead Brass Swing Check Valve

Product Features

- 200# WOG
- Forge Brass Body
- Threaded Ends
- Horizontal "T" pattern
- NSF-61-G & NSF-372 Certified



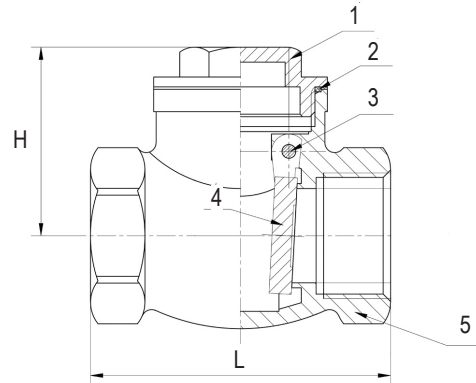
Certified to ANS/NSF 61



Pressure/Temperature Rating	
200# WOG	450°F Max. Temp

Materials & Specifications

Item	Description	Material	Specification
1	Cap	Low Lead Brass	C28500
2	Gasket	PTFE	PTFE
3	Pin	Low Lead Brass	C28500
	Screw	Brass	
4	Disc	Low Lead Brass	C28500
5	Body	Low Lead Brass	C28500



Dimensions, Weights (inches-lbs.) & Valve Data

Size	1/2	3/4	1	1-1/4	1-1/2	2	2-1/2"	3	4
H	1.41	1.46	1.78	2.05	2.30	2.78	3.20	3.45	4.18
L	2.07	2.38	2.84	3.23	3.74	4.21	5.60	6.05	7.00
Wt	1.13	1.32	1.62	2.14	2.55	3.35	4.90	7.75	11.65

RED-WHITE VALVE CORP.

20600 Regency Lane, Lake Forest, CA 92630

TEL: 949.859.1010 • FAX: 949.859.7200 • www.redwhitevalvecorp.com

(140624)