



Figure # 435

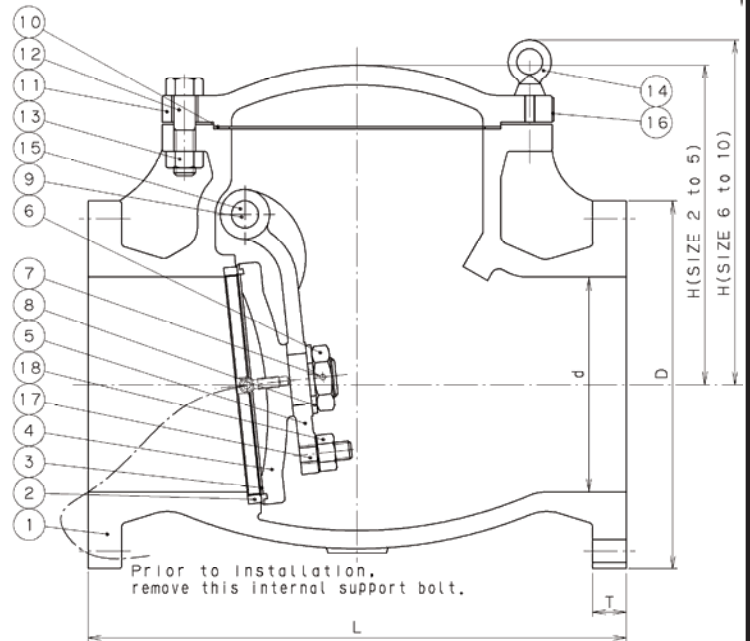
Cast Iron Flanged Swing Check Valve (2"-12")

Product Features

- 125# WSP / 200# WOG
- Cast Iron Body
- Flanged Ends per ANSI B16.5
- IBBM
- Bolted Cap
- MSS-SP-71

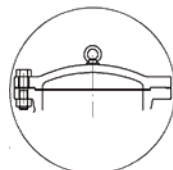
Materials & Specifications

Item	Description	Material	Specification
1	Body	Cast Iron	A126-B
2	Seat Ring	Bronze	B62-C83600
3	Disc Ring	Bronze	B62-C83600
4	Disc	Cast Iron	A126-B
5	Hinge	Cast Steel	A216-WCB
6	Nut	Steel	A563-A
7	Pin	Stainless Steel	304
8	Washer	Stainless Steel	A276-410
9	Hinge Pin	Stainless Steel	304
10	Gasket	Compressed Sheet	Non-asbestos
11	Cover / Cap	Steel	A36
12	Cover Bolt	Steel	A307-B
13	Cover Nut	Steel	A563-A
14	Eye Bolt (6-12")	Steel	A36
15	Plug	Steel	A307-B
16	Name Plate	Aluminum	B209
17	Stop Bolt	Steel	A307-B
18	Stop Nut	Steel	A563-A

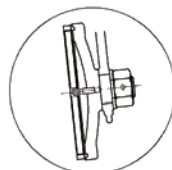


Dimensions, Weights (inches-lbs.) & Valve Data

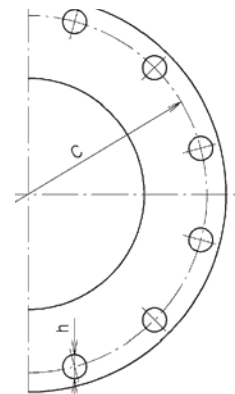
Size	2	2-1/2	3	4	5	6	8	10	12
C	4.75	5.5	6	7.5	8.5	9.5	11.75	14.25	17
D	6	7	7.5	9	10	11	13.5	16	19
d	2	2.5	3	4	5	6	8	10	12
G	5/8	5/8	5/8	5/8	3/4	3/4	3/4	7/8	7/8
H	6.0	6.38	6.93	8.66	8.9	12.09	12.8	15.12	16.77
h	.75	.75	.75	.75	.88	.88	.88	1	1
L	8	8.5	9.5	11.5	13	14	19.5	24.5	27.5
N = Qty	4	4	4	8	8	8	8	12	12
T	.62	.69	.75	.94	.94	1	1.12	1.19	1.25
Cv	110	143	206	440	575	830	1500	2370	3470
Wt.- lbs.	31	44	55	86	130	154	279	407	595



SIZES 6 & 8



SIZES 2 to 8



BOLT DIA...C
NUMBER...N

