



**Figure # 4660**

3 pc. Stainless Ball Valve (1/2"-2")

**Product Features**

- 1000# WOG/100# WSP
- 316 Stainless Steel 3-Piece Body
- Threaded Ends
- Full Port
- Blow-Out Proof Stem
- Reinforced PTFE seats
- MSS-SP-110

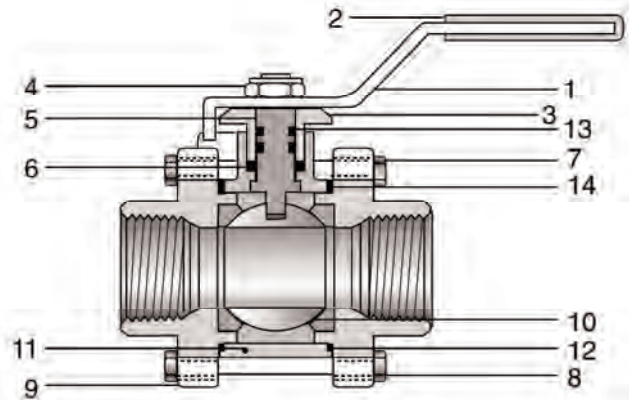


**Pressure/Temperature Ratings**

100 PSI max steam/ 1000# WOG	360 degrees F. max temp.
------------------------------	--------------------------

**Materials & Specifications**

Item	Description	Material	Specification
1	Lever	Stainless Steel	A276 304
2	Lever Sleeve	Vinyl	-
3	Gland Nut	Stainless Steel	A276 304
4	Lever Nut	Stainless Steel	A276 304
5	Stem	Stainless Steel	A276 316
6	Packing	PTFE	-
7	Body Bolt	Stainless Steel	
8	Body Nut	Stainless Steel	
9	Body Cap	Stainless Steel	A316 CF8M
10	Ball	Stainless Steel	A276 316
11	Body	Stainless Steel	A316 CF8M
12	Seat	PTFE	-
13	Packing Seal	NBR O-ring	-
14	Seal	PTFE	-



**Dimensions, Weights (inches-lbs.) & Valve Data**

Size	1/4	3/8	1/2	3/4	1	1-1/4	1-1/2	2
d	.45	.49	.6	.78	.98	1.26	1.5	1.97
E	3.9	3.9	4.1	4.7	5.9	6.3	7.1	7.1
H	2.1	2.1	2.3	2.6	2.9	3.5	3.8	4.1
L	2.7	2.7	2.9	3.3	3.6	4.4	4.7	5.8
Wt.- lbs.	1	1	1.5	2	2.6	4.7	5	9.3

