



ECO-VALVE

Figure # 5592AB

Low Lead Brass Ball Valve

Product Features

- 150# WSP / 600# WOG
- Low Lead Brass Body
- Full Port
- Adjustable Packing
- Threaded Ends
- Blow-Out Proof Stem
- CSA 1/2 PSI
- NSF-61-G & NSF-372 Certified

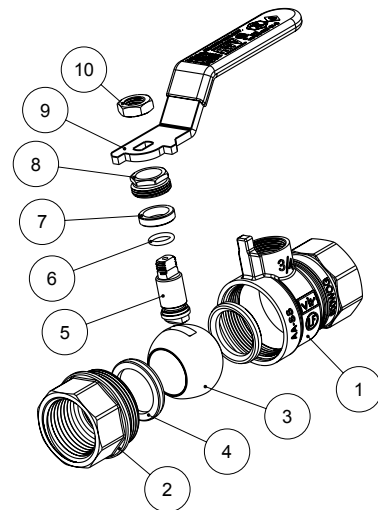


Certified to
ANSI/NSF 61



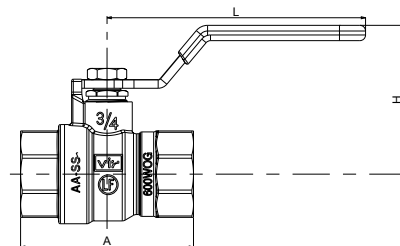
Pressure/Temperature Rating	
600 PSI from 15°F to 160°F	150 PSI MAX at 366°F

Connection Working Pressure				
Solder used in joints	Working Temp deg. °F	Maximum working pressure (PSI)		
		3/8" - 1"	1-1/4" - 2"	2-1/2" - 3"
95-5 Tin Antimony (ASTM B32 grade 95TA)	100	500	400	300
	150	400	350	275
	200	300	250	200
	250	200	175	150



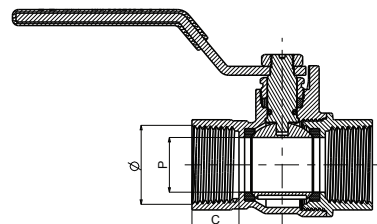
Materials & Specifications

Item	Description	Material	Specification
1	Body	Low Lead Brass	CW510L
2	End piece	Low Lead Brass	CW510L
3	Ball	Low Lead Brass/Cr Plated	CW510L
4	Seat	PTFE	PTFE
5	Stem	Low Lead Brass	CW510L
6	O-ring	FKM	FKM
7	Packing	PTFE	PTFE
8	Packing nut	Brass	B124 C37700
9	Handle	Dacromet Steel	A36 Dacromet
10	Handle nut	Zinc Plated Steel	A36



Dimensions, Weights (inches-lbs.) & Valve Data

Size	1/4	3/8	1/2	3/4	1	1-1/4	1-1/2	2	2-1/2	3
A	1.77	1.77	2.17	2.40	2.91	3.31	3.54	4.09	5.31	6.02
C	0.45	0.45	0.61	0.63	0.75	0.77	0.79	1.06	1.14	1.20
H	1.54	1.54	1.93	2.05	2.36	2.60	2.87	3.25	4.17	4.53
L	3.19	3.19	3.58	3.58	4.96	4.96	5.55	5.55	7.91	11.06
P	0.39	0.39	0.50	0.73	0.95	1.22	1.46	1.95	2.44	2.91
Cv	8	8	11	26	55	103	111	353	409	530
Wt	0.28	0.28	0.43	0.59	1.01	1.40	1.91	3.05	6.33	8.50



RED-WHITE VALVE CORP.

20600 Regency Lane, Lake Forest, CA 92630

TEL: 949.859.1010 • FAX: 949.859.7200 • www.redwhitevalvecorp.com

(150203)