



Figure # 889
Stainless Y-Strainer (1/2"-2")

Product Features

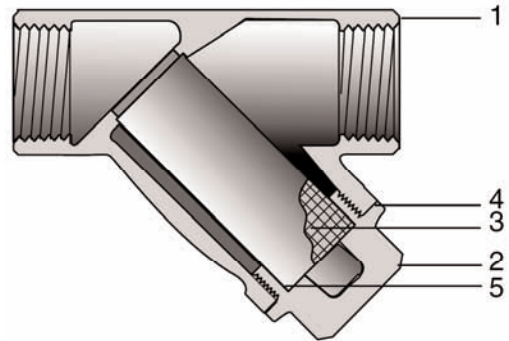
- 200# WSP/WOG
- Stainless Steel Body & Trim
- Threaded Ends
- Perforation Screen



Pressure/Temperature Ratings	
200# WSP/WOG	350 degrees F. max temp.

Materials & Specifications

Item	Description	Material	Specification
1	Body	Stainless Steel	A351 CF8M
2	Cap	Stainless Steel	A351 CF8M
3	Screen	Stainless Steel	A276 - 316
4	Gasket	PTFE	-
5	Screen Stop	Stainless Steel	A276 - 304



Dimensions, Weights (inches-lbs.) & Valve Data

Size	1/2	3/4	1	1-1/4	1-1/2	2
H	2	2.36	2.76	3.29	3.58	4.65
L	3	3.66	4.26	4	5.63	6.82
L1	2.36	2.79	3.3	3.82	4.21	5.51
Wt.- lbs.	.77	1.3	1.98	3.19	4.31	7.22

