



77W-HC SERIES

APOLLO-PRESS®

Hose Cap Ball Valve

Job Name:	Contractor:
Job Location:	P.O. Number:
Engineer:	Representative:
Tag:	Wholesale Distributor:

DESCRIPTION

The Apollo-Press™ Press x Hose Cap & Chain ball valves are designed for direct mechanical connection to ASTM B88-Type K, L, and M copper tubing in the hard drawn condition for sizes 1/2" - 3/4". Valves feature a 3/4" hose connection with heavy brass cap to protect the threads. The 77W-HC is ideal for most plumbing and heating systems, including potable water.

FEATURES

- Full-Port
- Adjustable Stem Packing
- Fast, Easy, Economical Installation
- Blow-Out Proof Stem
- Corrosion Resistant Materials
- Heavy brass cap is full pressure rated
- 100% Factory Tested
- Ridgid® "XL" Press Tool Compatible
- Made in U.S.A.

PERFORMANCE RATING

- Maximum Operating Pressure 200 psi
- Design Pressure 600 psi
- Temperature Range 0°F-200°F

MATERIAL SPECIFICATIONS

Part Name	Material
Body	Cast Bronze C89836
Seat	Multi-Fill PTFE
Ball	ASTM B16 Brass, plated
Stem Packing	Multi-Fill PTFE
Nut	Corrosion Resistant Plated Steel
Stem	Brass, ASTM B16, UNS# C36000
Retainer	Brass, ASTM B16, UNS# C36000
Cap	Brass, ASTM B16, UNS# C36000
Handle	Plated Steel/Insulated Polyvinyl
Gland	Brass, ASTM B16, UNS# C36000
O-Ring	EPDM

APPROVED APPLICATIONS

- Potable Water
- Hydronic Heating (50% glycol max)
- Not compatible with soft annealed copper tubing

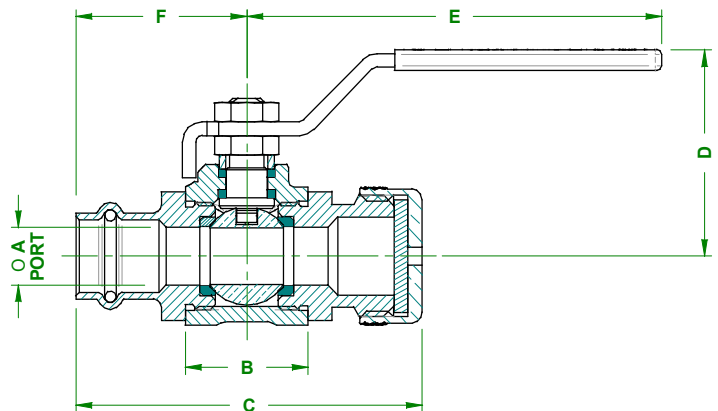
APPROVALS

- MSS SP-110 Ball Valves
- NSF/ANSI 61-8
- Directive 2002/95/CE (RoHS) Compliant



DIMENSIONS (in)

PART #	SIZE	A	B	C	D	E	F	WT. (LBS.)
77W103HC	1/2"	0.50	1.54	3.12	1.80	3.74	1.54	0.61
77W104HC	3/4"	0.75	1.72	3.45	2.01	4.78	1.78	1.16



OPTIONS

- (-04) 2 1/4" Stem Extension
- (-07) Tee-Handle
- (-10) Stainless Steel Handle and Nut
- (-11) Therma-Seal™ Insulating Tee Handle
- (-18) Plain Yellow Grip
- (-92) Balancing Stop
- (-94) 2 1/4" Stem Extension and Balancing Stop
- (77W-140-HC SERIES) S.S. Ball and Stem

Conbraco Industries, Inc. 701 Matthews Mint Hill Rd. Matthews NC 28106 USA; www.apollovalves.com; 704-841-6000

This specification is provided for reference only. Conbraco reserves the right to change any portion of this specification without notice and without incurring obligation to make such changes to Conbraco products previously or subsequently sold.