

SERIES 100002 - 100003 IN-LINE CHECK VALVE

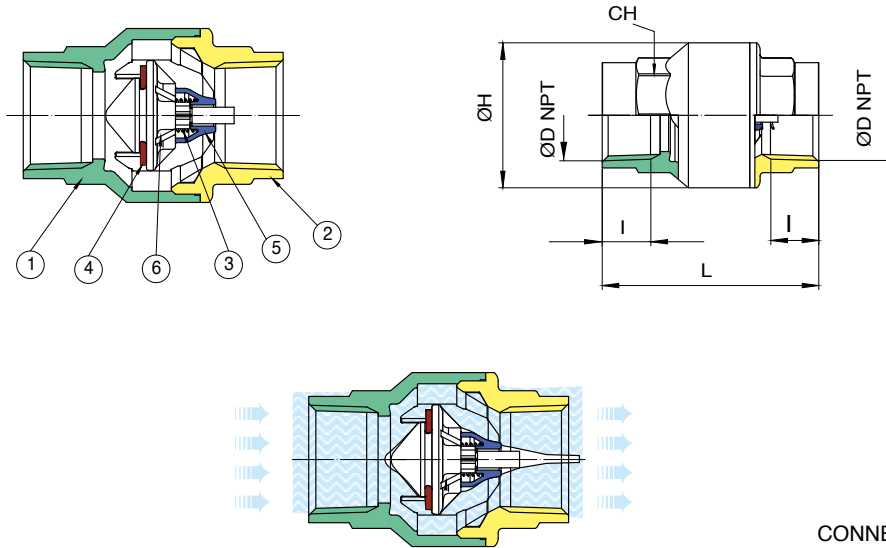
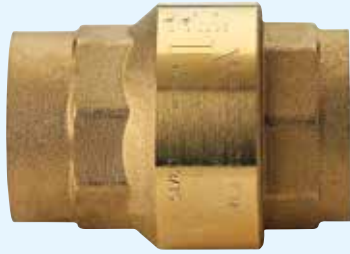


- High capacity, size 1/4"-2" 400 WOG / 2"1/2-4" 175 WOG.
- Soft seat for bubble tight shutoff, spring loaded for fast seating action.
 - Low cracking pressure 1/2 psi.
 - Flow pattern to minimize head loss.
 - Perfect sealing both at high and low pressure wide temperature range: +10° to 210°F.
 - High technology materials to ensure best resistance in any condition.
 - Patented disc to prevent side loading.
 - Connection: female/female.
 - Not to be used for drinking water.

100002: NBR for water, oils and general purpose.

100003: With Viton® seal for fuels and hydrocarbons.

Max working TEMPERATURE 366°F/125 psi steam.



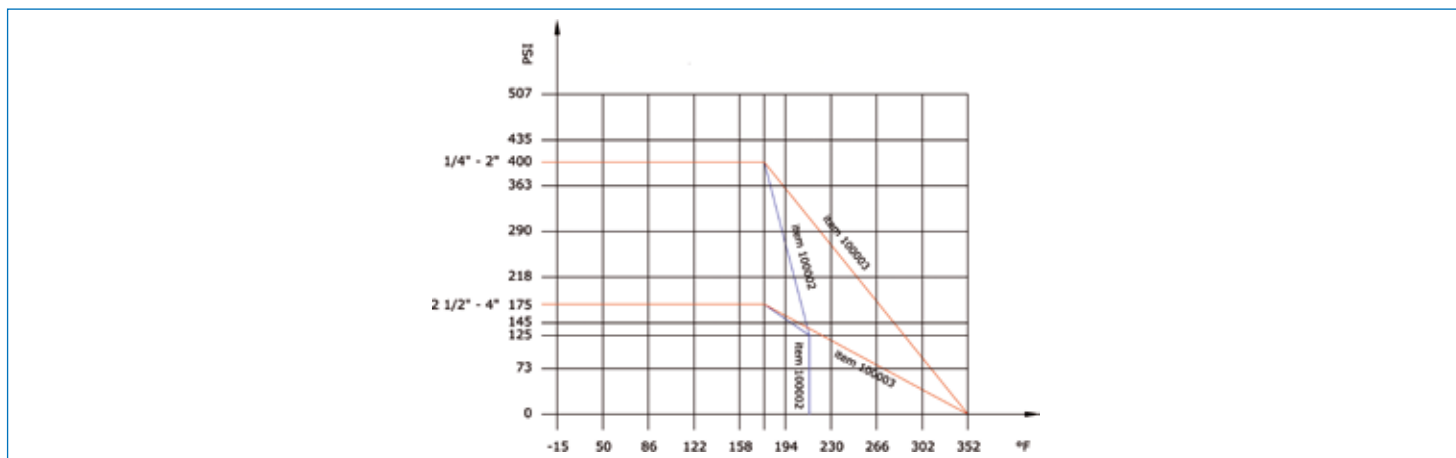
CONNECTION: ANSI B 1.20.1

N Pos	PART NAME	MATERIAL	N PCS
1	BODY	BRASS CW 617N UNI EN 12165	1
2	END CONNECTION	BRASS CW 617N UNI EN 12165	1
3	SPRING	STAINLESS STEEL	1
4	SEAT	100002 NBR	1
		100003 FKM (Viton®)	1
5	SUPPORT	POM	1
6	DISC	POLYETHERIMIDE	1

SIZE	A	ØB	ØC	I	CH	CV	psi	Lbs
1/4" *	1.73	0.79	1.06	0.39	0.79	4.55	400	0.22
3/8"	1.73	0.79	1.06	0.40	0.79	4.55	400	0.37
1/2"	2.32	0.98	1.35	0.53	0.98	6.00	400	0.32
3/4"	2.56	1.20	1.65	0.55	1.22	11.00	400	0.49
1"	2.76	1.48	1.93	0.66	1.50	16.90	400	0.68
1"1/4	2.93	1.87	2.40	0.68	1.89	27.40	400	1.13
1"1/2	3.17	2.10	2.87	0.68	2.12	39.10	400	1.61
2"	3.37	2.68	3.46	0.69	2.64	60.70	400	2.28
2"1/2	4.37	3.23	4.39	0.93	3.27	98.40	175	4.83
3"	4.86	3.84	5.24	1.01	3.86	158.00	175	6.70
4"	5.41	5.00	6.42	1.09	5.04	225.40	175	12.43

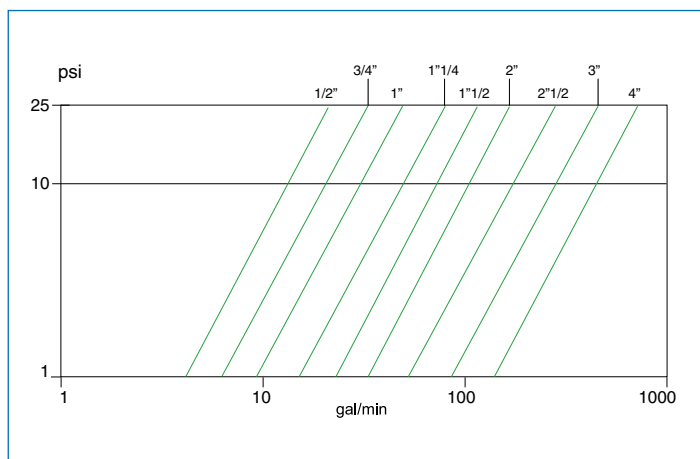
* Art. 100003 not available in 1/4" size.

PRESSURE - TEMPERATURE CHART CHECK VALVES

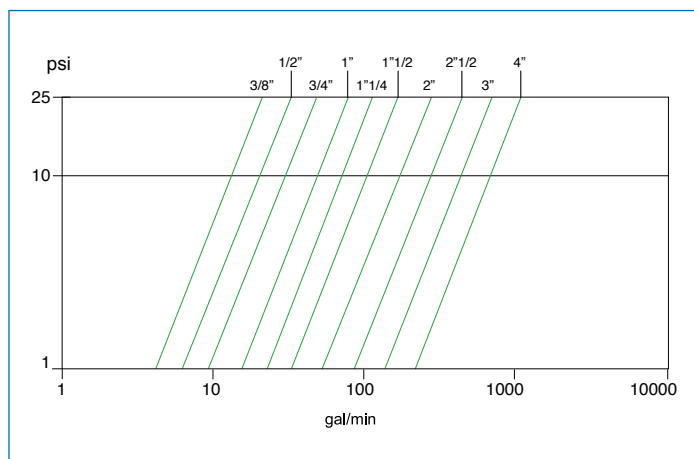


— Art. 100002-100012-100612-100712
 — Art. 100003

FLOW-RATE CHART FOR CHECK VALVES



For art. 100202



For art. 100002-100003