

NEW



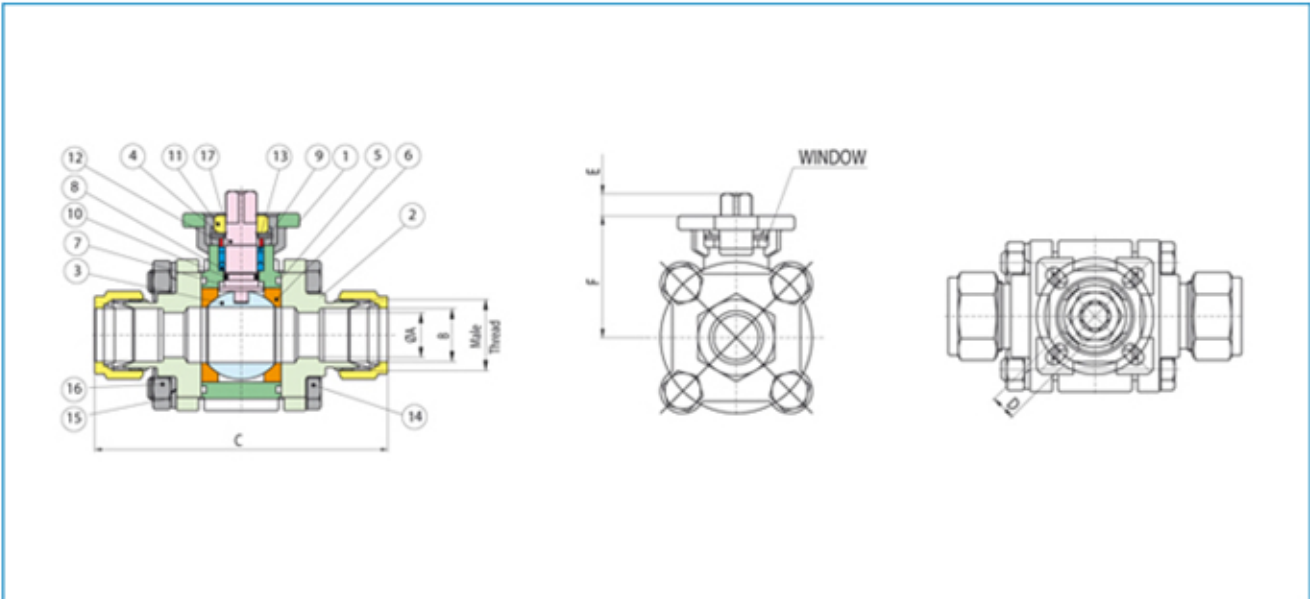
Serie Direct Mount 2 Way Ball Valve

Articolo **1300**

BONOMI NORTH AMERICA

2 way 3 piece stainless steel standard port instrument valve.

- Standard port sizes 1/4" to 3/4".
- Working pressure to 2000 PSI.
- Temperature range -40° F to 450° F.
- High performance adjustable packing.
- ISO 5211 mounting pad.
- Extremely high cycle life.
- Compression ends with heat treated ferrules.



N POS	PART NAME	MATERIAL	N PCS
1	BODY	CF8M	1
2	END CAP	CF8M	2
3	BALL	SS316	1
4	STEM	SS316	1
5	PACKING	P.T.F.E	2
6	SEAT	TFM1600	2
7	STEM SEAL	P.T.F.E	1
8	V-RING PACKING	P.T.F.E	1 SET
9	BUSHING	50%SS-50%P.T.F.E	1
10	O-RING	VITON	1
11	STEM NUT	SS304	1
12	GLAND	SS304	1
13	BELLEVILLE WASHER	SS304	2
14	BOLT	SS304	4
15	WASHER	SS304	4
16	BOLT NUT	SS304	4
17	LOCK SADDLE	SS304	1

SIZE	ØA	B	C	D	E	F	ISO 5211	Cv	in/Lbs	Lbs
1/4"	0.18	0.26	3.74	0.35	0.35	1.60	F03/F04	5.3	46	0.8
3/8"	0.25	0.38	3.79	0.35	0.35	1.60	F03/F04	8	46	0.9
1/2"	0.37	0.51	4.02	0.35	0.35	1.60	F03/F04	19	46	0.9
3/4"	0.63	0.75	4.02	0.35	0.35	1.60	F03/F04	35	58	1.2