

NEW

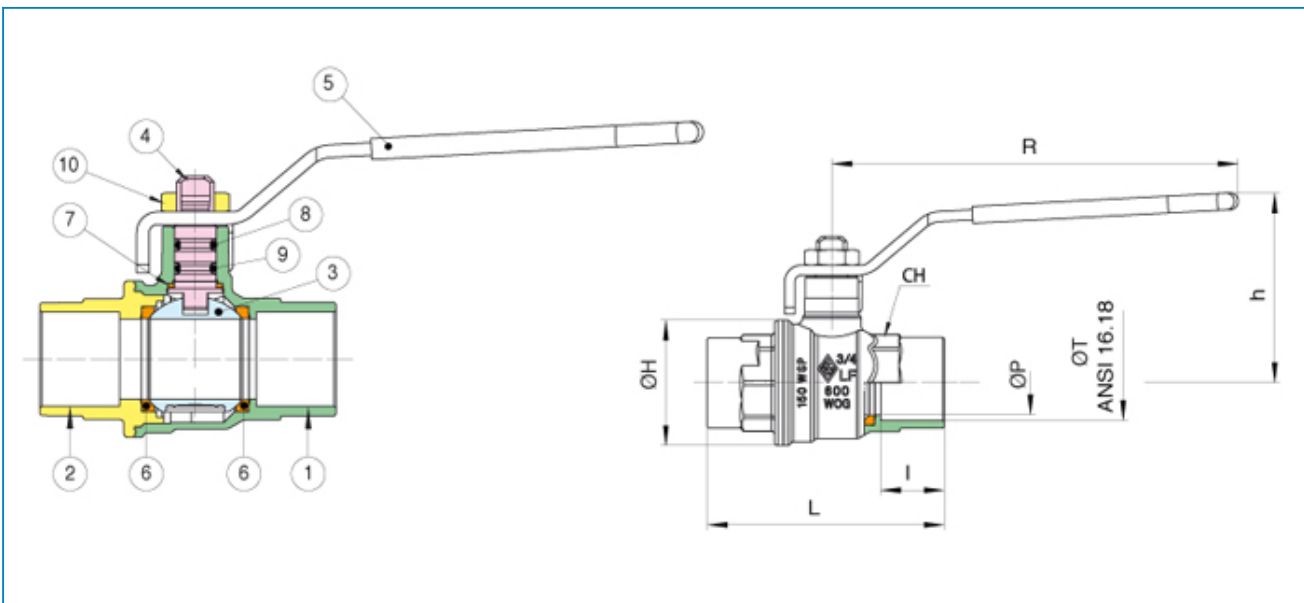


Serie **COMPACT STYLE**

Articolo **1615 LF**

- Brass ball valve with solder ends, full port sizes 1/2" up to 3".
- Pressure rating 600 WOG - 150 WSP.
- Temperature up to 366°F.
- Blow out proof stem, chrome plated brass ball.
- P.T.F.E. seats and double O-ring stem packing.
- 100% electronically tested in the open and closed position at 80 psi.

MEETS THE DESIGN CRITERIA OF
MSS_SP_110.



* lead free refers to the wetted surface of pipe, fittings and fixtures in potable water systems that have a weighted average lead content= 0,25%. Source: California health & Safety code (116875). Vermont Act 193.

N Pos	PART NAME	MATERIAL	N PCS
1	BODY	BRASS CW 510L *	1
2	END CONNECTION	BRASS CW 510L *	1
3	BALL	BRASS CW 510L * S.STEEL 1.4401 (2"1/2 to 4")	1
4	STEM	BRASS CW 510L *	1
5	HANDLE	STEEL DD11	1
6	BALL SEAT	P.T.F.E	2
7	THRUST WASHER	P.T.F.E	1
8	O-RING	NBR	1
9	O-RING	FKM	1
10	NUT	STEEL CL 04	1

SIZE	ØP	I	ØT	L	ØH	CH	R	h	psi	Lbs
1/2"	0.55	0.50	0.63	2.19	1.22	0.87	3.78	1.77	600	0.39
3/4"	0.75	0.75	0.88	2.78	1.46	1.06	4.76	2.22	600	0.63
1"	0.94	0.91	1.13	3.37	1.76	1.34	4.76	2.32	600	0.95
1"1/4	1.19	0.97	1.38	3.86	2.11	1.69	5.94	2.85	600	1.79
1"1/2	1.50	1.10	1.63	4.48	2.64	1.97	5.94	3.09	600	2.58
2"	1.95	1.34	2.13	5.33	3.39	2.44	6.30	3.70	600	5.03
2"1/2	2.44	1.48	2.63	6.14	4.09	3.27	8.07	4.59	600	8.80
3"	2.99	1.67	3.13	7.17	4.96	3.54	8.07	4.98	600	12.87

