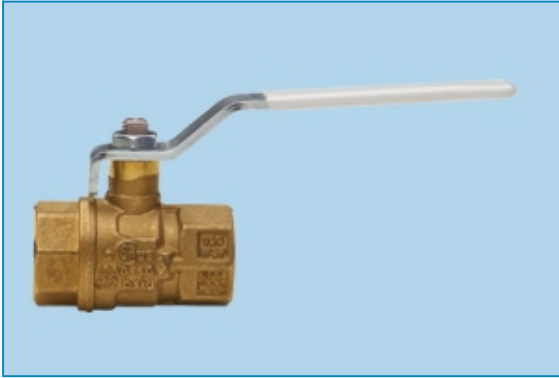


NEW

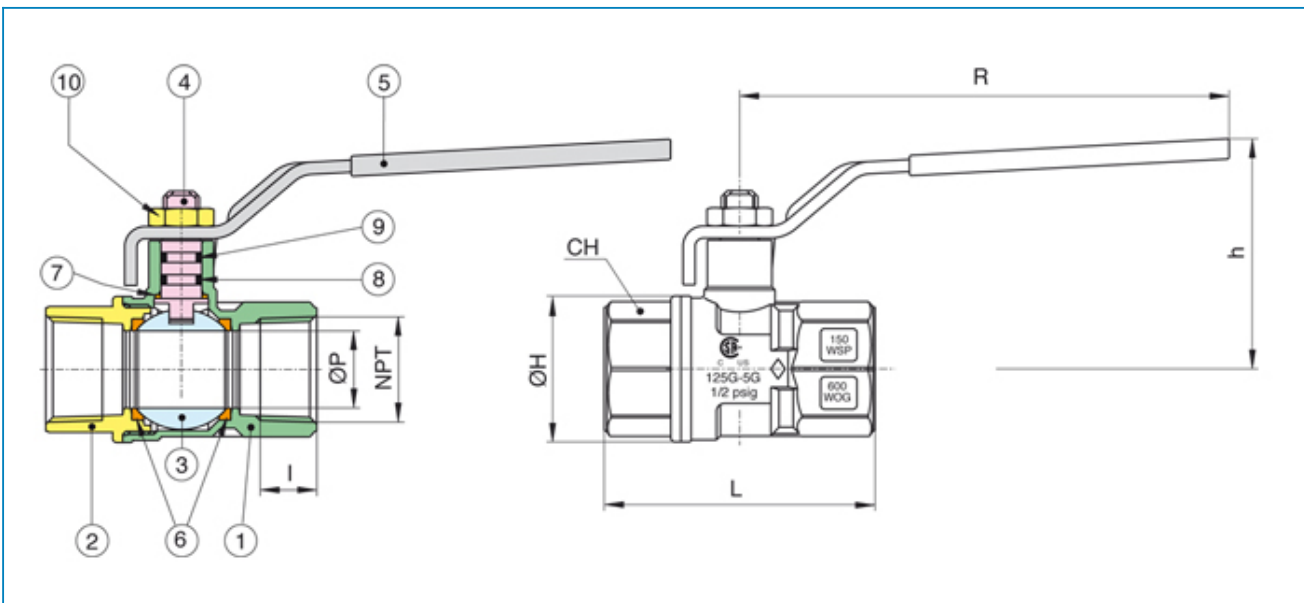


Serie **COMPACT STYLE**

Articolo **161N LF**

- Brass ball valve, female/female, full port sizes 1/2" up to 4".
- Pressure rating 600 WOG - 150 WSP.
- Temperature up to 366°F.
- Blow out proof stem, chrome plated brass ball.
- P.T.F.E. seats and double O-ring stem packing.
- 100% electronically tested in the open and closed position at 80 psi.

MEETS THE DESIGN CRITERIA OF MSS_SP_110.



* lead free refers to the wetted surface of pipe, fittings and fixtures in potable water systems that have a weighted average lead content= 0,25%. Source: California health & Safety code (116875). Vermont Act 193. *171NLF

N Pos	PART NAME	MATERIAL	N PCS
1	BODY	BRASS CW 510L *	1
2	END CONNECTION	BRASS CW 510L *	1
3	BALL BALL (2"1/2 to 4")	BRASS CW 510L * STEEL 1.4401	1 1
4	STEM	BRASS CW 510L *	1
5	HANDEL	STEEL DD11	1
6	BALL SEAT	P.T.F.E	2
7	THRUST WASHER	P.T.F.E	1
8	O-RING	NBR	1
9	O-RING	FKM	1
10	NUT	STEEL CL04	1

SIZE	ØP	I	L	ØH	CH	R	h	CV	psi	Lbs
1/4"*	0.39	0.39	2.02	0.90	0.78	3.86	1.65	6.29	600	0.33
3/8"*	0.39	0.39	2.02	0.90	0.78	3.86	1.65	6.99	600	0.30
1/2"	0.55	0.41	2.22	1.18	0.98	3.78	1.69	19.00	600	0.42
3/4"	0.75	0.54	2.46	1.42	1.22	4.76	2.22	34.50	600	0.71
1"	0.94	0.55	3.01	1.71	1.50	4.76	2.32	50.18	600	0.99
1"1/4	1.19	0.68	3.37	2.09	1.89	5.94	2.85	103.70	600	1.74
1"1/2	1.50	0.68	3.70	2.56	2.13	5.94	3.09	268.40	600	2.45
2"	1.95	0.70	4.33	3.39	2.64	6.30	3.70	309.20	600	4.85

2 1/2"	2.44	0.93	5.16	4.09	3.27	8.07	4.59	624.00	600	8.22
3"	2.99	1.02	5.94	4.96	3.86	8.07	4.98	1.009	600	13.07
4"	3.94	1.09	7.60	6.54	4.92	10.312	6.54	1.622	600	27.34