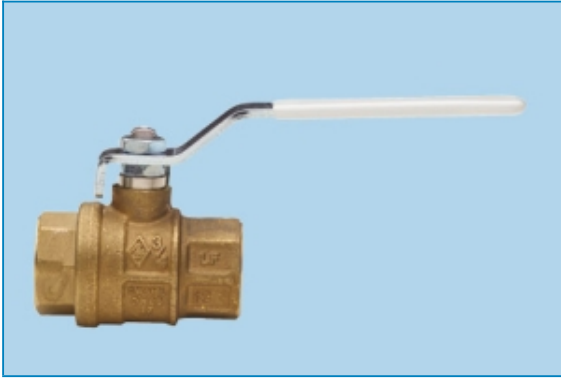


NEW



Serie **COMMERCIAL STYLE**

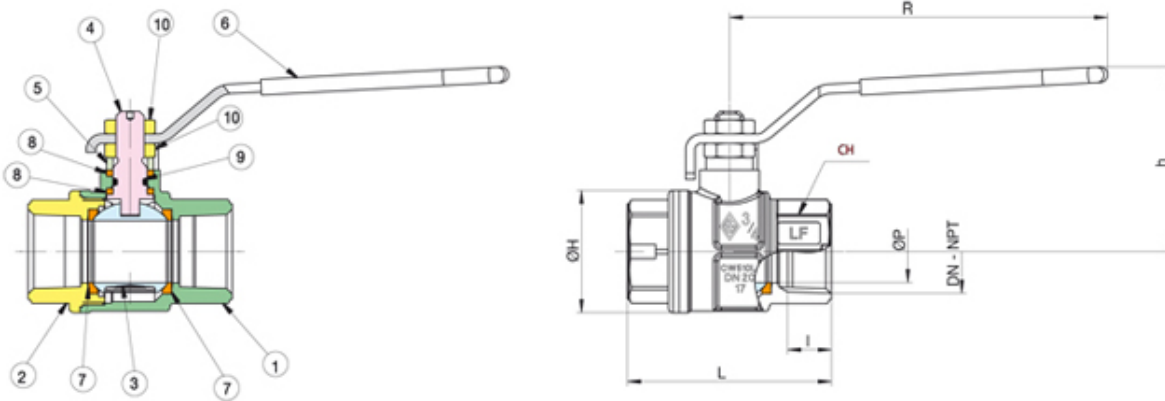
Articolo **171N LF**

Brass ball valve, female/female, full port sizes 1/2" to 2", steel handle, green grip.

- Pressure rating 600 WOG - 150 WSP.
- Temperature to 366°F.
- Blow out proof stem, chrome plated brass ball.
- P.T.F.E. seats, seals, and thrust washer.
- Adjustable stem packing.
- 100% electronically tested in the open and closed position at 80 psi.
- We recommend the valve use in fully open or closed, not in mid position, and to maneuver the valve at least twice a year.

171S LF: Ball and stem in stainless steel AISI 316 - size 1/4" - 2".

CONNECTION: ANSI B 1.20.1



The Buna O-ring is fitted to the stem of the valve as the best possible protection against potential gas leakage under extreme duty, or low pressure applications. A secondary PTFE stem seal will also assure that the valve is suitable for use up to 366°

N Pos	PART NAME	MATERIAL	N PCS
1	BODY	LOW LEAD BRASS *	1
2	END CONNECTION	LOW LEAD BRASS *	1
3	BALL	LOW LEAD BRASS * TEA COATED	1
4	STEM	LOW LEAD BRASS *	2
5	PACKING GLAND	BRASS CW 614N UNI EN 12164	2
6	HANDLE	STEEL DD11	1
7	BALL SEAT	P.T.F.E	1
8	THRUST WASHER/STEM SEAT	P.T.F.E	2
9	O-RING	NBR	1
10	NUT	STEEL CL04	1

* lead free refers to the wetted surface of pipe, fittings and fixtures in potable water systems that have a weighted average lead content= 0,25%.Source: California health & Safety code (116875). Vermont Act 193

SIZE	ØP	I	CH	ØH	L	H	R	CV	psi	Lbs
1/4"	0.39	0.39	2.02	0.90	0.78	3.86	1.65	6.29	600	0.33

3/8"	0.39	0.39	2.02	0.90	0.78	3.86	1.65	6.29	600	0.33
1/2"	0.59	0.54	0.98	1.30	2.34	1.81	3.78	18.84	600	0.46
3/4"	0.79	0.55	1.22	1.54	2.57	2.28	4.76	34.10	600	0.77
1"	0.98	0.66	1.50	1.93	3.07	2.44	4.76	49.71	600	1.19
1"1/4	1.26	0.68	1.89	2.32	3.43	2.99	5.94	102.88	600	2.12
1"1/2	1.57	0.68	2.13	2.87	3.90	3.23	5.94	265.88	600	3.20
2"	1.95	0.70	2.64	3.43	4.37	3.74	6.30	306.34	600	4.08
2"1/2*	2.40	0.93	5.59	4.37	3.54	8.07	4.84	629.00	600	8.28
3"*	2.87	1.01	6.54	5.35	4.13	8.07	5.23	1018.00	600	13.00
4"*	3.82	1.09	7.60	6.35	5.12	10.24	6.49	1622.00	600	22.07

*161NLF