

## SERIES 1970 LF FOR WATER SERVICE

Full port ball valve with EURO-PRESS connections from 1/2" - 2", steel handle, white grip.

- Test pressure rating 600 CWP-working pressure 200 psi.
- Temperature range -4° F to 250° F.
- Blow out proof stem, chrome plated brass ball.
- P.T.F.E seats, seals, and thrust washer.
- Valve to be used in fully open or fully closed position.
- Adjustable stem packing
- 100% electronically tested in the open and closed position at 80 psi.
- Made in lead free dezincification resistant brass (LF-DZR).
- NEW: press alert O-rings.

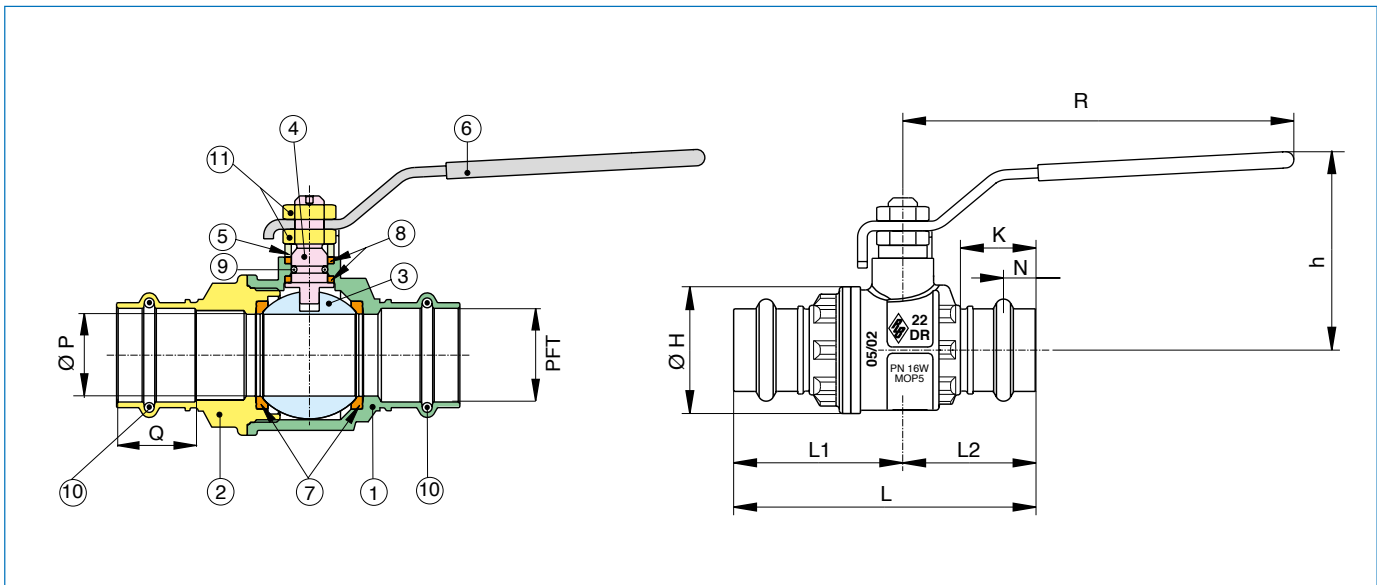
For size 2"1/2, 3" and 4" see 1670XLC LF



HEALTH EFFECTS US-CA  
NSF 372  
NSF 61 Ann.G



200 WOG  
IN PROGRESS



N Pos	PART NAME	MATERIAL	N PCS
1	BODY	DZR LOW LEAD BRASS *	1
2	END CONNECTION	DZR LOW LEAD BRASS *	1
3	BALL	LOW LEAD BRASS * TEA COATED	1
4	STEM	LOW LEAD BRASS *	1
5	PACKING GLAND	BRASS CW 614N	1
6	HANDLE	STEEL DD11	1
7	BALL SEAT	P.T.F.E.	2
8	STEM SEAL/THRUST WASHER	P.T.F.E.	2
9	O-RING	NBR	1
10	O-RING	EPDM	2
11	NUT	STEEL CL 04	2

PFT	ØP	Q	K	N	ØH	L	L1	L2	h	R	CV	psi MAX. WORK PRESS	psi MAX. TEST PRESS	Lbs
1/2"	0.59	0.71	0.67	0.31	1.30	3.13	1.71	1.42	1.89	3.86	18.84	200	600	0.49
3/4"	0.79	0.91	0.83	0.39	1.54	3.66	2.05	1.61	2.28	4.80	34.10	200	600	0.82
1"	0.98	0.94	0.83	0.39	1.93	4.13	2.32	1.81	2.44	4.80	49.71	200	600	1.25
1"1/4	1.26	1.02	0.83	0.39	2.32	4.41	2.44	1.97	3.07	6.02	102.88	200	600	1.98
1"1/2	1.57	1.42	1.02	0.49	2.87	5.63	2.91	2.72	3.35	6.02	265.88	200	600	3.40
2"	1.95	1.57	1.20	0.59	3.39	6.52	3.41	3.11	3.80	6.38	306.34	200	600	4.50

\* lead free refers to the wetted surface of pipe, fittings and fixtures in potable water systems that have a weighted average lead content= 0,25%.  
Source: California health & Safety code (116875). Vermont Act 193.